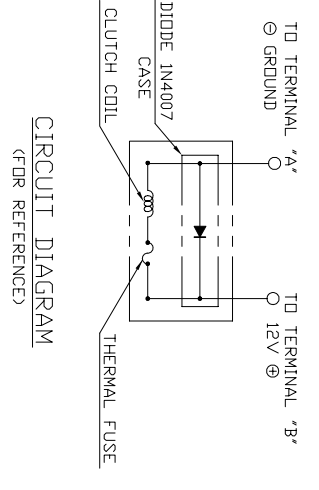
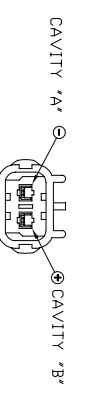
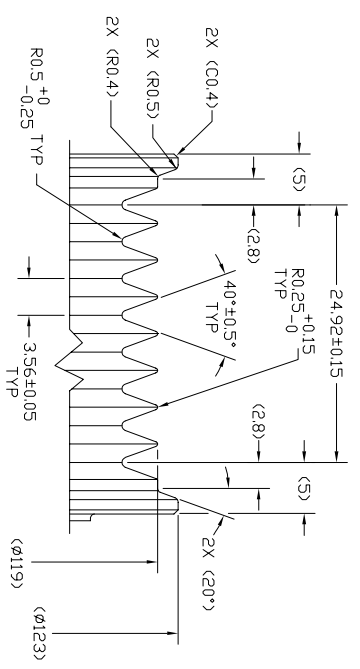


PRJN	REV	DATE	APPRV	REV	DATE	APPRV	REV	DATE	APPRV

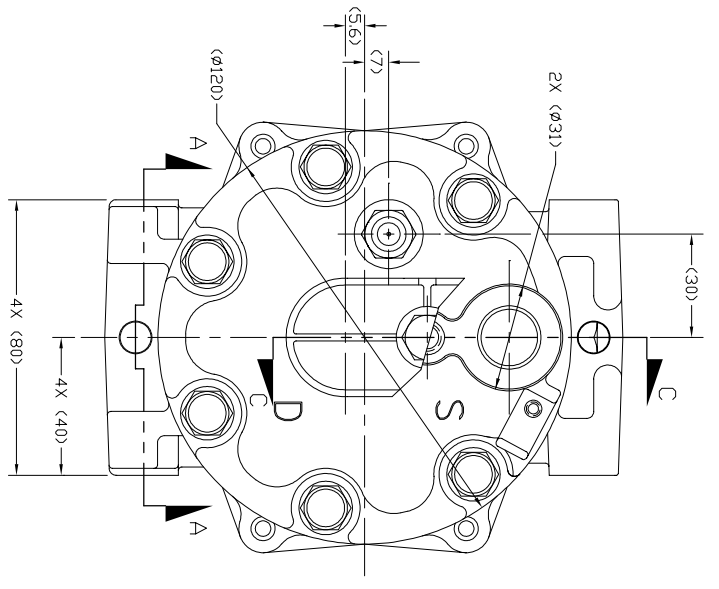
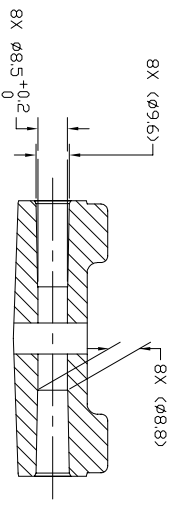
REV	DATE	DESCRIPTION



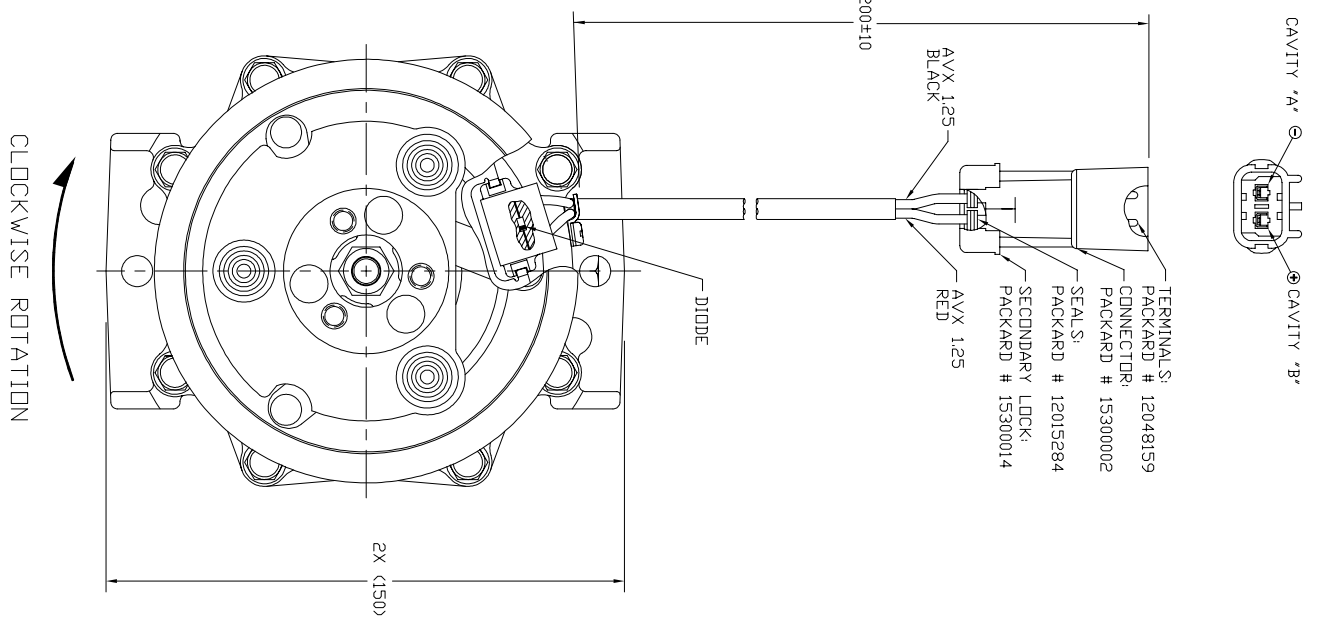
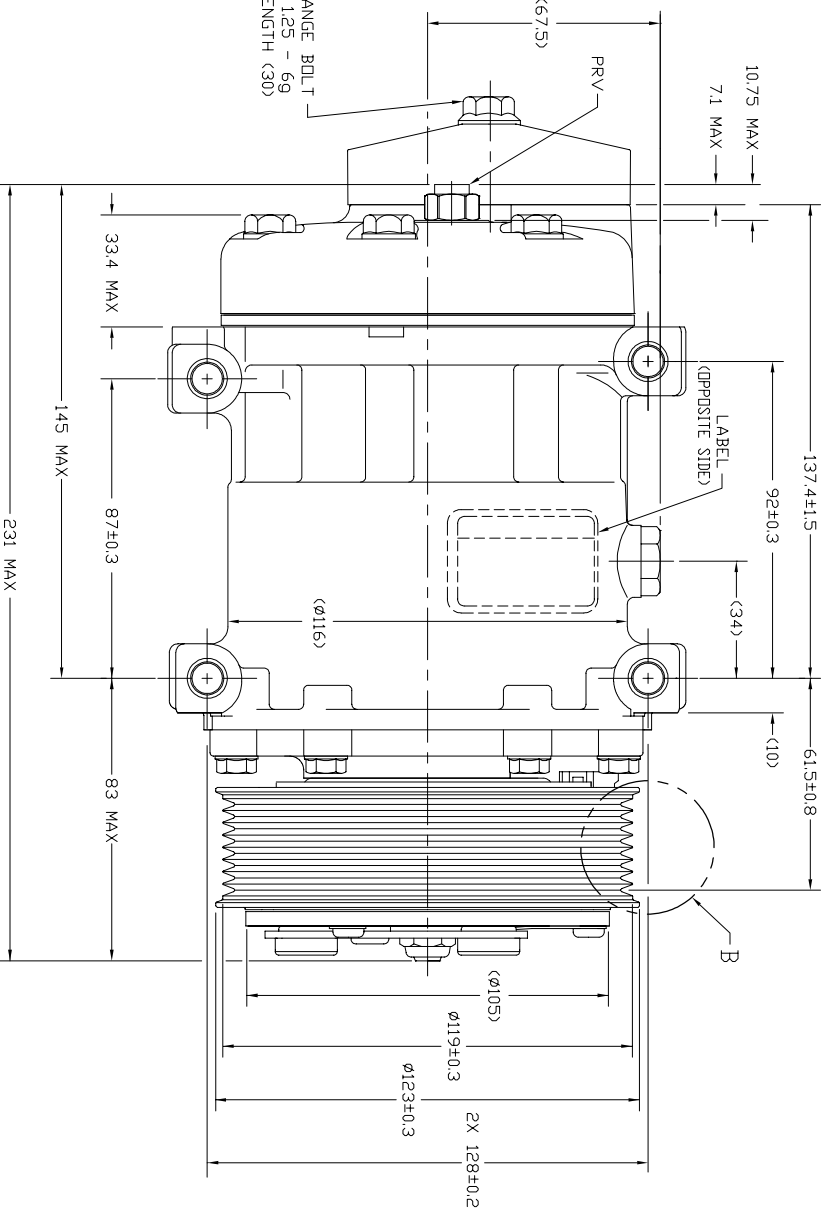
DETAIL B  
SCALE: 3:1



SECTION A-A



HEX FLANGE BOLT  
M8 X 1.25 - 6G  
LENGTH (30)



COMPRESSOR SPECIFICATIONS (REF)

DISPLACEMENT PER REVOLUTION	154.9 CC / rev. ( 9.5cu.in. / rev. )
MAXIMUM ALLOWABLE R.P.M.	8000 R.P.M.
MAXIMUM ALLOWABLE CONTINUOUS R.P.M.	6000 R.P.M.
REFRIGERANT	R134a
DIL ( SP-15 )	300 CC ( 10.1 floz. )
CUSTOMER PART NUMBER	22-64074-000

CLUTCH SPECIFICATIONS (REF)

RATED VOLTAGE	DC 12V
BREAKAWAY TORQUE	3.5 kgf·m min. @ 12V
MINIMUM ENGAGEMENT VOLTAGE	7.5V @ AIR GAP 0.6mm
POWER CONSUMPTION	49 watts max.
BELT TYPE	PV8 TYPE
MAXIMUM ALLOWABLE BELT TENSION	120 kgf
PULLEY DIAMETER	Ø119 mm ( 4.68 in. )
CLUTCH TYPE	HEAVY DUTY



SCALE: 1:1  
DRAWN: J. SANDEN  
DATE: 1/16/07  
APPRV: E. ANDRIS  
DESIGN: J. SANDEN  
CHECKED: S. WATKINS  
RELEASER: J. SANDEN  
DATE: 1/16/07  
APPRV: E. ANDRIS  
DESIGN: J. SANDEN  
CHECKED: S. WATKINS  
RELEASER: J. SANDEN  
DATE: 1/16/07  
APPRV: E. ANDRIS

NAME: COMPRESSOR

SIZE: D

THIRD ANGLE PROJECTION

DATE: 1/16/07

SCALE: 4020-6000

DD	NOT	SCALE
A		