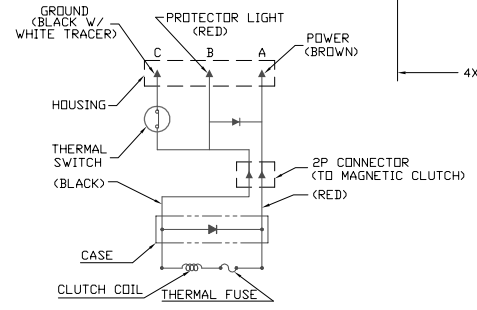
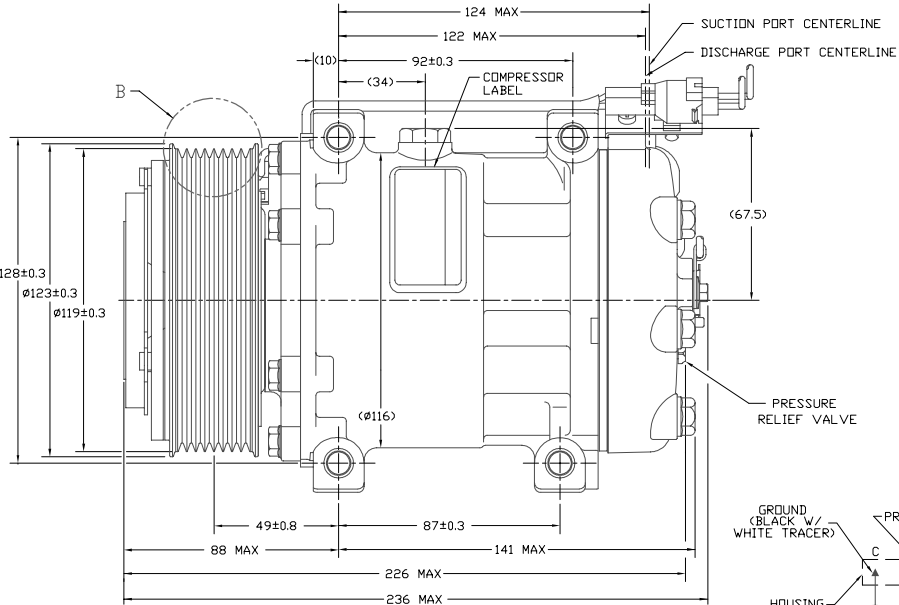
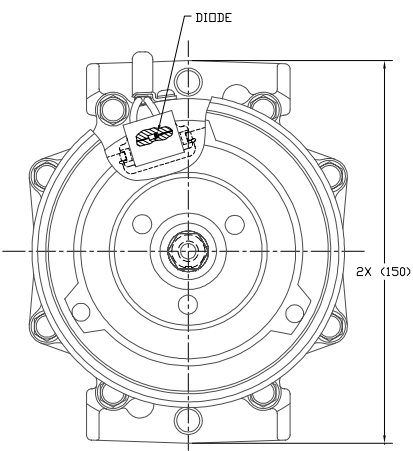
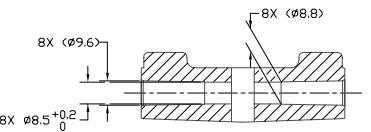
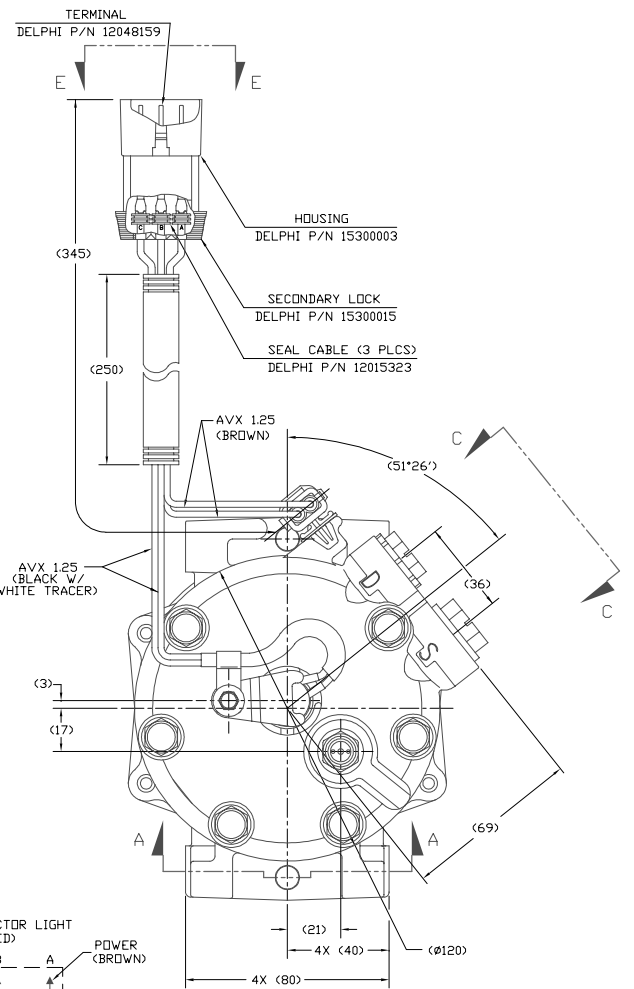
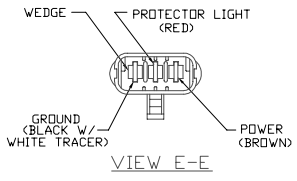
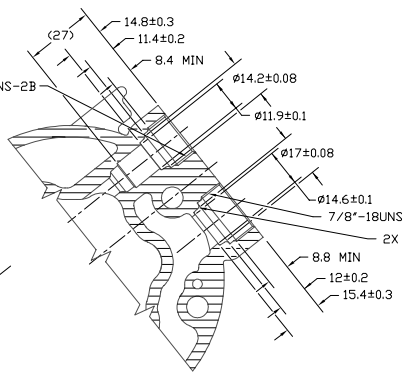
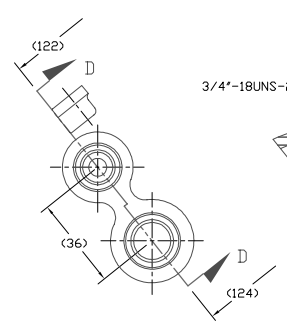
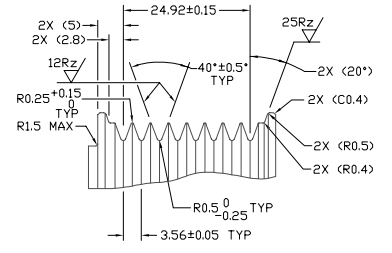


PKC	NO	REV	DATE	REVISIONS	DWN	DSGN	CHK	APPV
				METAL ISSUE				



COMPRESSOR SPECIFICATIONS (REF)

DISPLACEMENT PER REVOLUTION	154.9 cc / rev. ( 9.5cuin. / rev. )
MAXIMUM ALLOWABLE R.P.M.	8000 R.P.M.
MAXIMUM ALLOWABLE CONTINUOUS R.P.M.	6000 R.P.M.
REFRIGERANT	R134a
OIL ( SP-15 )	300 cc ( 10.1 floz. )

CLUTCH SPECIFICATIONS (REF)

RATED VOLTAGE	DC 12V
BREAKAWAY TORQUE	3.5 kgf-m min. @ 12V
MINIMUM ENGAGEMENT VOLTAGE	7.5V @ AIR GAP 0.6mm
POWER CONSUMPTION	49 watts max.
BELT TYPE	PV8 TYPE
MAXIMUM ALLOWABLE BELT TENSION	120 kgf
PULLEY DIAMETER	Ø119mm (4.68 in.)
CLUTCH TYPE	HEAVY DUTY

REV. LEVEL	RELEASED FOR PRODUCTION	DATE	1/11/87	DESIGN VAL. DATE	1/11/87	DATE	1/11/87	DATE	1/11/87
DESIGN	T Phn	DATE	1/11/87	DATE	1/11/87	DATE	1/11/87	DATE	1/11/87
DESIGN	T Phn	DATE	1/11/87	DATE	1/11/87	DATE	1/11/87	DATE	1/11/87
DESIGN	T Phn	DATE	1/11/87	DATE	1/11/87	DATE	1/11/87	DATE	1/11/87
DESIGN	T Phn	DATE	1/11/87	DATE	1/11/87	DATE	1/11/87	DATE	1/11/87

**SANDEN**  
SANDEN INTERNATIONAL CORPORATION, INC.

SCALE: REF 1:1 PLOTTED SCALE: REF 1:1 METRIC

INTERPRETATION OF THIS DRAWING PER ASME Y14.5M-1994

THIRD ANGLE PROJECTION

NAME: COMPRESSOR

DWG. NO: 4025-6000

REV. A

DO NOT SCALE