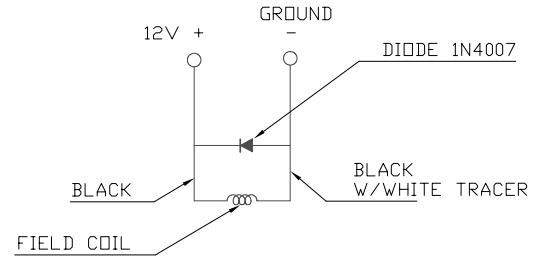
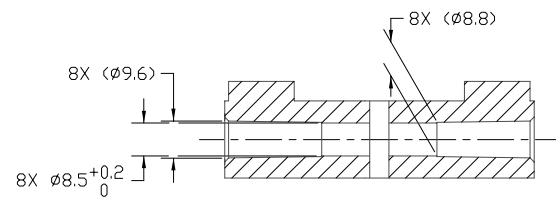


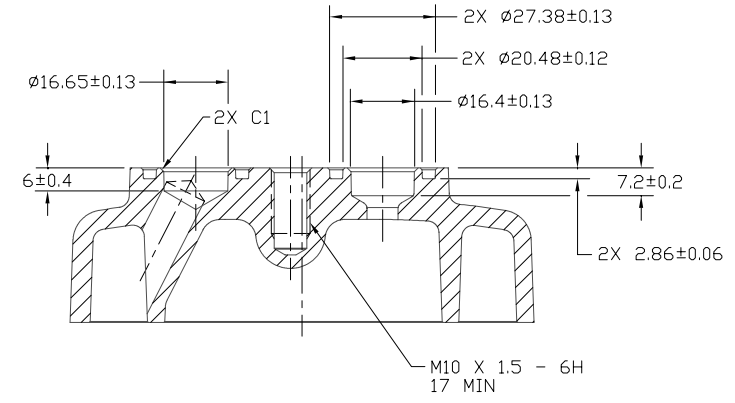
PDCN	REV.	APPV DATE	REVISIONS	DWN	DSGN	CHK	APPV
2007041	A	02/07/06	INITIAL ISSUE	RSR	RW	DRL	EMA
			REMOVED JUMPER FROM DRAWING				
			REMOVED "CLUTCH TYPE" AND "STANDARD" FROM CLUTCH SPECIFICATIONS (REF) CHART				



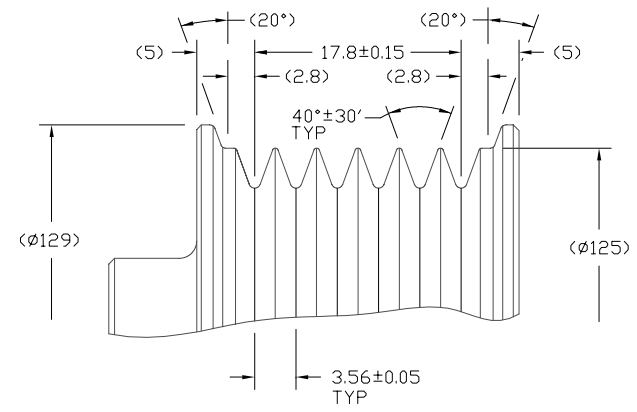
CIRCUIT DIAGRAM



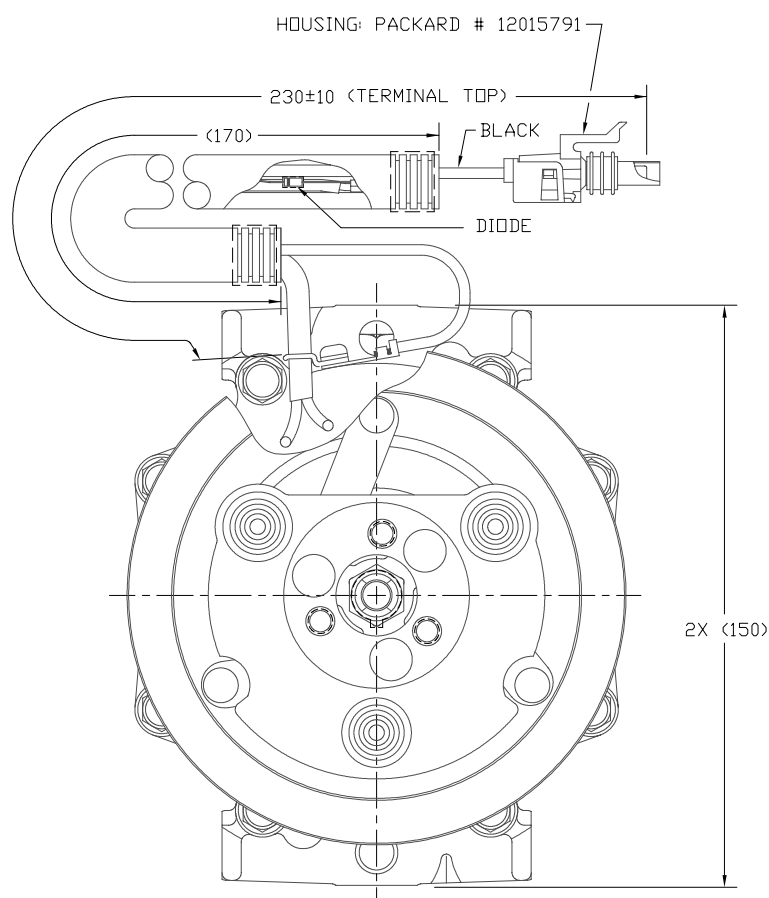
SECTION A-A



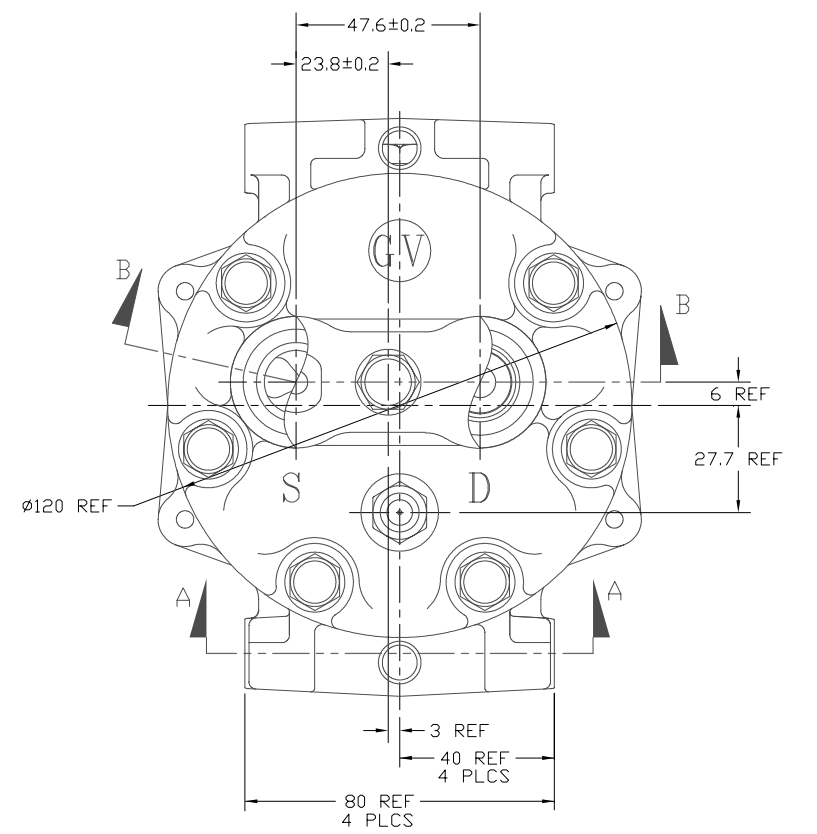
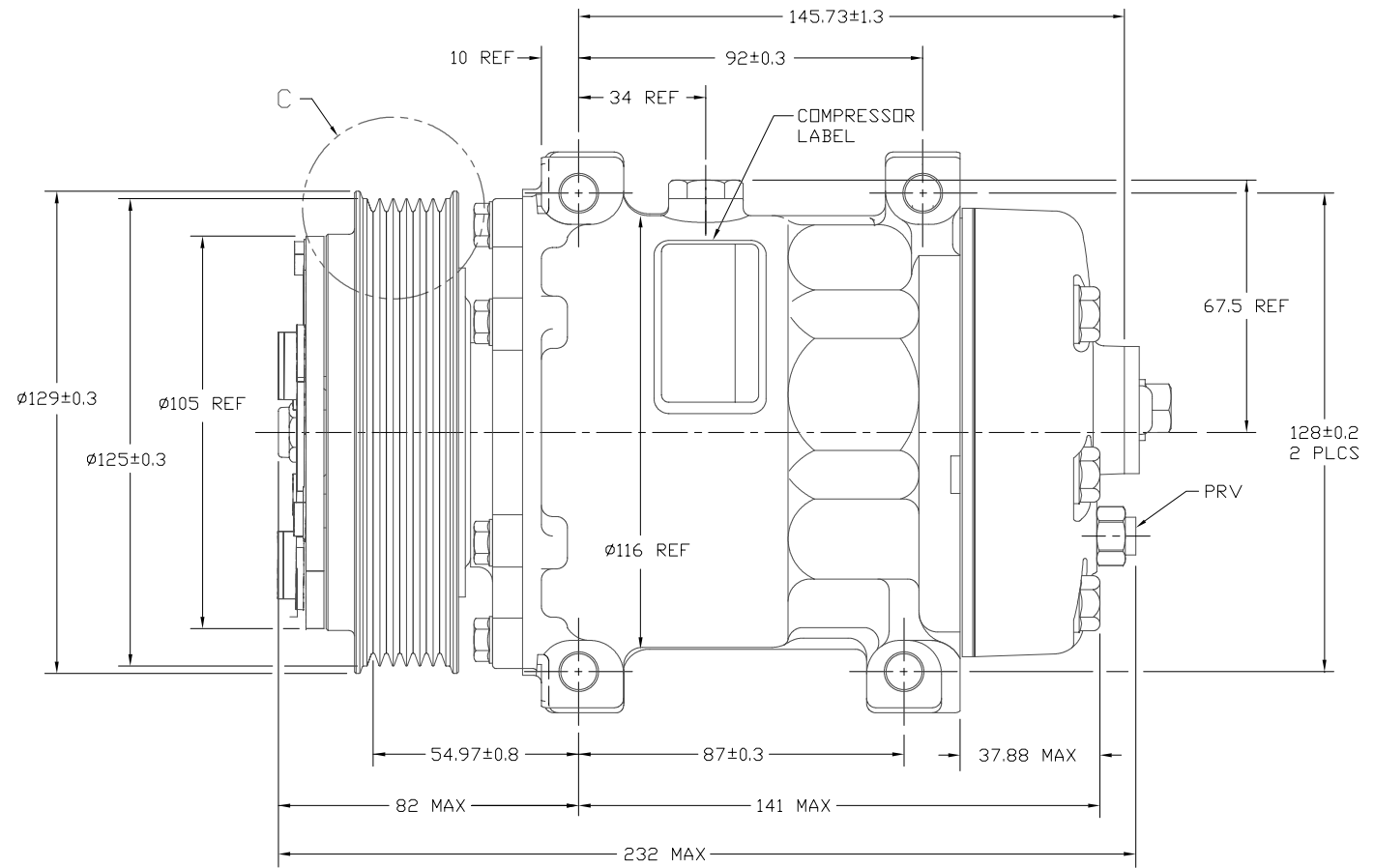
SECTION B-B
(SECTION WITH O-RINGS, SHIPPING PAD ASSEMBLY, AND BOLT REMOVED)



DETAIL C
SCALE - 3:1



CLOCKWISE ROTATION



COMPRESSOR SPECIFICATIONS (REF)

DISPLACEMENT PER REVOLUTION	154.9 cc / rev. (9.5cu.in. / rev.)
MAXIMUM ALLOWABLE SPEED	8000 R.P.M.
MAXIMUM ALLOWABLE CONTINUOUS SPEED	6000 R.P.M.
REFRIGERANT	R134a
OIL (SP-15)	250 cc (8.45 fl.oz.)

CLUTCH SPECIFICATIONS (REF)

RATED VOLTAGE	DC 12V
BREAKAWAY TORQUE	3.5 kgf-m min. @ 12V
MINIMUM ENGAGEMENT VOLTAGE	7.5V @ AIR GAP 0.6mm
POWER CONSUMPTION	49 watts max.
BELT TYPE	PV6 TYPE
MAXIMUM ALLOWABLE BELT TENSION	120 kgf
PULLEY DIAMETER	ø125 mm (4.92 in.)

NOTE:
1. N₂ HOLDING CHARGE DELETED.

DO NOT SCALE

REV. LEVEL	RELEASED FOR:	DATE	DESCRIPTION
A	R. Rodriguez	01/29/07	DESIGN DEVELOPMENT
B	E. M. Arriola	01/31/07	DESIGN VALIDATION
B	E. M. Arriola	02/09/07	RELEASED FOR PRODUCTION
B	Smev Chhim	02/09/07	RELEASED FOR PRODUCTION
B	R. Martinez	06/06/07	RELEASED FOR PRODUCTION

SANDEN INTERNATIONAL (U.S.A.), INC.
DRAWN SCALE REF 1:1 PLOTTED SCALE REF NONE METRIC

This drawing and the information contained hereon are CONFIDENTIAL and PROPRIETARY to Sanden International (U.S.A.), Inc., are received in CONFIDENCE and shall not be used, copied, or disclosed to others without the written permission of Sanden International (U.S.A.), Inc.

INTERPRETATION OF THIS DRAWING PER ASME Y14.5M-1994

THIRD ANGLE PROJECTION

MATERIAL: -

NAME: COMPRESSOR

DWG. NO. 4027-6000

REV. B