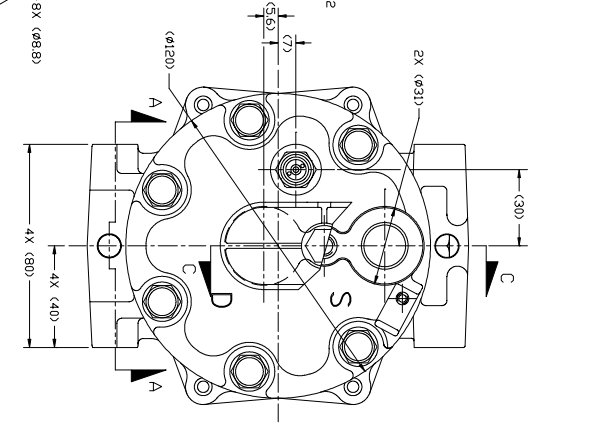
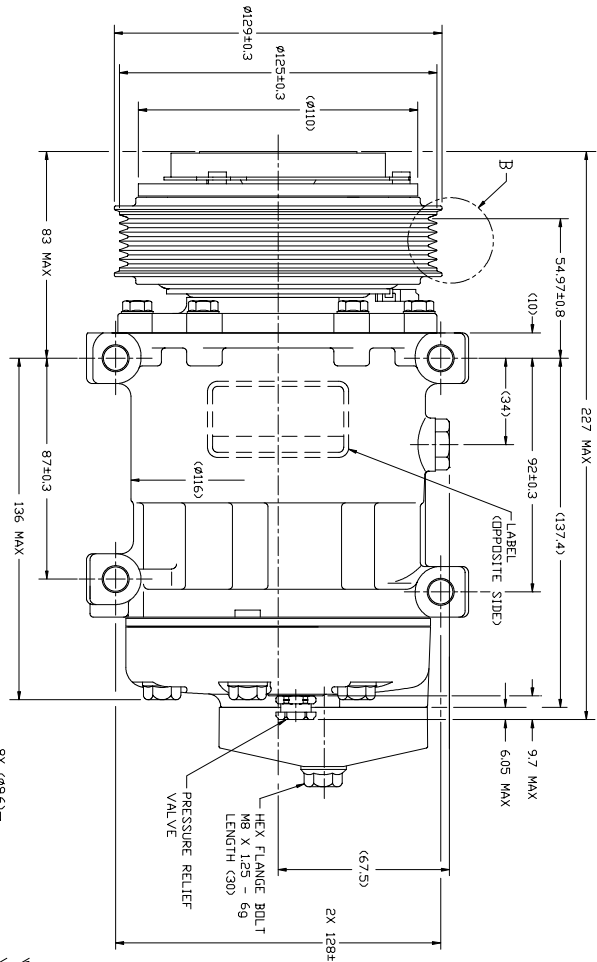
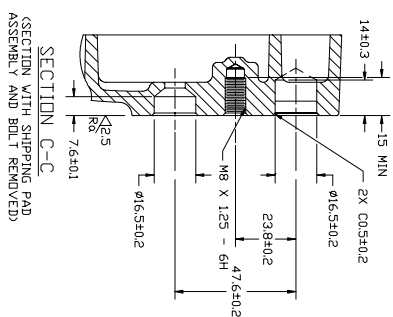
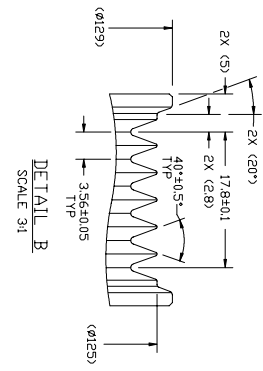
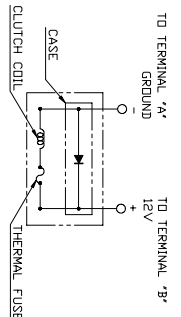
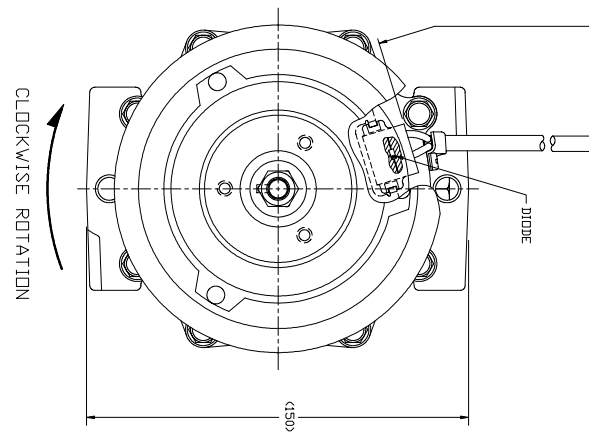
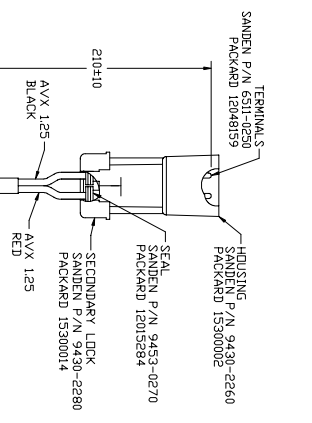
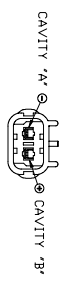


REV	NO	DATE	BY	CHK	APPV
1					



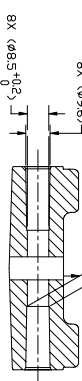
COMPRESSOR SPECIFICATIONS (REF)

DISPLACEMENT PER REVOLUTION	155 CC
MAXIMUM ALLOWABLE RPM	6000 RPM
MAXIMUM ALLOWABLE CONTINUOUS RPM	6134
REFRIGERANT	R134a
OIL (S-F-15)	300 CC

CLUTCH SPECIFICATIONS (REF)

RATED VOLTAGE	12V
BREAKAWAY TORQUE	3.3 kgf-cm MIN @ 12V
MINIMUM ENGAGEMENT VOLTAGE	7.3V @ AIR GAP 0.6 mm
MAXIMUM POWER CONSUMPTION	4.7 W
BELT TYPE	B/G
MAXIMUM ALLOWABLE BELT TENSION	120 kgf
PULLEY DIAMETER	Ø25 mm
CLUTCH TYPE	HEAVY DUTY

SECTION A-A



SANDEN
SANDEN INTERNATIONAL, U.S.A., INC.
SANTA ANA, CALIFORNIA, U.S.A.

METRIC

THIS DRAWING AND THE INFORMATION CONTAINED HEREON ARE THE PROPERTY OF SANDEN INTERNATIONAL, U.S.A., INC. AND ARE TO BE USED ONLY FOR THE PURPOSES SPECIFIED HEREON. ANY REPRODUCTION OR TRANSMISSION OF THIS DRAWING OR INFORMATION CONTAINED HEREON WITHOUT THE WRITTEN PERMISSION OF SANDEN INTERNATIONAL, U.S.A., INC. IS STRICTLY PROHIBITED.

DATE: 12/25/94
SCALE: AS SHOWN

THIRD ANGLE PROJECTION

COMPRESSOR

REV	NO	DATE	BY	CHK	APPV
1					

DD NOT SCALE

4076-6000