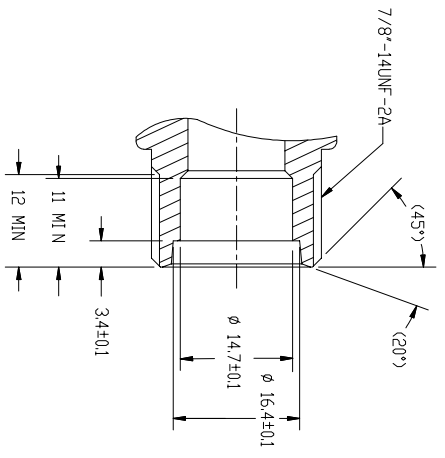
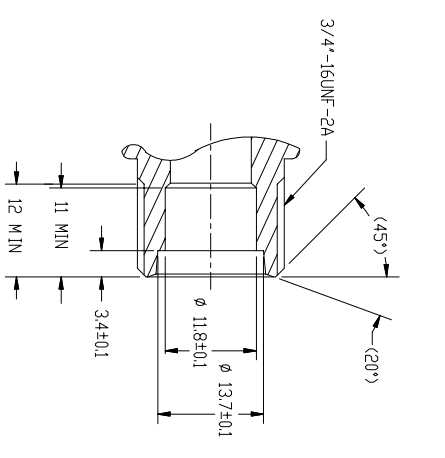


REV	DATE	BY	CHK	APPV	DESCRIPTIONS

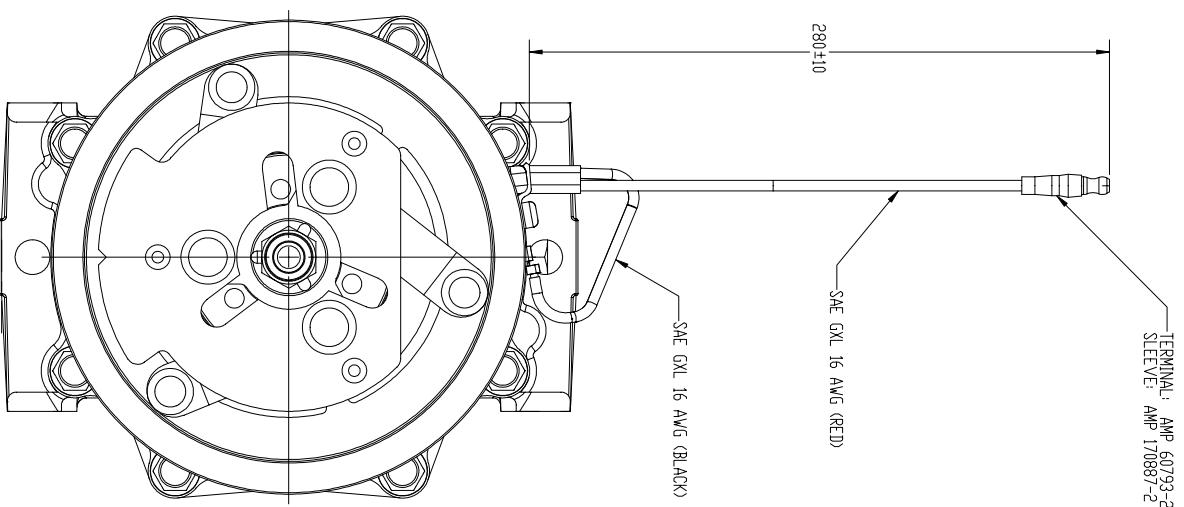
REV	DATE	BY	CHK	APPV	DESCRIPTIONS



SECTION A-A
SCALE: 2:1

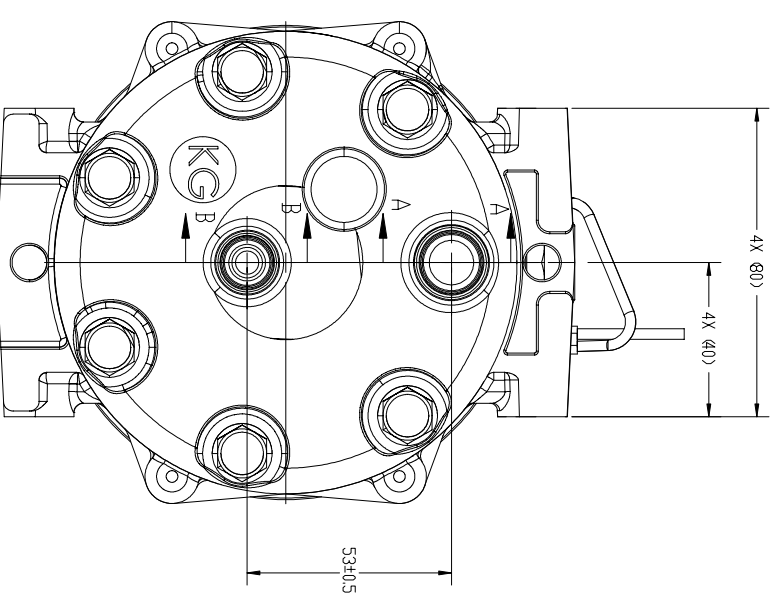
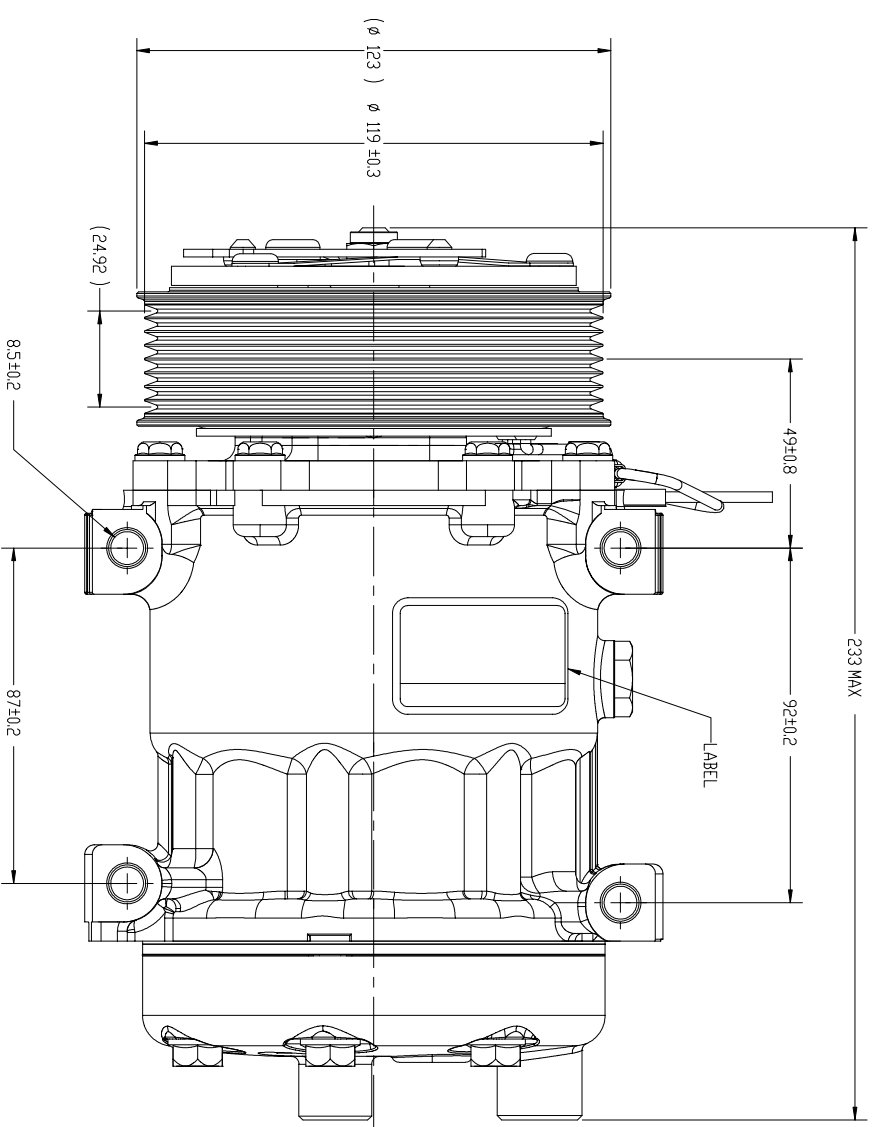


SECTION B-B
SCALE: 2:1



CLOCKWISE ROTATION

COMPRESSOR SPECIFICATIONS (REF)	
DISPLACEMENT PER REVOLUTION	155 CC
MAXIMUM ALLOWABLE RPM	8000 RPM
MAXIMUM ALLOWABLE CONTINUOUS RPM	6000 RPM
REFRIGERANT	134a
SP-15 OIL AMOUNT	240±10 CC



CLUTCH SPECIFICATIONS	
RATED VOLTAGE	12V
BREAKAWAY TORQUE	34 Nm
MINIMUM ENGAGEMENT VOLTAGE	7.5V
MAXIMUM POWER CONSUMPTION	49 W
BELT TYPE	PV8
MAXIMUM ALLOWABLE BELT TENSION	1176 N
PULLEY DIAMETER	119 mm
CLUTCH TYPE	HEAVY DUTY

±	2.5	2.0	1.5	1.0	0.7	0.5	0.3	0.2	0.1	0.05	0.02	0.01	0.005	0.002	0.001
A	0.05	0.1	0.15	0.2	0.3	0.4	0.5	0.7	1.0	1.5	2.0	3.0	4.0	5.0	7.0
B	0.05	0.1	0.15	0.2	0.3	0.4	0.5	0.7	1.0	1.5	2.0	3.0	4.0	5.0	7.0
C	0.05	0.1	0.15	0.2	0.3	0.4	0.5	0.7	1.0	1.5	2.0	3.0	4.0	5.0	7.0
D	0.05	0.1	0.15	0.2	0.3	0.4	0.5	0.7	1.0	1.5	2.0	3.0	4.0	5.0	7.0
E	0.05	0.1	0.15	0.2	0.3	0.4	0.5	0.7	1.0	1.5	2.0	3.0	4.0	5.0	7.0

ANGLE	TOLERANCE	OTHERS
RIGHT ANGLE	±0.1	±0.05
±45°	±0.1	±0.05
±2°	±0.1	±0.05

SANDEN

METRIC DIMENSIONS SHOWN IN MILLIMETERS

THIS DRAWING AND THE SPECIFICATIONS HEREON ARE THE PROPERTY OF SANDEN INTERNATIONAL (USA), INC. AND ARE TO BE USED ONLY FOR THE PURPOSES SPECIFIED HEREIN. ANY REPRODUCTION OR TRANSMISSION OF THIS DRAWING OR SPECIFICATIONS WITHOUT THE WRITTEN PERMISSION OF SANDEN INTERNATIONAL (USA), INC. IS PROHIBITED.

INTERPRETATION OF THIS DRAWING FOR
ASME Y14.5M-1994

THIRD ANGLE PROJECTION

DATE: 15-FEB-08
APPV: S. VAIAMBE
CHK: S. INAGAWA
DESIGNER: S. VAIAMBE
DRAWN: S. VAIAMBE
REV: A

DATE: 7-APRIL-08
APPV: E. ARRETTA
CHK: S. VAIAMBE
DESIGNER: S. VAIAMBE
DRAWN: S. VAIAMBE
REV: A

COMPRESSOR

4094-6000