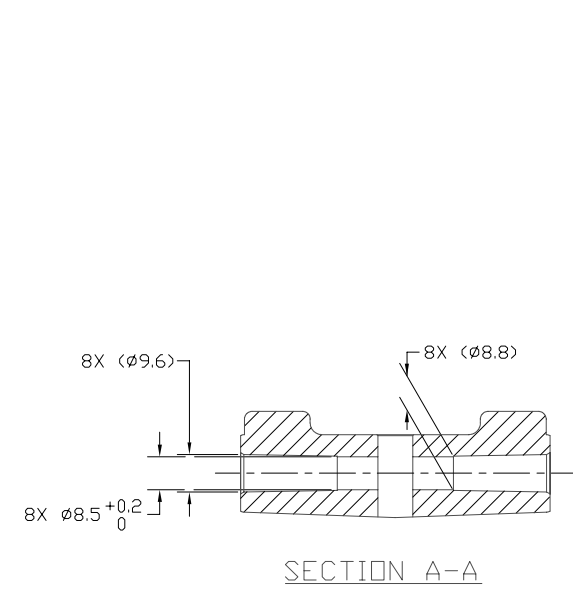
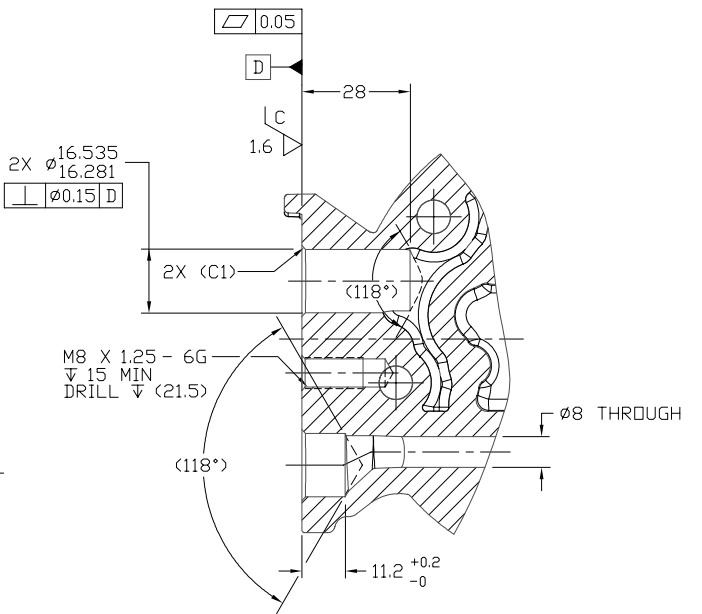


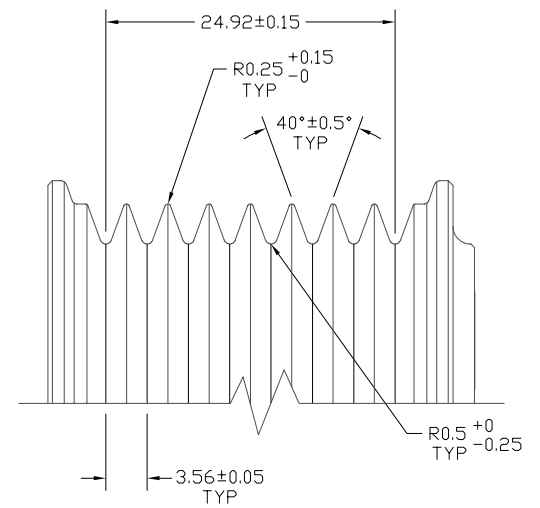
PDCN	REV.	APPV DATE	REVISIONS	DWN	DSGN	CHK	APPV
			INITIAL ISSUE				
2006364	1	10/24/06	COIL WINDING 0432-6340 '6FZ' WAS 0432-6040 '6EK'	JS	AA	DRL	AA
2006428	2	12/12/06	BLOCK: 4352-6850 WAS 4370-6850 ROTOR: 6816-6020 WAS 6816-6120	RSR	AA	DRL	AA



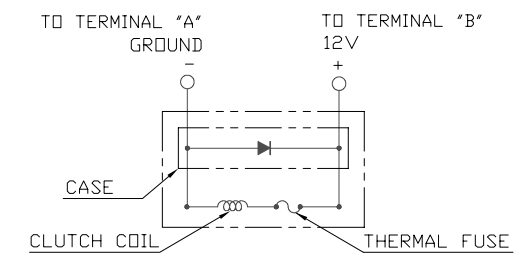
SECTION A-A



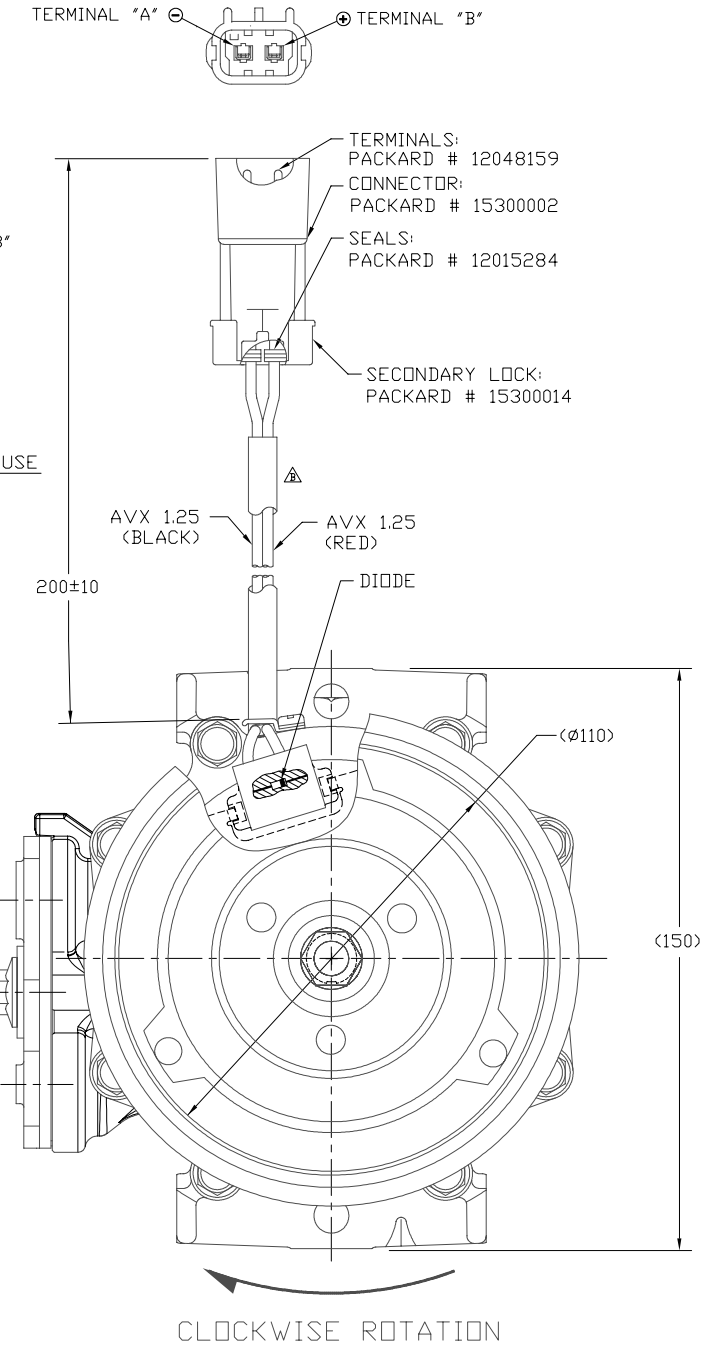
SECTION B-B  
(SHIPPING PAD AND BOLT REMOVED)



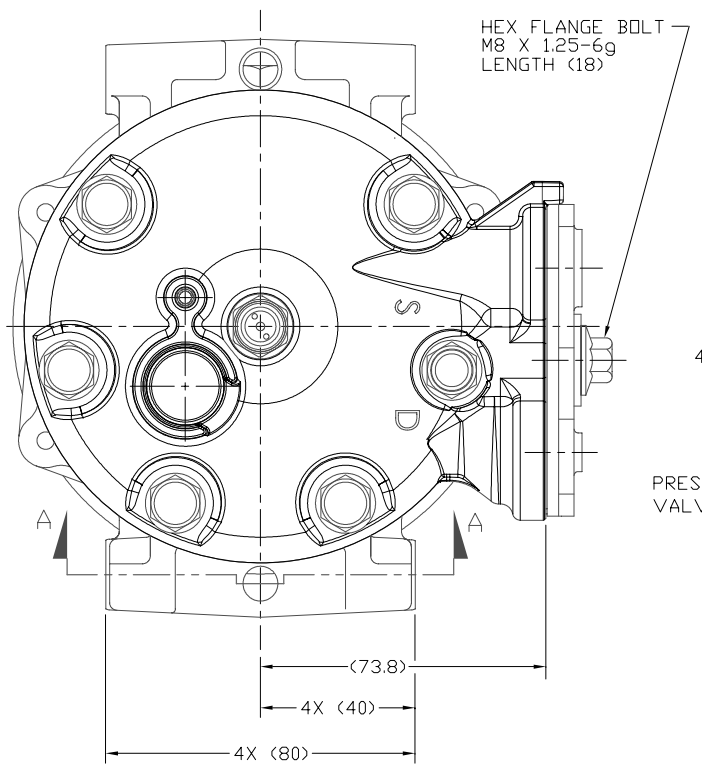
DETAIL C  
SCALE: 3:1



CIRCUIT DIAGRAM  
(FOR REFERENCE)

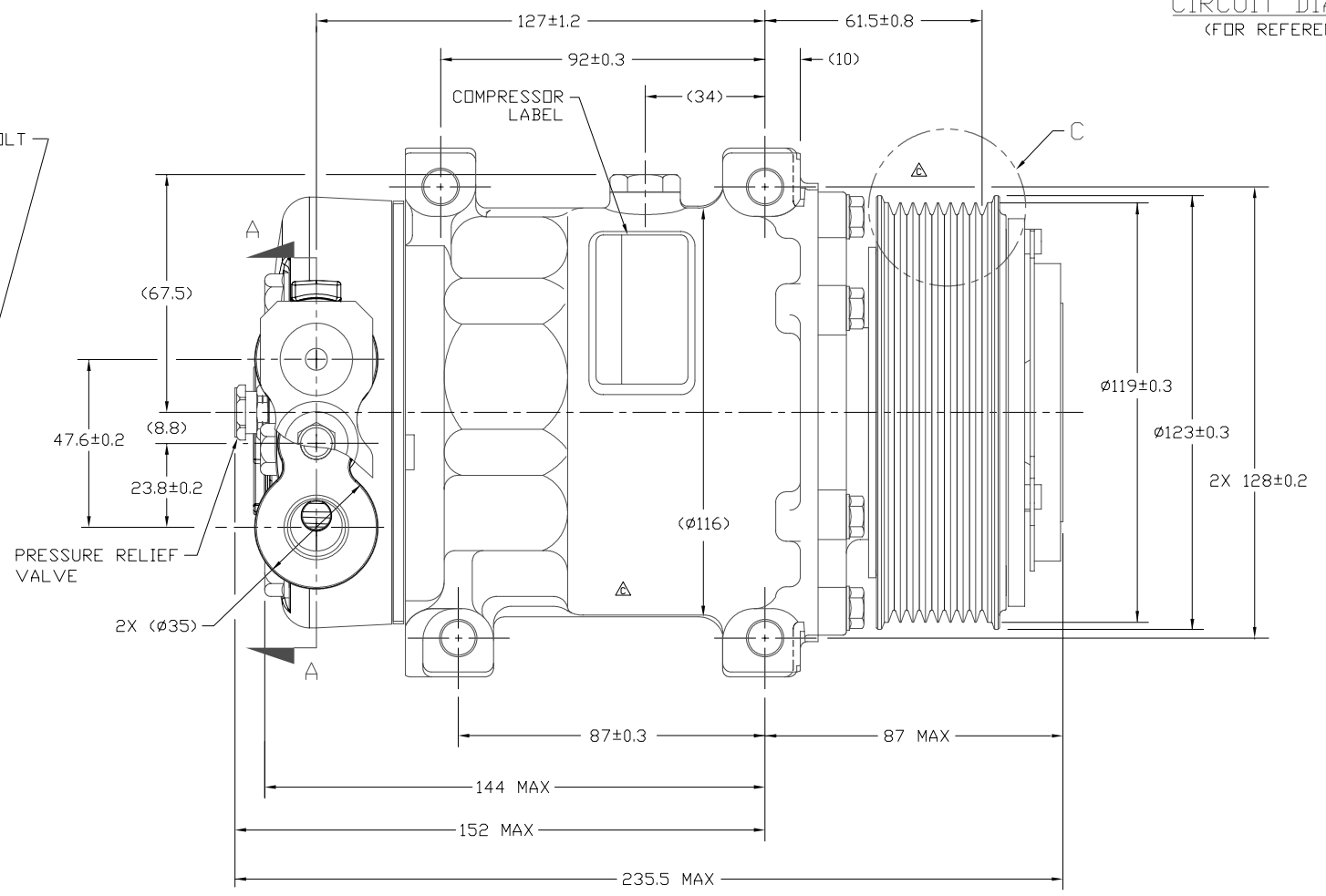


CLOCKWISE ROTATION



COMPRESSOR SPECIFICATIONS (REF)

DISPLACEMENT PER REVOLUTION	154.9 cc / rev. ( 9.5cu.in. / rev. )
MAXIMUM ALLOWABLE R.P.M.	8000 R.P.M.
MAXIMUM ALLOWABLE CONTINUOUS R.P.M.	6000 R.P.M.
REFRIGERANT	R134a
OIL ( SP-15 )	300 cc ( 10.1 floz. )



CLUTCH SPECIFICATIONS (REF)

RATED VOLTAGE	DC 12V
BREAKAWAY TORQUE	3.5 kgf-m min. @ 12V
MINIMUM ENGAGEMENT VOLTAGE	7.5V @ AIR GAP 0.6mm
POWER CONSUMPTION	49 watts max.
BELT TYPE	PV8 TYPE
MAXIMUM ALLOWABLE BELT TENSION	120 kgf
PULLEY DIAMETER	Ø119 mm ( 4.68 in. )
CLUTCH TYPE	HEAVY DUTY

REV. LEVEL	RELEASED FOR	DESIGN	DATE	SCALE REF	PLOTTED SCALE REF	SIZE
A	DESIGN DEVELOPMENT	Note Burns	09/21/06	1:1	1:1	METRIC
A	DESIGN VALIDATION	A. Armendariz	09/21/06			
A	PRODUCTION VAL'D.	A. Armendariz	09/21/06			
C	PRODUCTION	J. Valenzuela	6/6/07			

**SANDEN**  
SANDEN INTERNATIONAL ( U.S.A. ), INC.

INTERPRETATION OF THIS DRAWING PER ASME Y14.5M-1994

THIRD ANGLE PROJECTION

MATERIAL: \_\_\_\_\_

NAME: \_\_\_\_\_

COMPRESSOR

DWG. NO. 4314-6000

REV. C

DO NOT SCALE