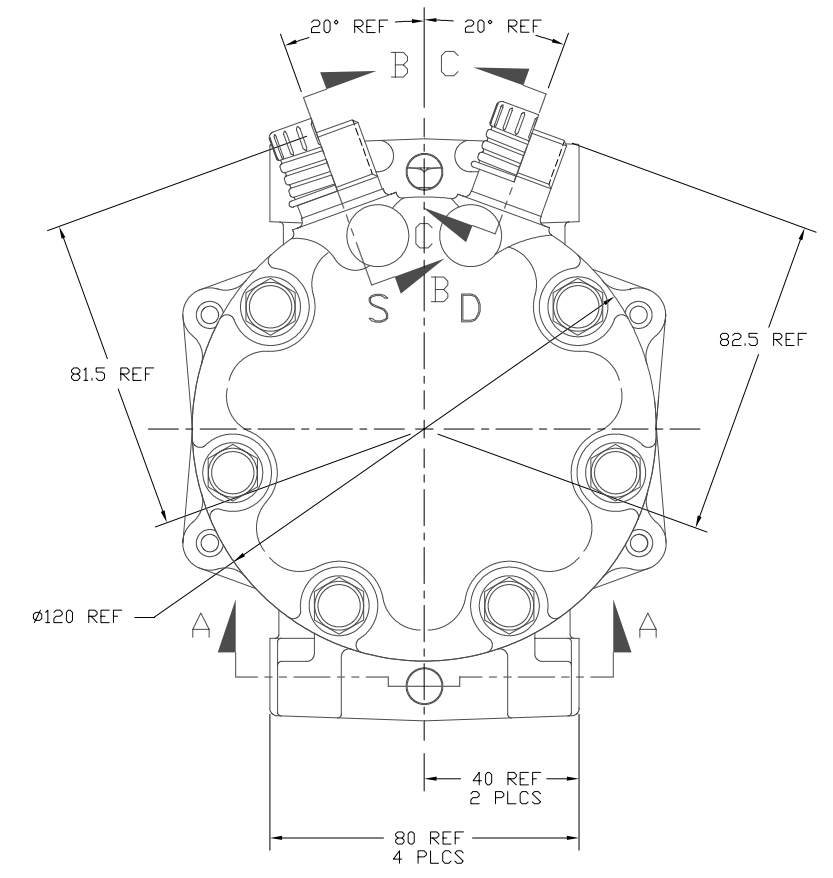
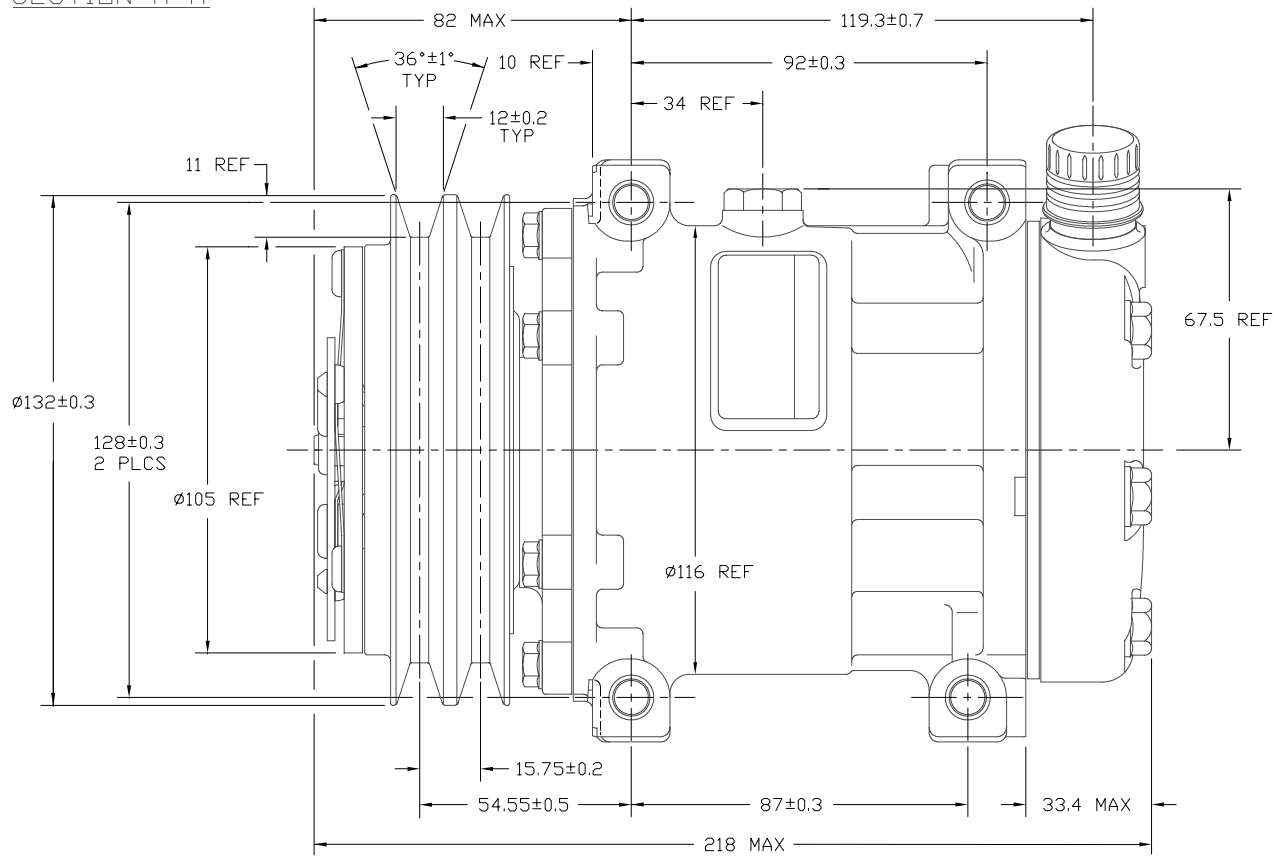
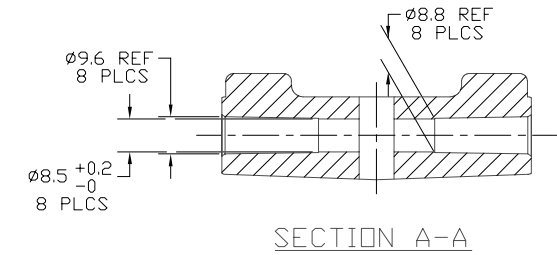
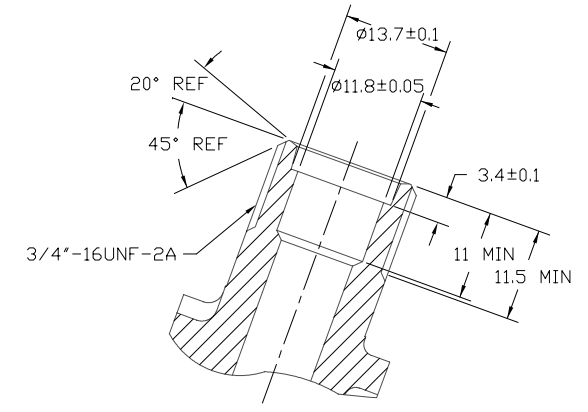
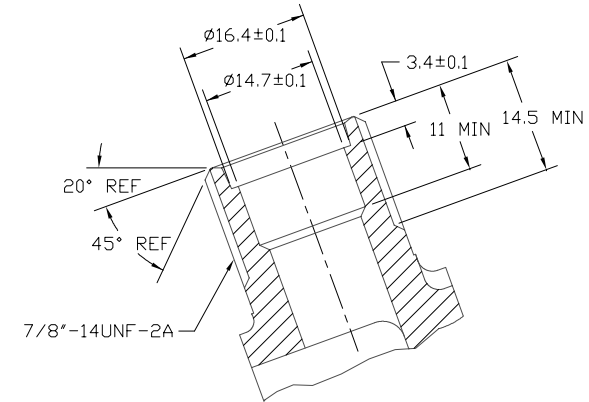
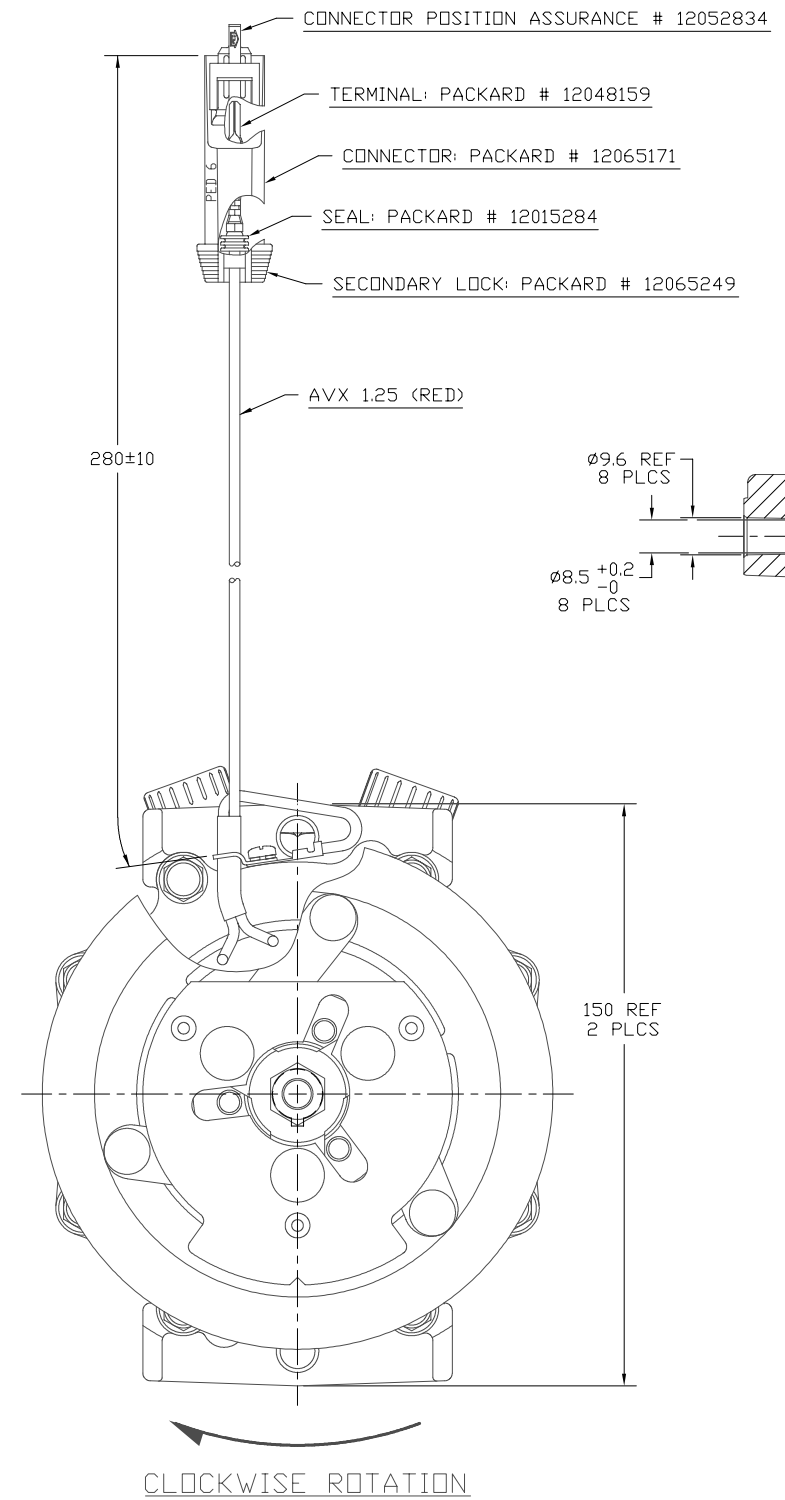


REV.	DATE	BY	CHK	APPV	REVISIONS	DWN	DSGN	CHK	APPV		
PDCN	REV.	APPV	DATE	BY	CHK	APPV	REVISIONS	DWN	DSGN	CHK	APPV
							INITIAL ISSUE REF. AGMT-6000, REV. 1				



COMPRESSOR SPECIFICATIONS (REF)

DISPLACEMENT PER REVOLUTION	154.9 cc / rev. (9.5cu.in. / rev.)
MAXIMUM ALLOWABLE R.P.M.	8000 R.P.M.
MAXIMUM ALLOWABLE CONTINUOUS R.P.M.	6000 R.P.M.
REFRIGERANT	R134a
OIL (SP-20)	300 cc (10.1 fl.oz.)
WEIGHT	7.4 kg (16.4 lb.)

CLUTCH SPECIFICATIONS (REF)

RATED VOLTAGE	DC 24V
BREAKAWAY TORQUE	3.5 kgf-m min. @ 24V
MINIMUM ENGAGEMENT VOLTAGE	16V @ AIR GAP 0.6mm
POWER CONSUMPTION	42 WATTS MAX.
BELT TYPE	A TYPE
MAXIMUM ALLOWABLE BELT TENSION	60 kgf PER BELT
PULLEY DIAMETER	$\phi 132$ mm (5.2 in.)
CLUTCH TYPE	HEAVY DUTY

REV. LEVEL	RELEASED FOR: ENG'G DEVELOPMENT	 SANDEN INTERNATIONAL (U.S.A.), INC.
DWN	R. Rodriguez	
CHK	Dennis Lee	DRAWN SCALE REF 1:1 PLOTTED SCALE REF 1:1 METRIC
APPV. DATE	11/08/06	This drawing and the information contained hereon are CONFIDENTIAL and PROPRIETARY to Sanden International (U.S.A.), Inc., and shall not be used, copied, or disclosed to others without the written permission of Sanden International (U.S.A.), Inc.
REV. LEVEL	RELEASED FOR: DESIGN VALIDATION	
DWN	Carol Kiefer	INTERPRETATION OF THIS DRAWING PER ASME Y14.5M-1994
APPV. DATE	11/08/06	THIRD ANGLE PROJECTION
REV. LEVEL	RELEASED FOR: PRODUCTION VAL'D.	MATERIAL: -
DWN	Carol Kiefer	NAME: COMPRESSOR
APPV. DATE	11/08/06	DWG. NO. 4325-6000
REV. LEVEL	RELEASED FOR: PRODUCTION	REV. A
DWN		
APPV. DATE		

DO NOT SCALE