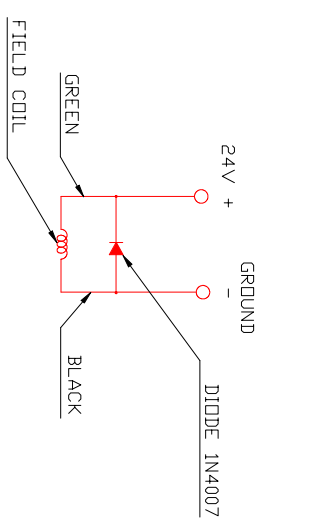
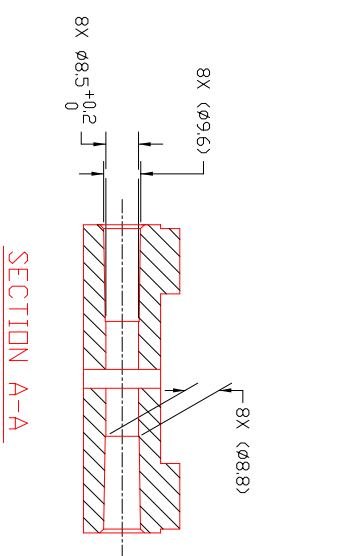


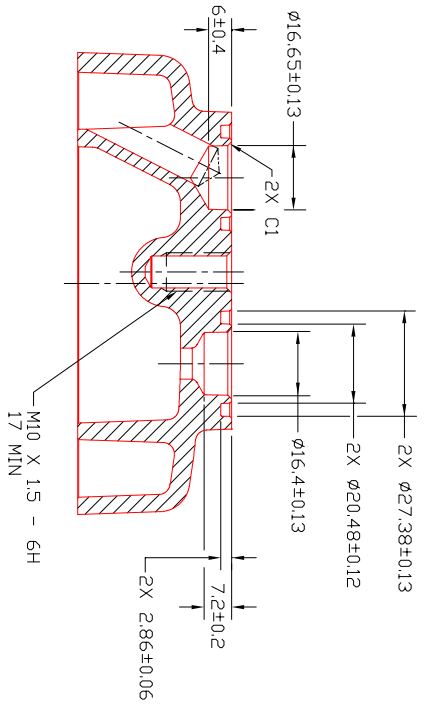
PICN	REV	DATE	APPRV	REVISIONS	DWN	DSGN	CHK	APPRV
2006310	A	11/20/06		INITIAL ISSUE REF: DWG. NO. 4890-6000 REV. A REV. 4907-6470 VAS 4967-6470	DRU	RM	JRL	RM



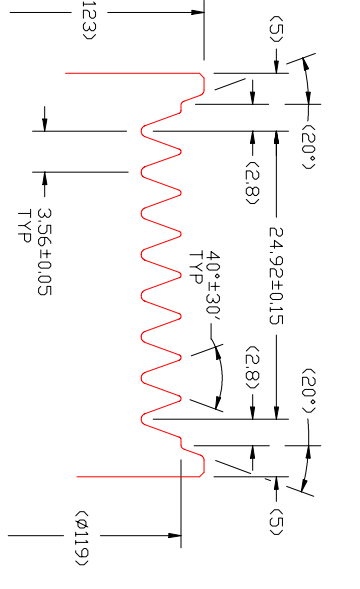
CIRCUIT DIAGRAM



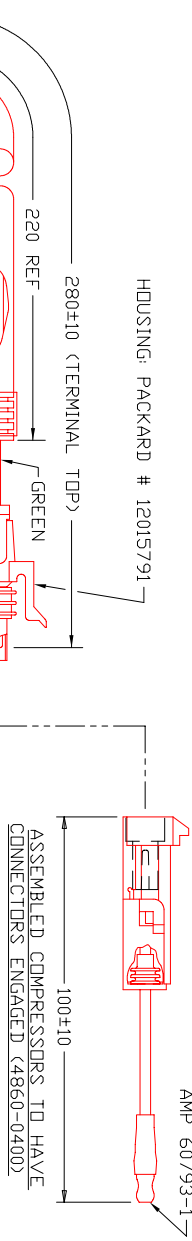
SECTION A-A



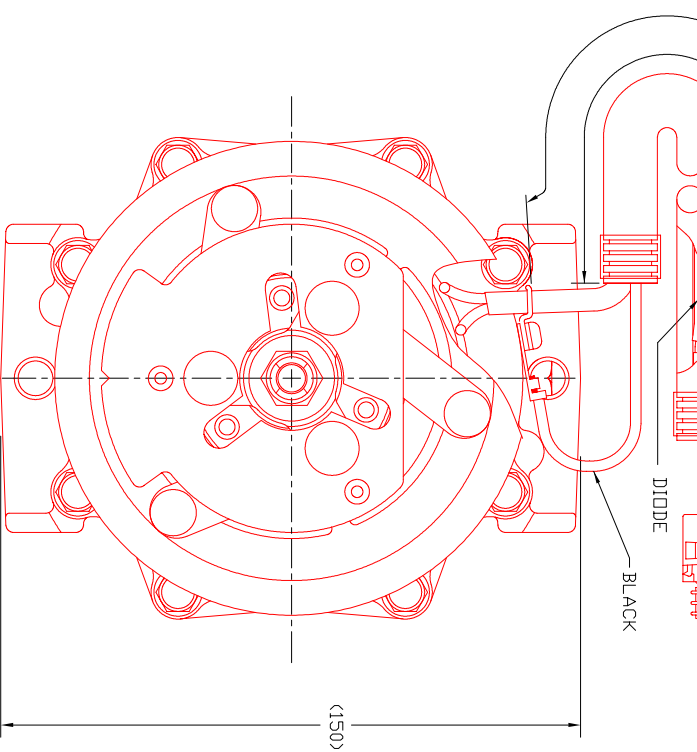
SECTION B-B
(SECTION WITH D-RINGS, SHIPPING PAD ASSEMBLY, AND BOLT REMOVED)



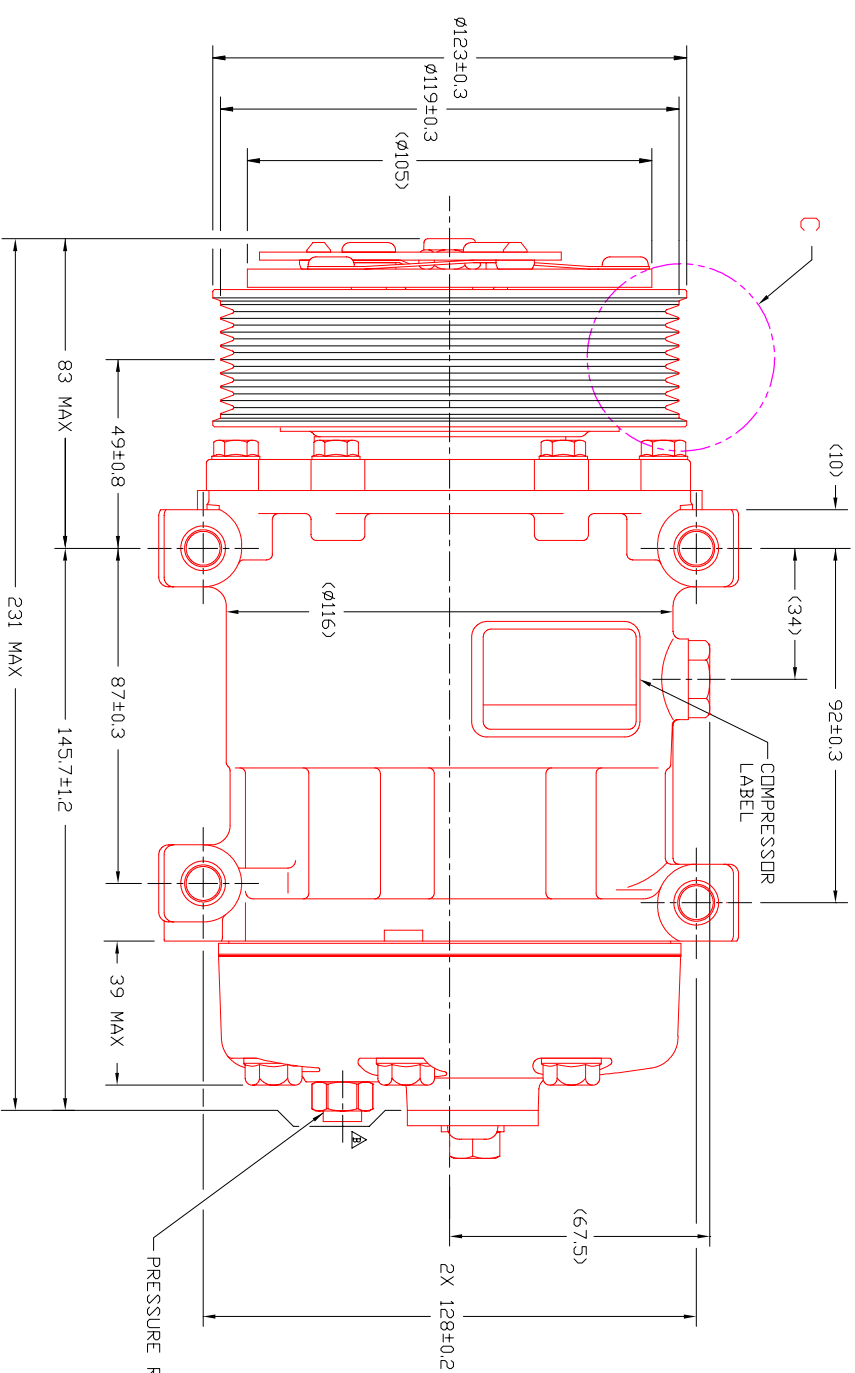
DETAIL C
SCALE: 3:1



AMP 60793-1



CLOCKWISE ROTATION



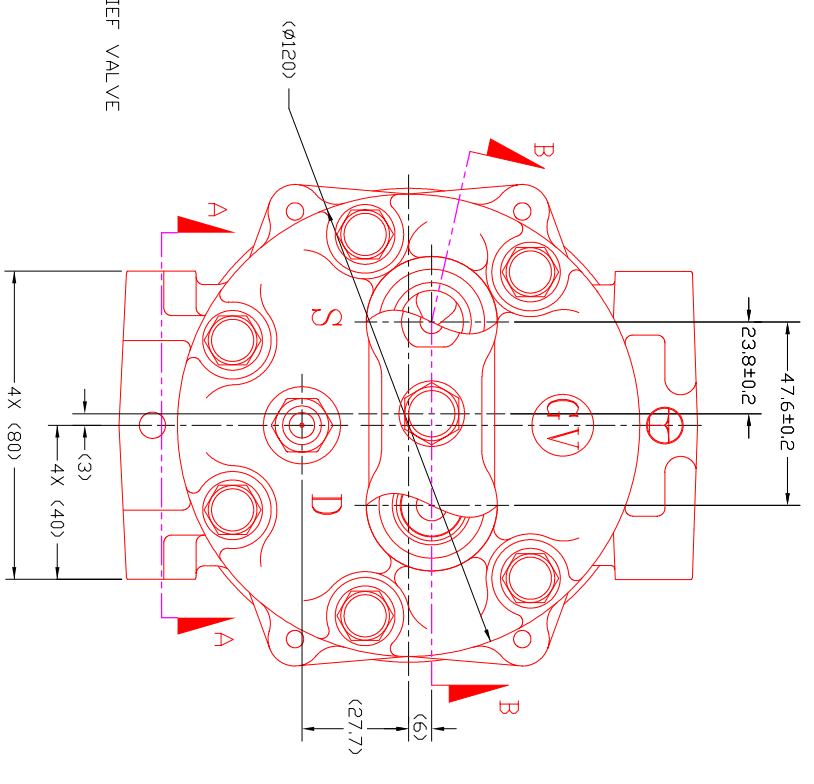
COMPRESSOR SPECIFICATIONS

DISPLACEMENT PER REVOLUTION	154.9	CC / rev. (9.5cui.n. / rev.)
MAXIMUM ALLOWABLE SPEED	8000	R.P.M.
MAXIMUM ALLOWABLE CONTINUOUS SPEED	6000	R.P.M.
REFRIGERANT	R134a	
DIL (SP-15)	200	CC (6.76 floz.)

CLUTCH SPECIFICATIONS

RATED VOLTAGE	DC 24V
BREAKAWAY TORQUE	3.5 kgf-m min. @ 24V
MINIMUM ENGAGEMENT VOLTAGE	16V @ AIR GAP 0.6mm REF
POWER CONSUMPTION	34 watts max.
BELT TYPE	PV8 TYPE
MAXIMUM ALLOWABLE BELT TENSION	120 kgf
PULLEY DIAMETER	Ø119 mm (4.69 in.)
CLUTCH TYPE	STANDARD

NOTE:
1. N₂ HOLDING CHARGE DELETED.



REV	RELEASED FOR	DATE	BY	APPV	DATE	BY	APPV	DATE	BY	APPV	DATE	BY	APPV
A	RELEASED FOR PRODUCTION	11/15/05	Wong Shu	11/15/05	11/15/05	Wong Shu	11/15/05	11/15/05	Wong Shu	11/15/05	11/15/05	Wong Shu	11/15/05
B	DESIGN CHANGE	08/06/07	E. ARRIETA		08/06/07	E. ARRIETA		08/06/07	E. ARRIETA		08/06/07	E. ARRIETA	

MATERIAL
SANDEN INTERNATIONAL (USA), INC.
SANDEN
MATERIAL: -
SIZE: D

THIRD ANGLE PROJECTION

COMPRESSOR

DWG. NO: 4327-6000

DD
NOT
SCALE