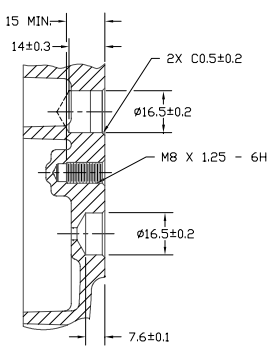
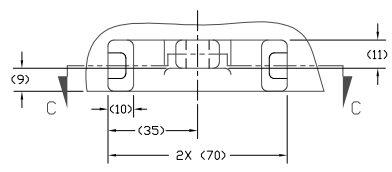


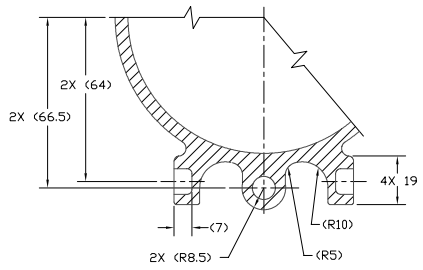
PCDN	REV.	DATE	REVISIONS	DWN	ESGN	CHKD	APPV
			INITIAL RELEASE REF. DNV 4407-6000 REV. H				
2005089	6/1/95		380 cc (61 fl. oz.) VAS 240 cc (41 fl. oz.), 20-9148 VAS 20-9145.	JIS	KS	DRL	NB
2005194	07/13/05		ADDED 'REF' TO BOTH CHART TITLES. 240 cc (41 fl. oz.) VAS 380 cc (61 fl. oz.) REMOVED PART NUMBER CALL OUT FROM TERMINAL AND CONNECTOR CALLOUT REMOVED 'REF' FROM '20V MIN. 0.6mm GAP'	ESR	JW	DRL	NB
2006310	12/11/06		PRV 4307-6470 VAS 4967-6470 2335 MAX. VAS 2305 MAX.	JIS	JW	DRL	TK



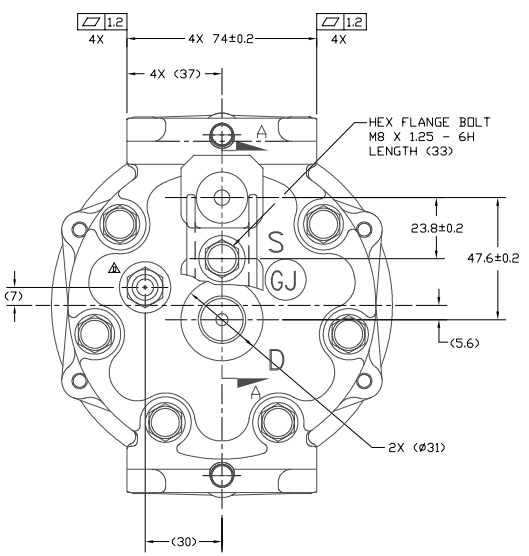
SECTION A-A
(SECTION WITH SHIPPING PAD ASSEMBLY AND BOLT REMOVED)



VIEW B-B

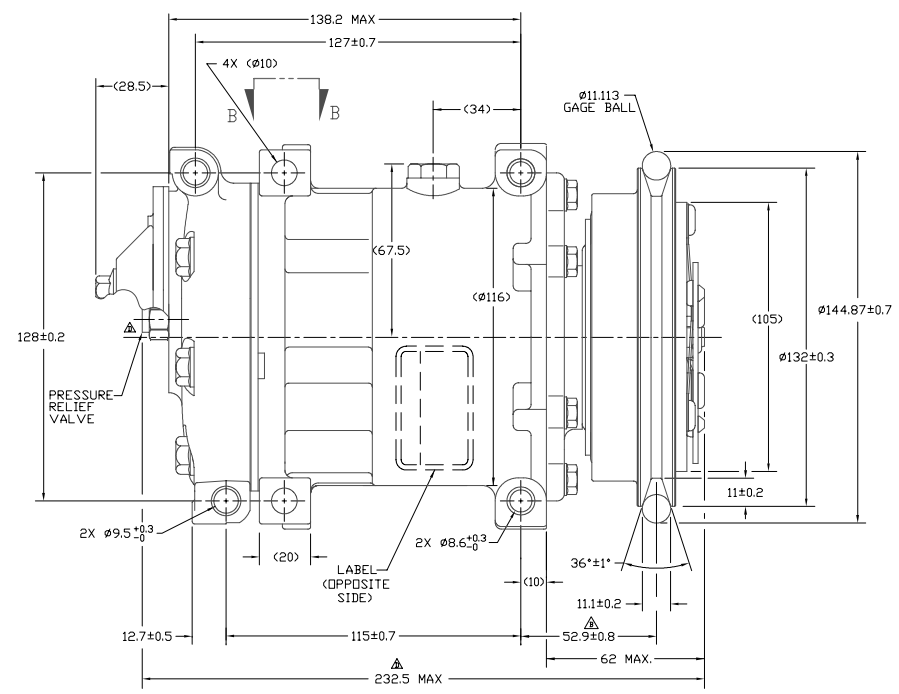


SECTION C-C



COMPRESSOR SPECIFICATIONS (REF)

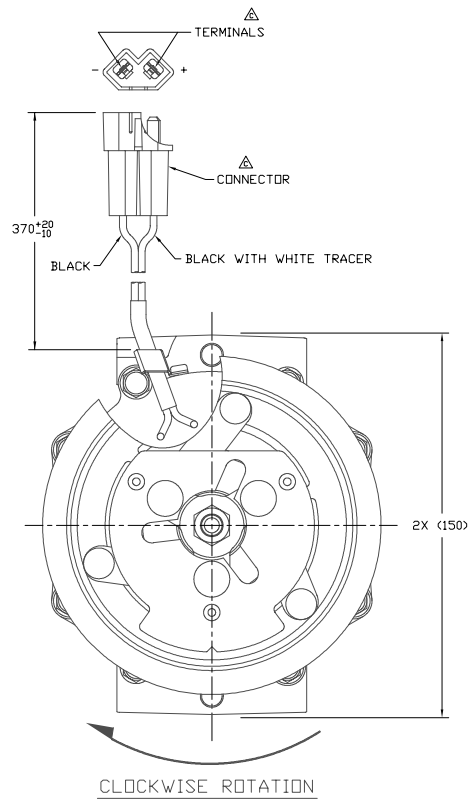
DISPLACEMENT PER REVOLUTION	154.9 cc / rev. (9.5 cu.in. / rev.)
MAXIMUM ALLOWABLE R.P.M.	8000 r.p.m.
MAXIMUM ALLOWABLE CONTINUOUS R.P.M.	6000 r.p.m.
REFRIGERANT	R134a
OIL (SP-15)	240 cc (8.1 fl. oz.)
WEIGHT	4.7 kg (10.3 lb.)



CLUTCH SPECIFICATIONS (REF)

RATED VOLTAGE	DC 12V
BREAKAWAY TORQUE	3.5 kgf-m min. @ 12V
MINIMUM ENGAGEMENT VOLTAGE	7.5V MIN. @ 0.6mm GAP
POWER CONSUMPTION	49 watts max.
BELT TYPE	A1
MAXIMUM ALLOWABLE BELT TENSION	60 kgf
PULLEY DIAMETER	Ø132mm (Ø5.2 in.)

NOTES:
1. COMPRESSOR/CLUTCH MUST CONFORM TO THE REQUIREMENTS OF SANDEN STANDARDS SES-214 REV. B AND SIA-ES-2002 REV. B.
2. NITROGEN HOLDING CHARGE DELETED.



RELEASED FOR PRODUCTION FROM TYPE V Schems 3/28/95 PWN J Soliolesi CHK H Dennis Lee 3/28/95 APPV Robert Garvey DATE 4/1/95 RELEASED FOR DESIGN VALIDATION PWN James Waldrop APPV MB DATE 07/13/05 RELEASED FOR PRODUCTION FROM PWN James Waldrop APPV MB DATE 07/13/05 RELEASED FOR PRODUCTION FROM PWN James Waldrop APPV MB DATE 07/13/05	SANDEN SANDEN INTERNATIONAL, U.S.A., INC. DRAWN SCALE REF: 1:1 PLATTED IDEAL REF: 1:1 METRIC This drawing and the information contained herein are CONFIDENTIAL and PROPRIETARY to Sanden International (U.S.A.), Inc. and are released in CONFIDENCE and shall not be used, copied, or disclosed to others without the written permission of Sanden International (U.S.A.), Inc. INTERPRETATION OF THIS DRAWING PER ASME Y14.5M-1994 THIRD ANGLE PROJECTION MATERIAL: NAME: Dwg No: 4329-6000 REV: D
--	---

DO NOT SCALE