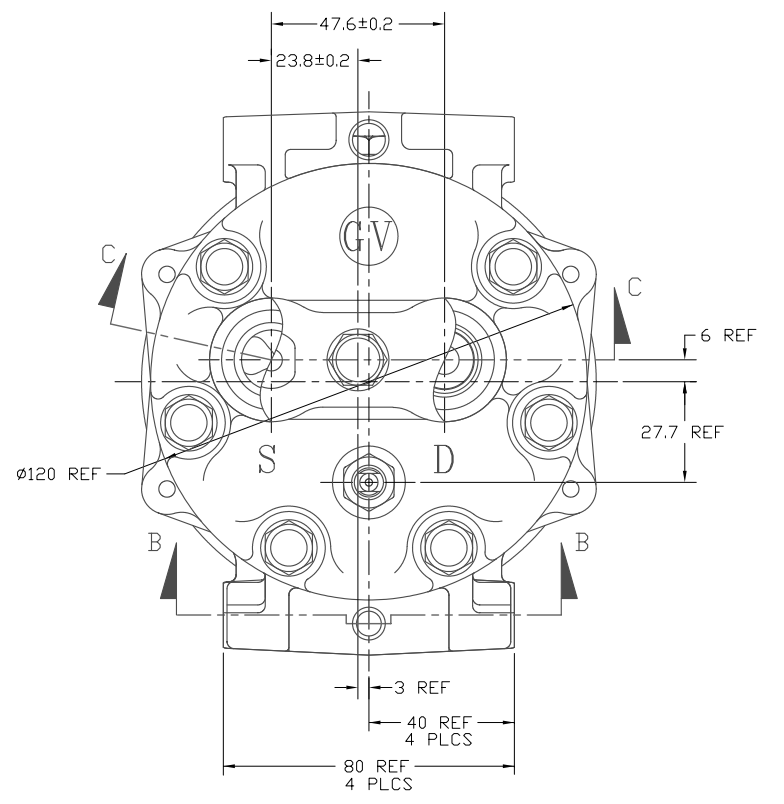
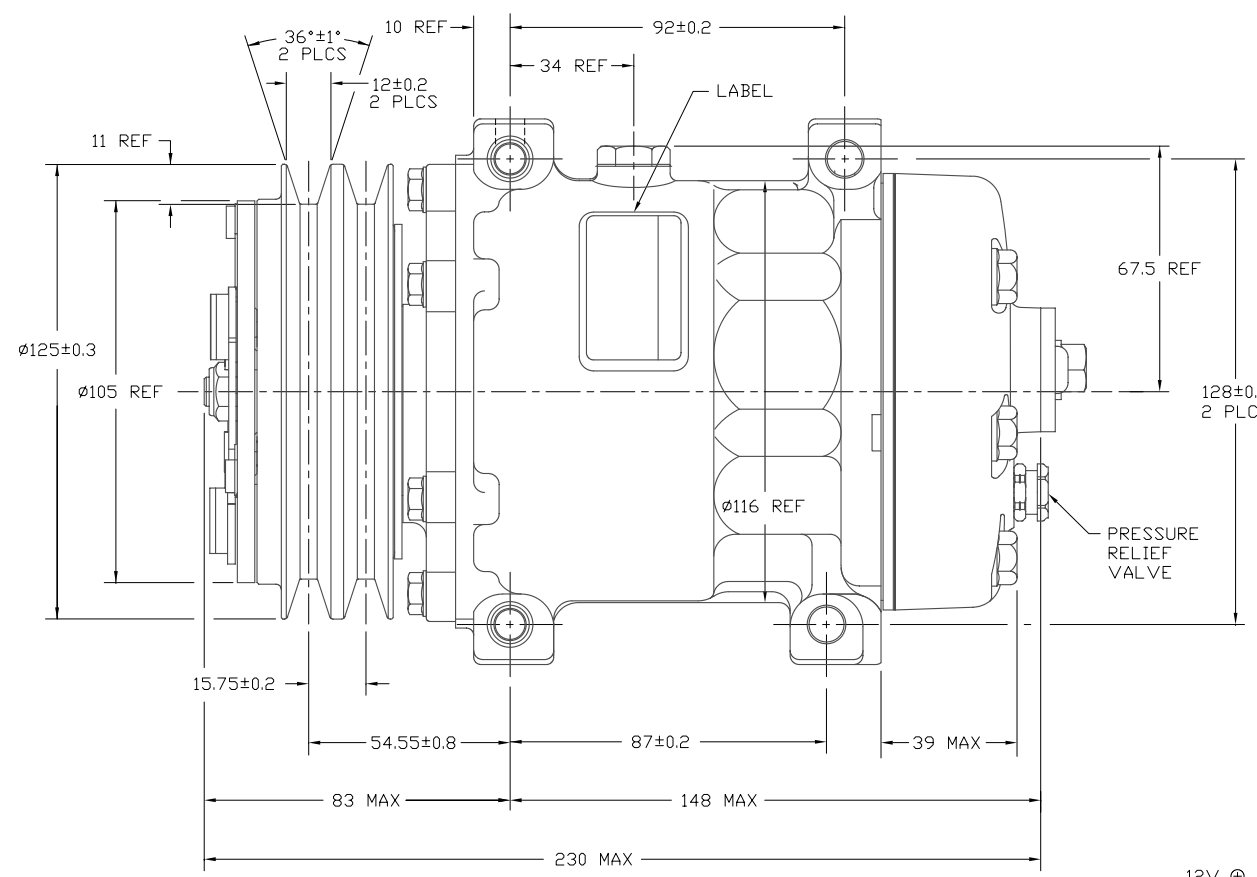
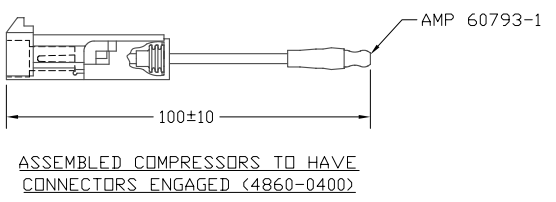
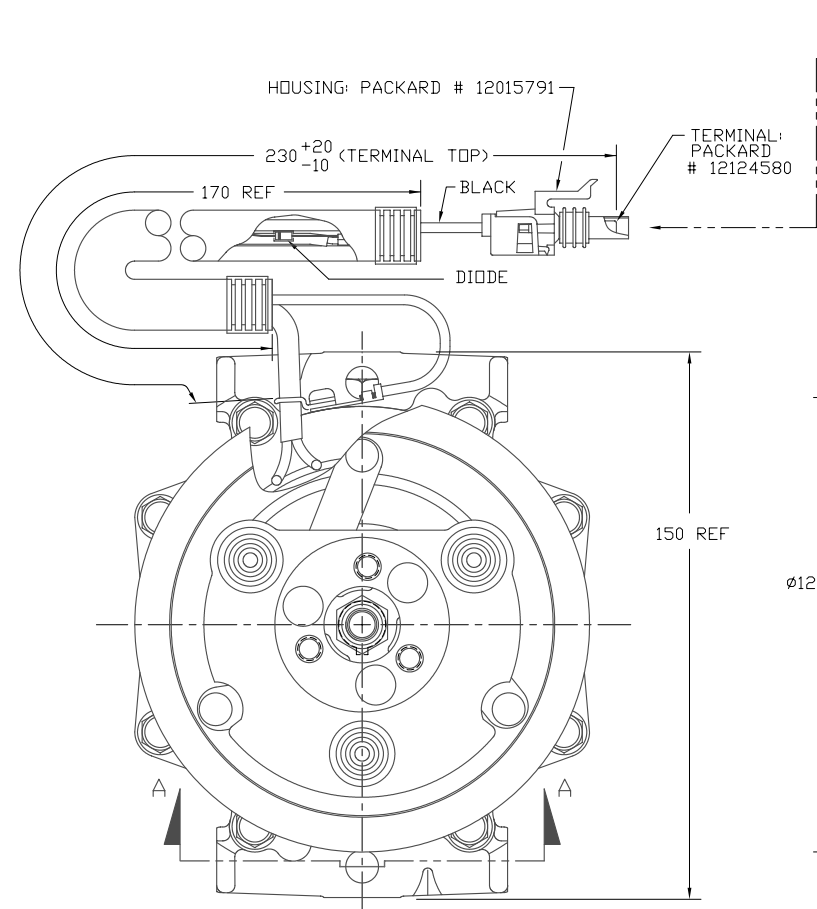
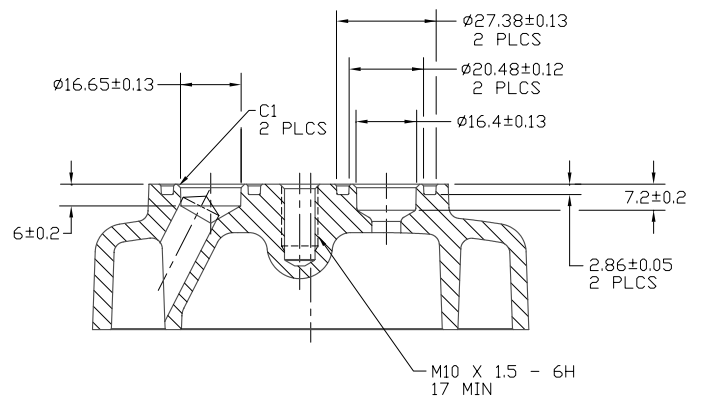
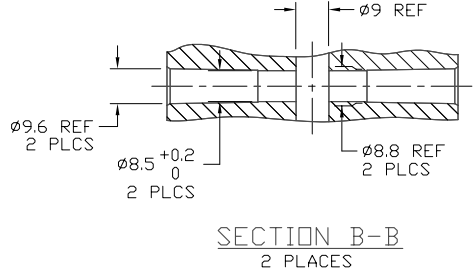
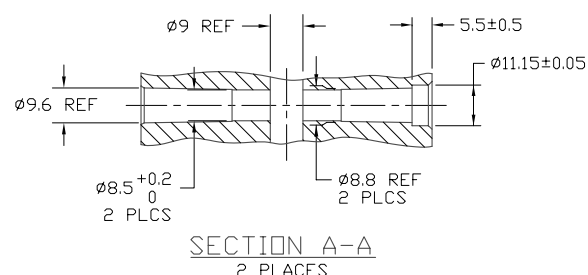


PDCN	REV	APPV	REVISIONS	DWN	DSGN	CHK	APPV
			INITIAL ISSUE				

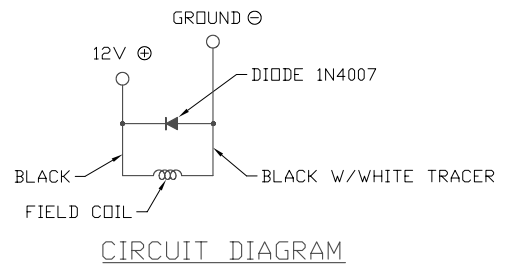


COMPRESSOR SPECIFICATIONS (REF)

DISPLACEMENT PER REVOLUTION	154.9 cc / rev. ( 9.5cu.in. / rev. )
MAXIMUM ALLOWABLE R.P.M.	8000 R.P.M.
MAXIMUM ALLOWABLE CONTINUOUS R.P.M.	6000 R.P.M.
REFRIGERANT	R134a
OIL ( SP-15 )	300 cc ( 10.1 fl.oz. )
WEIGHT	7.6 kg ( 16.8 lb )

CLUTCH SPECIFICATIONS (REF)

RATED VOLTAGE	DC 12V
BREAKAWAY TORQUE	3.5 kgf-m min. @ 12V
MINIMUM ENGAGEMENT VOLTAGE	7.5V @ AIR GAP 0.6mm REF
POWER CONSUMPTION	49 watts max.
BELT TYPE	A2 TYPE
MAXIMUM ALLOWABLE BELT TENSION	120 kgf per belt
PULLEY DIAMETER	$\phi 125$ mm ( 4.92 in. )
CLUTCH TYPE	HEAVY DUTY



NOTE:  
1. N<sub>2</sub> HOLDING CHARGE DELETED.

DO NOT SCALE

REV. LEVEL	RELEASED FOR: ENGR DEVELOPMENT		SCALE REF 1:1	PLOTTED SCALE REF 1:1	METRIC
DSGN	Shilpa Nagoraj		<small>This drawing and the information contained hereon are CONFIDENTIAL and PROPRIETARY to Sanden International (U.S.A.), Inc., are received in CONFIDENCE and shall not be used, copied, or disclosed to others without the written permission of Sanden International (U.S.A.), Inc.</small>		
DWN	R. Rodriguez	INTERPRETATION OF THIS DRAWING PER ASME Y14.5M-1994	THIRD ANGLE PROJECTION		
CHK	Dennis Lee	SIZE D			
APPV.	DATE 10/27/06	MATERIAL: -			
REV. LEVEL	RELEASED FOR: DESIGN VALIDATION	NAME			
DSGN		COMPRESSOR			
APPV.	DATE	DWG. NO. 4401-6000			
REV. LEVEL	RELEASED FOR: PRODUCTION	REV A			
DSGN					
APPV.	DATE				