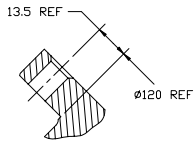
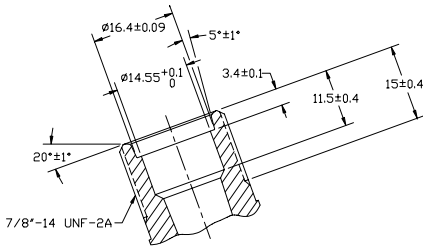


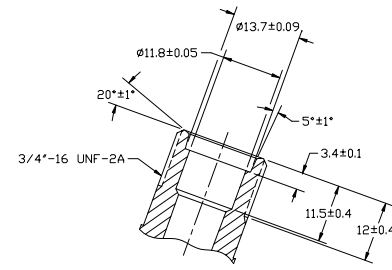
PCDN	REV.	APPR. DATE	REVISIONS	DWN	ESGN	CHK	APPV
2003346	1		INITIAL ISSUE				
2003346	2	01/09/04	CHANGED LEAD WIRE ON COMPRESSOR ASSEMBLY - 8 AIR GAP 0.6mm REF - LABEL WILL INCLUDE P/N, SERIAL NUMBER, AND SANDEN MODEL NUMBER	2002	J28	J28	J28
2004013	1	1/22/04	REVISED DGM1 4425505 WAS 4425563	2002	J28	J28	J28



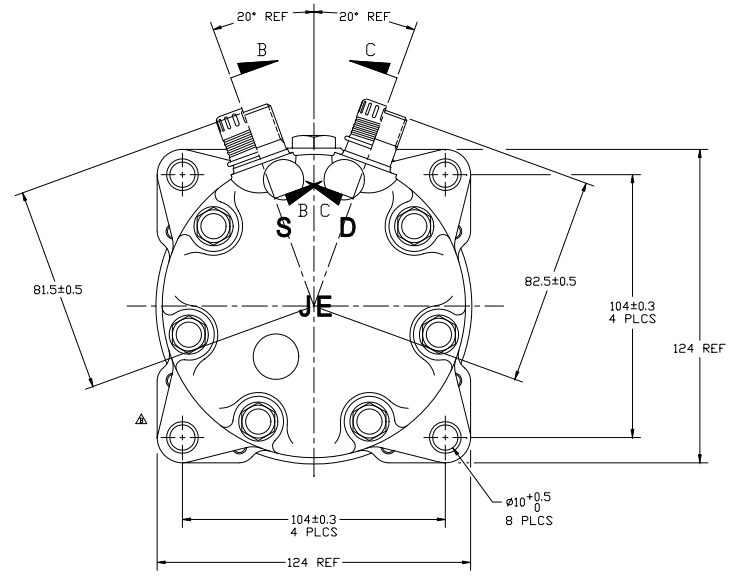
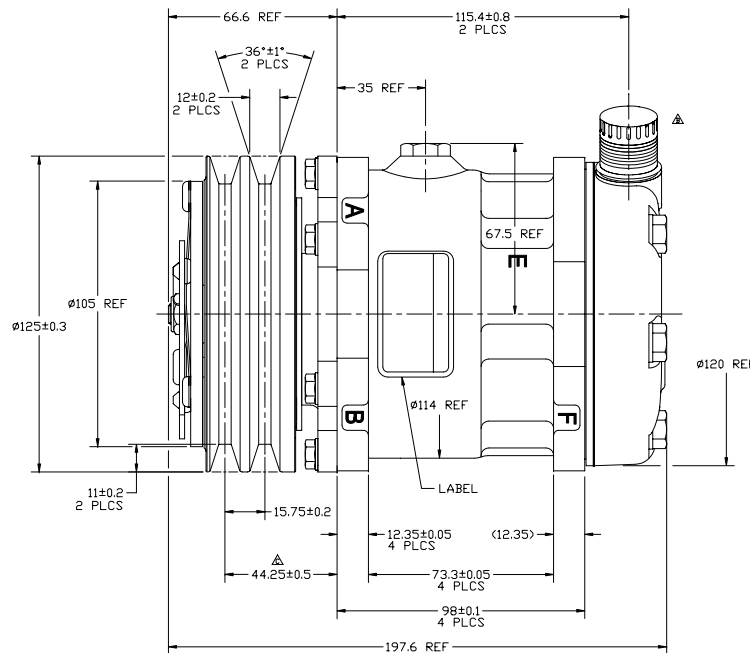
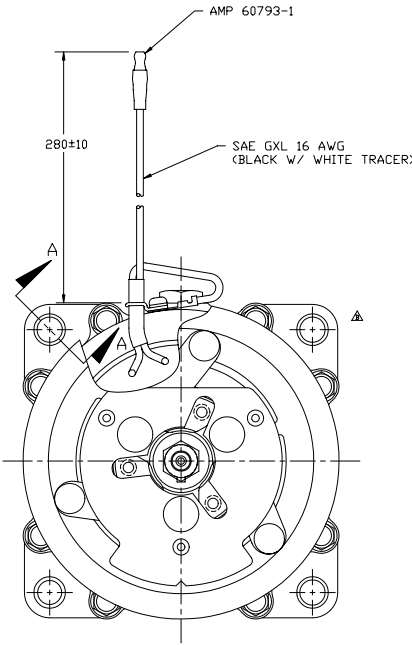
SECTION A-A



SECTION B-B  
SCALE - 2:1



SECTION C-C  
SCALE - 2:1



COMPRESSOR SPECIFICATIONS

DISPLACEMENT PER REVOLUTION	129.2 cc/rev. ( 7.9 cuin./rev. )
MAXIMUM ALLOWABLE R.P.M.	7000 r.p.m.
MAXIMUM ALLOWABLE CONTINUOUS R.P.M.	6000 r.p.m.
REFRIGERANT	R134a
OIL ( SP-20 DR EQUIV. )	135cc ( 4.6 fl.oz. )
WEIGHT	TBD

CLUTCH SPECIFICATIONS

RATED VOLTAGE	DC 12V
BREAKAWAY TORQUE	3.2 kgf·m ( 23.1 Ft.-lb. ) MIN.
MINIMUM ENGAGEMENT VOLTAGE	7.5V @ AIR GAP 0.6mm REF
POWER CONSUMPTION	49 Watts ( CU )
BELT TYPE	A TYPE
MAXIMUM ALLOWABLE BELT TENSION	60 kgf per belt
PULLEY DIAMETER	(Ø125mm)
CLUTCH TYPE	STANDARD

REV. LEVEL	RELEASED FOR PRODUCTION	DATE	01/22/04	BY	J28	APPV	J28
REV. LEVEL	RELEASED FOR DESIGN VALIDATION	DATE	01/09/04	BY	J28	APPV	J28
REV. LEVEL	RELEASED FOR PRODUCTION	DATE	01/09/04	BY	J28	APPV	J28
REV. LEVEL	RELEASED FOR PRODUCTION	DATE	01/09/04	BY	J28	APPV	J28
REV. LEVEL	RELEASED FOR PRODUCTION	DATE	01/09/04	BY	J28	APPV	J28

**SANDEN**  
SANDEN INTERNATIONAL (U.S.A.), INC.

SCALE REF 1:1 METRIC

THIRD ANGLE PROJECTION

MATERIAL: -

NAME: A/C COMPRESSOR

DWG. NO: 4456-6000

REV. C

DO NOT SCALE