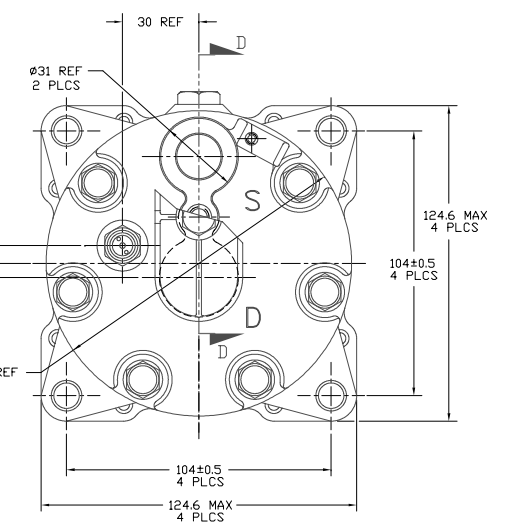
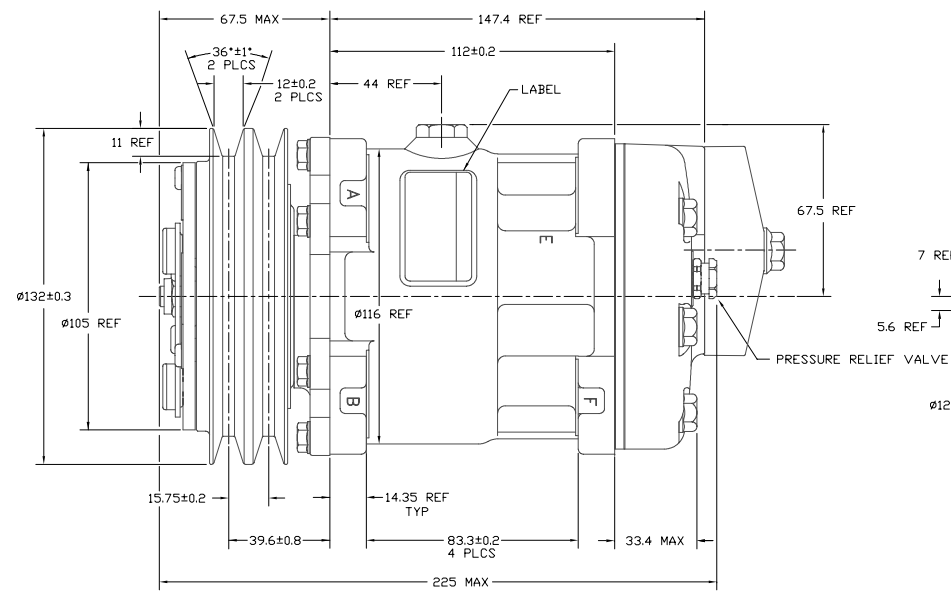
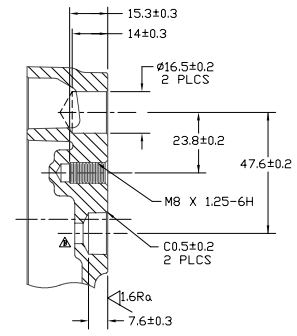
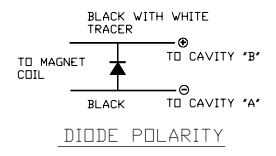
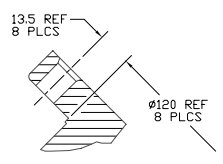
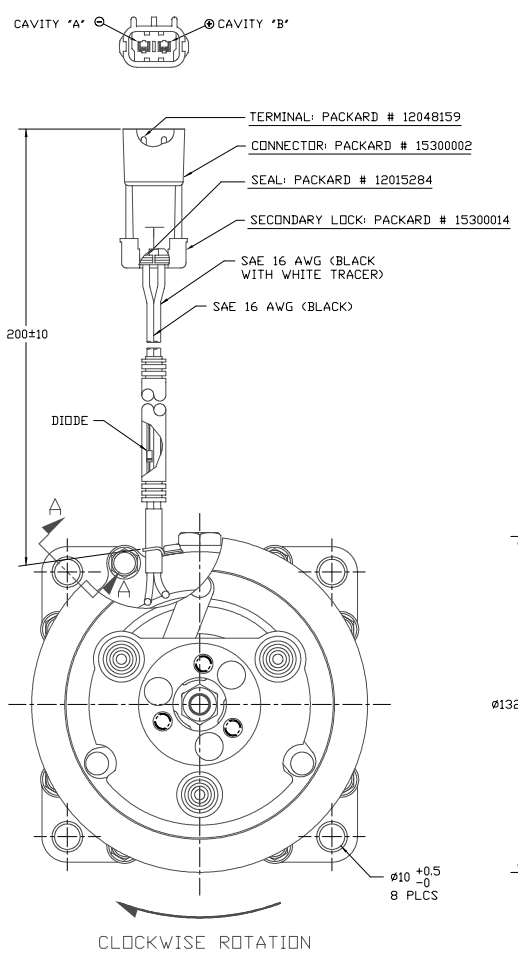


PCDN	REV	APPV	DATE	REVISIONS	DWN	ESGN	CHK	APPV
000009	Δ		3/3/06	INITIAL ISSUE	JS	JB	JRL	LV TB
				UPDATED DISCHARGE OFFICE DIAMETER				



COMPRESSOR SPECIFICATIONS (REF)

DISPLACEMENT PER REVOLUTION	154.9 cc / rev. (9.5cuin. / rev.)
MAXIMUM ALLOWABLE R.P.M.	8000 R.P.M.
MAXIMUM ALLOWABLE CONTINUOUS R.P.M.	6000 R.P.M.
REFRIGERANT	R134a
OIL (SP-15)	300 cc (8.1 fl.oz.)
WEIGHT	TBD

CLUTCH SPECIFICATIONS (REF)

RATED VOLTAGE	DC 12V
BREAKAWAY TORQUE	35 kgf-m min. @ 12V
MINIMUM ENGAGEMENT VOLTAGE	7.5V @ air gap 0.6mm
POWER CONSUMPTION	49 watts max.
BELT TYPE	A TYPE
MAXIMUM ALLOWABLE BELT TENSION	60 kgf per belt
PULLEY DIAMETER	Ø132 mm (5.2 in.)
CLUTCH TYPE	HEAVY DUTY

RELEASED FOR DESIGN DEVELOPMENT FROM 02/22/06 BY M. Heston DATE 02/22/06	SCALE REF 1:1 PLOTTED SCALE REF 1:1 METRIC	<p>SANDEN SANDEN INTERNATIONAL CORPORATION, INC.</p> <p>This drawing and the information contained herein are CONFIDENTIAL and PROPRIETARY to Sanden International (U.S.A.), Inc. and shall not be used, copied, or disclosed to others without the written permission of Sanden International (U.S.A.), Inc.</p>
INTERPRETATION OF THIS DRAWING PER ASME Y14.5M-1994	THIRD ANGLE PROJECTION SIZE D	
RELEASED FOR DESIGN VALIDATION FROM 02/22/06 BY M. Heston DATE 02/22/06	MATERIAL: -	NAME: COMPRESSOR
RELEASED FOR PRODUCTION VAL. 2 FROM 02/22/06 BY M. Heston DATE 02/22/06	DWG. NO. 4472-6000	REV B

DO NOT SCALE