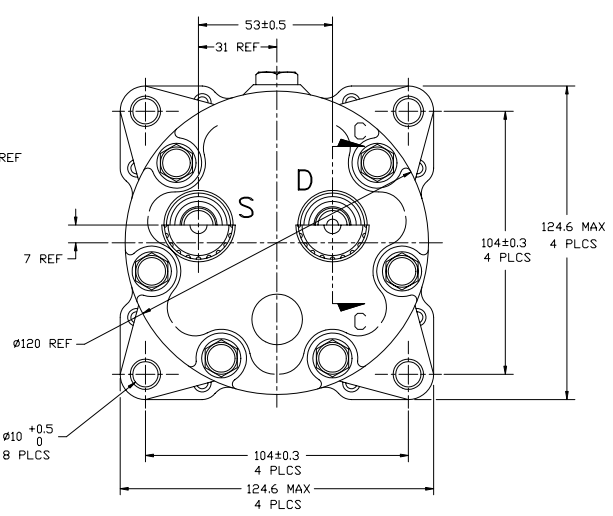
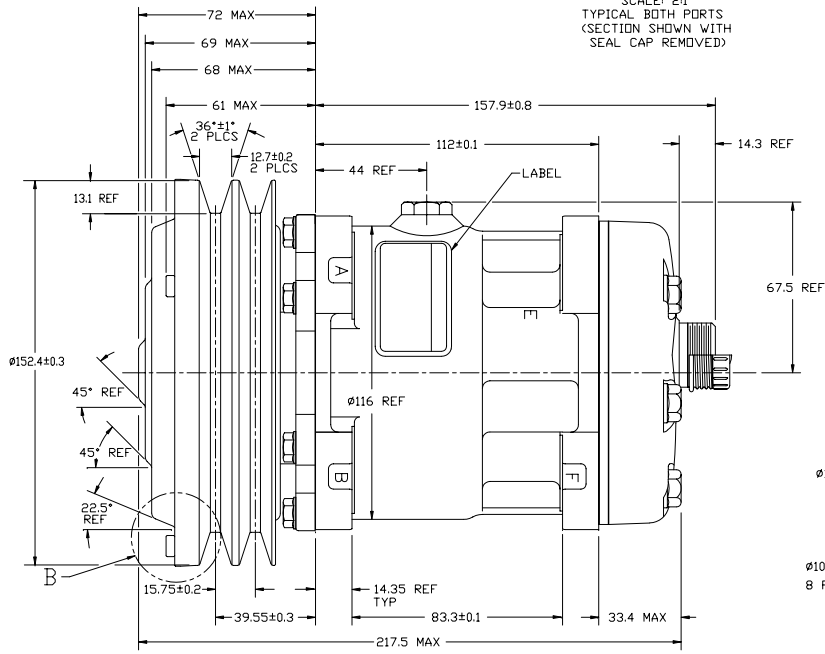
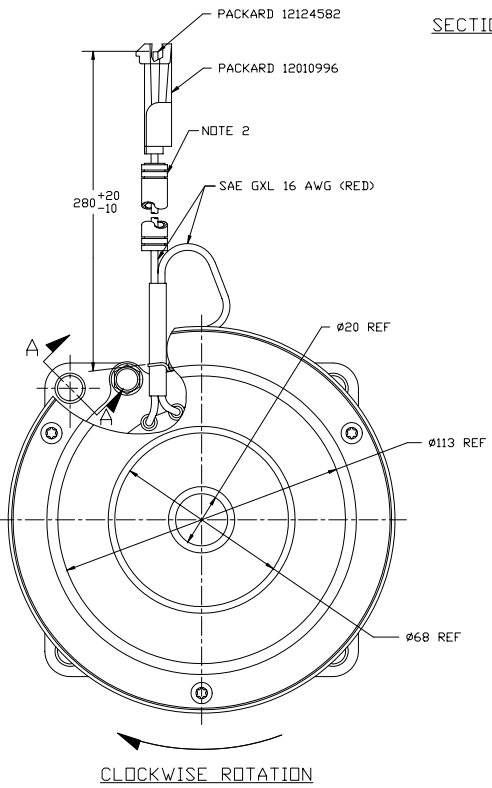
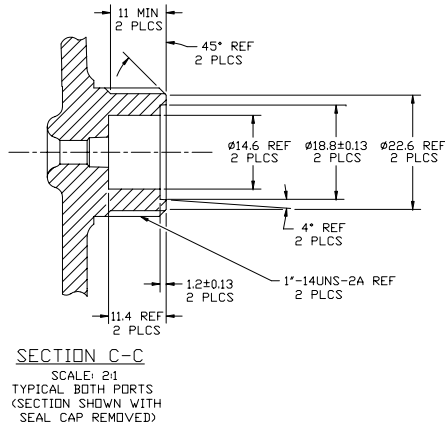
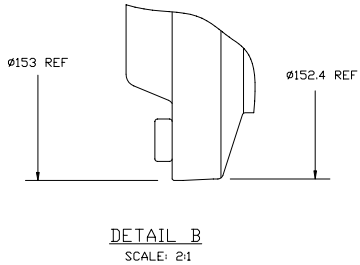
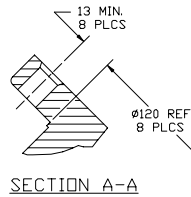


PCRN	REV.	APPLY DATE	REVISIONS	DWN	ESGN	CHK	APPV
	Δ		INITIAL RELEASE				



**COMPRESSOR SPECIFICATIONS**

DISPLACEMENT PER REVOLUTION	154.9 cc / rev. (9.5cuin. / rev.)
MAXIMUM ALLOWABLE R.P.M.	4000 R.P.M.
MAXIMUM ALLOWABLE CONTINUOUS R.P.M.	4000 R.P.M.
REFRIGERANT	R134a
OIL ( SP-15 )	285 cc (9.6 fl.oz.)
WEIGHT	kg ( lb.)

**CLUTCH SPECIFICATIONS**

RATED VOLTAGE	DC 12V
BREAKAWAY TORQUE	3.5 kgf·m MIN. @ 12V
MINIMUM ENGAGEMENT VOLTAGE	7.5V MAX. @ AIR GAP 0.4-0.8mm
POWER CONSUMPTION	43 watts MAX.
BELT TYPE	A TYPE
MAXIMUM ALLOWABLE BELT TENSION	60 kgf PER BELT
PULLEY DIAMETER	Ø152.4 (6in.)
CLUTCH TYPE	SEALED HEAVY DUTY

REV. LEVEL	RELEASED FOR PRODUCTION	DATE	1/13/04	BY	APPROVED	DATE	1/13/04	BY	APPROVED
A	INITIAL RELEASE								
		SANDEN INTERNATIONAL (U.S.A.), INC. DRAWN BY: <i>[Signature]</i> / 1/13/04 CHECKED BY: <i>[Signature]</i> / 1/13/04 APPLIC. BY: <i>[Signature]</i> / 1/13/04 RELEASED FOR DESIGN VALIDATION: <i>[Signature]</i> / 1/13/04 APPLIC. BY: <i>[Signature]</i> / 1/13/04 RELEASED FOR PRODUCTION: <i>[Signature]</i> / 1/13/04 APPLIC. BY: <i>[Signature]</i> / 1/13/04 RELEASED FOR PRODUCTION: <i>[Signature]</i> / 1/13/04 APPLIC. BY: <i>[Signature]</i> / 1/13/04 RELEASED FOR PRODUCTION: <i>[Signature]</i> / 1/13/04 APPLIC. BY: <i>[Signature]</i> / 1/13/04							
This drawing and the information contained herein are CONFIDENTIAL and PROPRIETARY to Sanden International (U.S.A.), Inc. and its subsidiaries. It is to be used only for the purpose intended and shall not be used, copied, or disclosed to others without the written permission of Sanden International (U.S.A.), Inc.		INTERPRETATION OF THIS DRAWING PER ASME Y14.5M-1994 THIRD ANGLE PROJECTION MATERIAL: _____ NAME: _____ DIV. NO.: 4478-6000 REV. A							

**DO NOT SCALE**