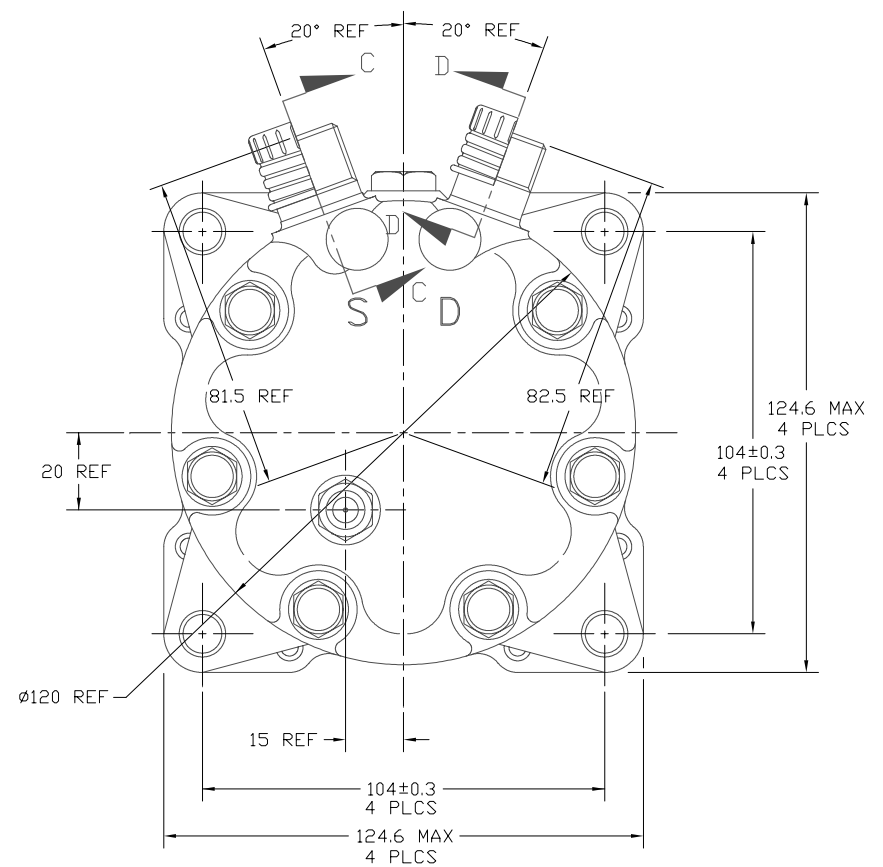
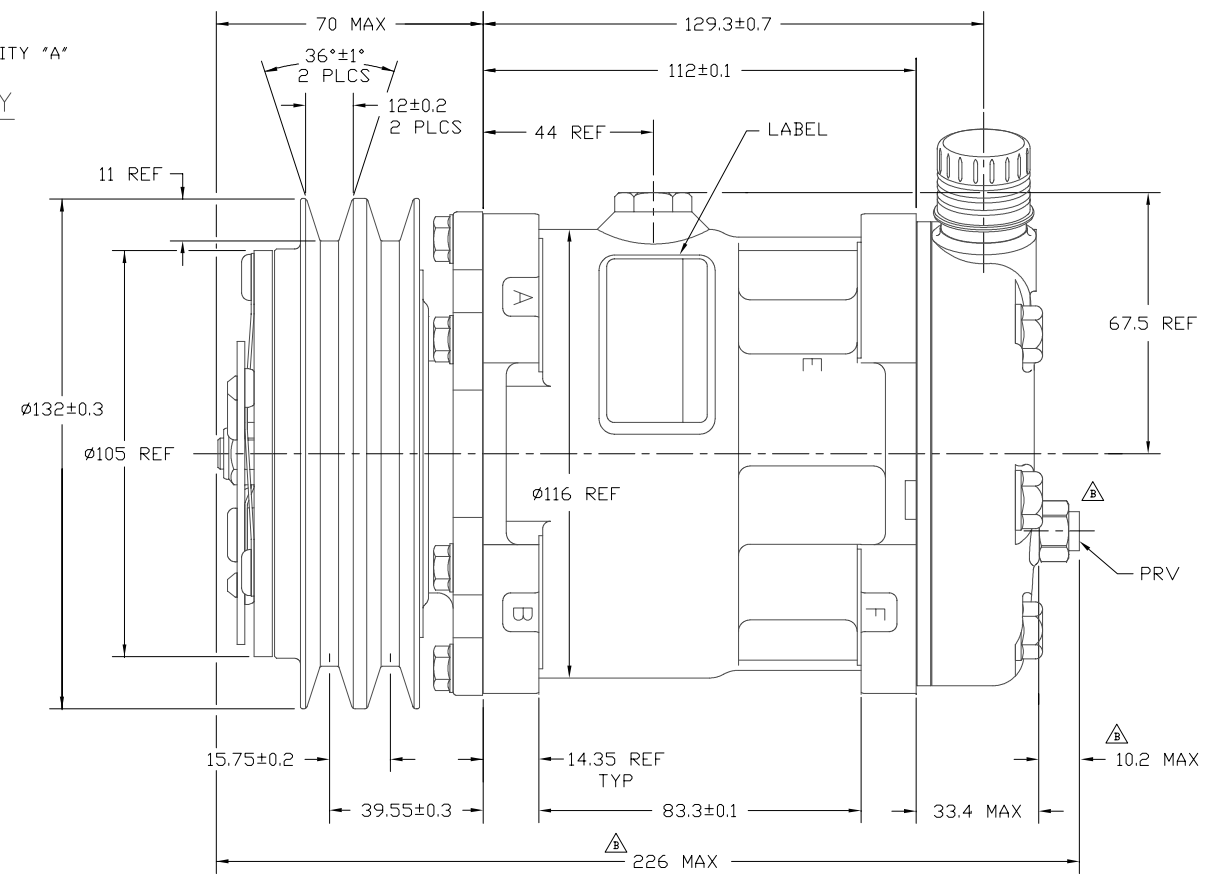
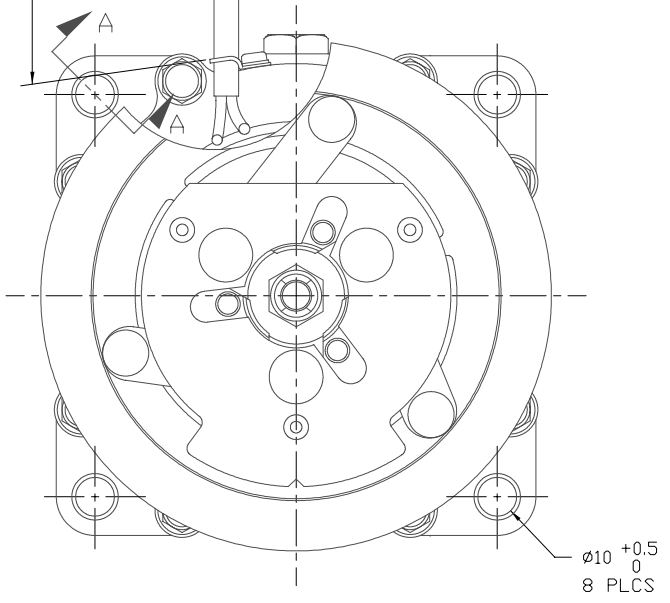
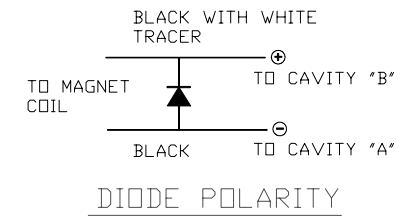
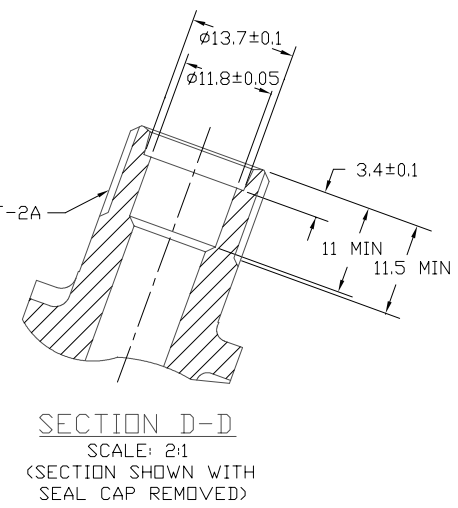
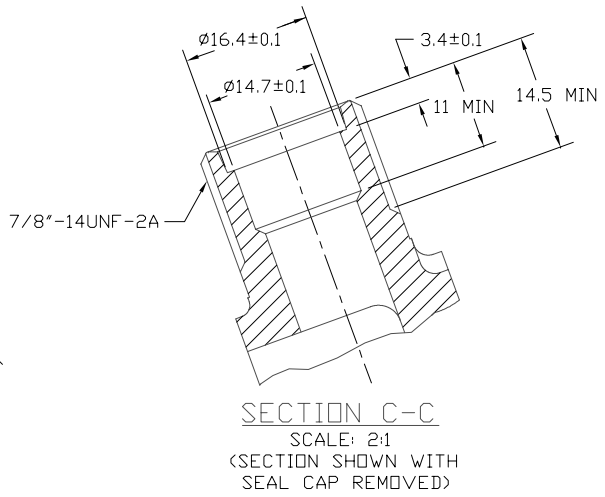
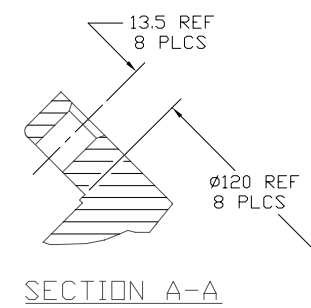
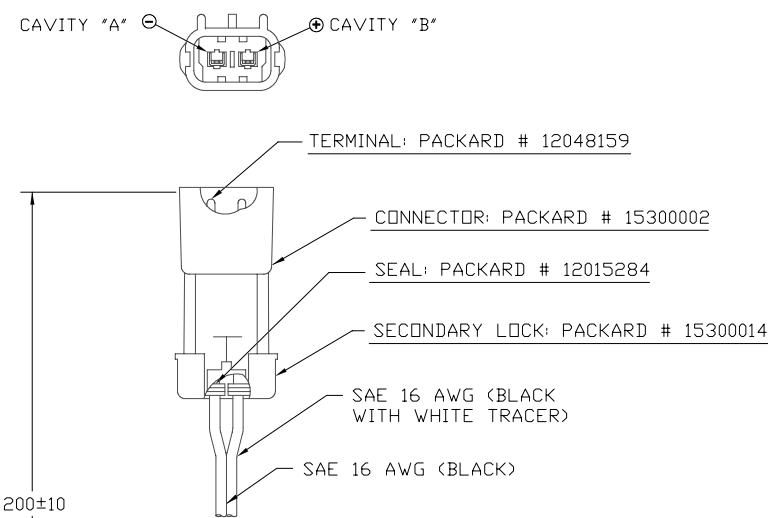


PDCN	REV.	APPV DATE	REVISIONS	DWN	DSGN	CHK	APPV
	△		INITIAL ISSUE				
2006310	△	01/25/07	PRV CHANGE: 4307-6470 WAS 4967-6470 10.2 MAX WAS 9.2 MAX; 226 MAX WAS 225 MAX	RSR	JW	DRL	RM



COMPRESSOR SPECIFICATIONS (REF)

DISPLACEMENT PER REVOLUTION	154.9 cc / rev. (9.5cu.in. / rev.)
MAXIMUM ALLOWABLE R.P.M.	8000 R.P.M.
MAXIMUM ALLOWABLE CONTINUOUS R.P.M.	6000 R.P.M.
REFRIGERANT	R134a
OIL (SP-15)	300 cc (8.1 floz.)
WEIGHT	7.6 kg (16.8 lb.)

CLUTCH SPECIFICATIONS (REF)

RATED VOLTAGE	DC 12V
BREAKAWAY TORQUE	3.5 kgf-m min. @ 12V
MINIMUM ENGAGEMENT VOLTAGE	7.5V @ AIR GAP 0.6mm
POWER CONSUMPTION	49 watts max.
BELT TYPE	A TYPE
MAXIMUM ALLOWABLE BELT TENSION	60 kgf per belt
PULLEY DIAMETER	Ø132 mm (5.2 in.)
CLUTCH TYPE	HEAVY DUTY

DO NOT SCALE

REV. LEVEL	RELEASED FOR: ENGG. DEVELOPMENT	<p>SANDEN INTERNATIONAL (U.S.A.), INC.</p>
DWN	KS HF	
CHK	Mark Harrington	DRAWN SCALE REF 1:1 PLOTTED SCALE REF NONE METRIC
APPV.	Dennis Lee 4/6/04	<p>This drawing and the information contained hereon are CONFIDENTIAL and PROPRIETARY to Sanden International (U.S.A.), Inc., and received in CONFIDENCE and shall not be used, copied, or disclosed to others without the written permission of Sanden International (U.S.A.), Inc.</p>
APPV. DATE	NB JC 4/12/04	
REV. LEVEL	RELEASED FOR: DESIGN VALIDATION	INTERPRETATION OF THIS DRAWING PER ASME Y14.5M-1994
DWN	KS HF	THIRD ANGLE PROJECTION
CHK	Mark Harrington	SIZE D
APPV.	NB JC 4/13/2004	MODEL:
APPV. DATE	NB JC 4/13/2004	NAME
REV. LEVEL	RELEASED FOR: PRODUCTION VAL'D.	COMPRESSOR
DWN	KS HF	DWG. NO. 4488-6000
CHK	Mark Harrington	REV. B
APPV.	NB JC 4/13/2004	
APPV. DATE	NB JC 4/13/2004	