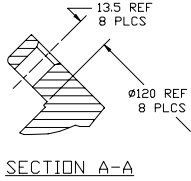
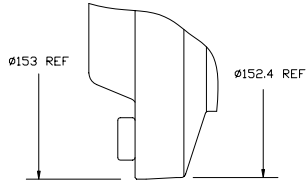


16 | 15 | 14 | 13 | 12 | 11 | 10 | 9 | 8 | 7 | 6 | 5 | 4 | 3 | 2 | 1

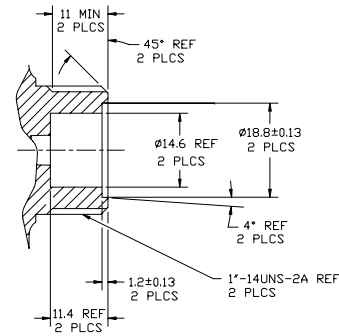
PCRN	REV	APPV DATE	REVISIONS	DWN	ESGN	CHK	APPV
	Δ		INITIAL RELEASE				



SECTION A-A

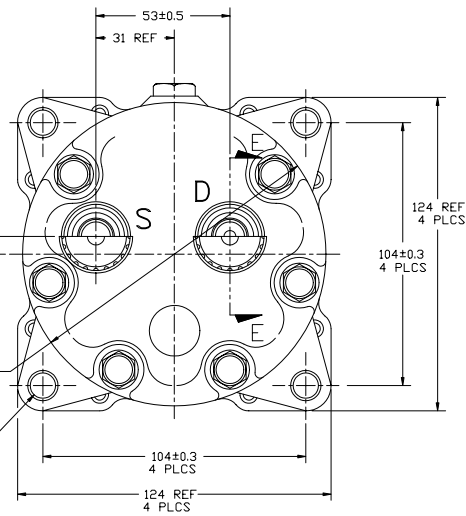
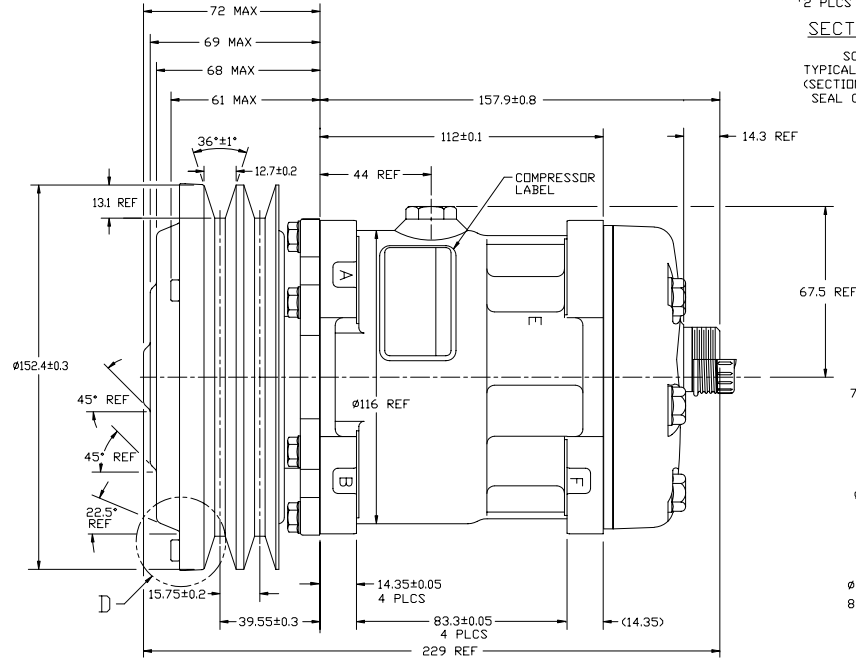
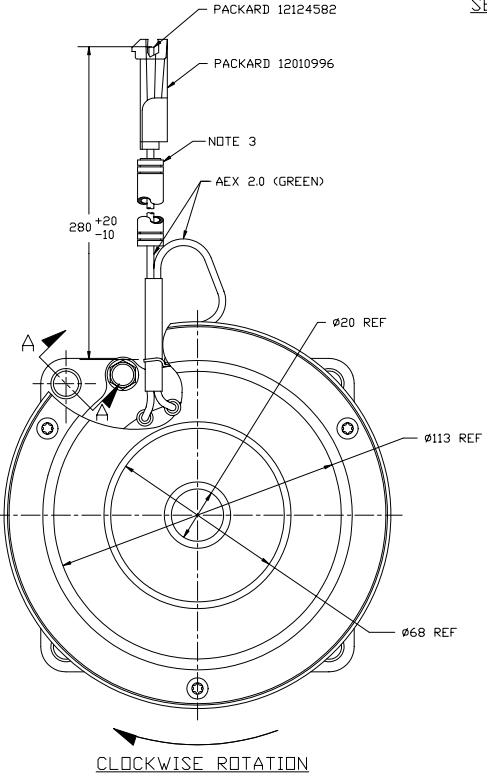


DETAIL D
SCALE: 2:1



SECTION E-E

SCALE: 2:1
TYPICAL BOTH PORTS
(SECTION SHOWN WITH
SEAL CAP REMOVED)



COMPRESSOR SPECIFICATIONS

DISPLACEMENT PER REVOLUTION	154.9cc/rev. (9.5cuin./rev.)
MAXIMUM ALLOWABLE R.P.M.	4000 R.P.M.
MAXIMUM ALLOWABLE CONTINUOUS R.P.M.	4000 R.P.M.
REFRIGERANT	R134a
OIL (SP-15)	285cc (9.6 fl. oz.)

CLUTCH SPECIFICATIONS

RATED VOLTAGE	DC 24V
BREAKAWAY TORQUE	3.5 kgf-m MIN. @ 24V
MINIMUM ENGAGEMENT VOLTAGE	16VMAX @ AIR GAP 0.4-0.8mm
POWER CONSUMPTION	40 watts MAX.
BELT TYPE	A TYPE
MAXIMUM ALLOWABLE BELT TENSION	60 kgf PER BELT
PULLEY DIAMETER	Ø152.4mm (6 in.)
CLUTCH TYPE	SEALED HEAVY DUTY

REV. LEVEL	RELEASED FOR PRODUCTION	<p>SANDEN INTERNATIONAL (U.S.A.), INC.</p>	<p>THIS DRAWING AND THE INFORMATION CONTAINED HEREON ARE CONFIDENTIAL AND PROPRIETARY TO Sanden International (U.S.A.), Inc. and are loaned in CONFIDENCE and shall not be used, copied, or disclosed to others without the written permission of Sanden International (U.S.A.), Inc.</p>
A	CHK J. Schindler DWN J. Schindler APPV. NB JC DATE 4/12/04		
REV. LEVEL	DESIGN VALIDATION	INTERPRETATION OF THIS DRAWING PER ASME Y14.5M-1994	SIZE D
A	CHK J. Schindler DWN J. Schindler APPV. NB JC DATE 4/13/04	THIRD ANGLE PROJECTION	
REV. LEVEL	RELEASED FOR PRODUCTION	MATERIAL	
A	CHK J. Schindler DWN J. Schindler APPV. NB JC DATE 4/13/04		
REV. LEVEL	RELEASED FOR PRODUCTION	NAME	COMPRESSOR
A	CHK J. Schindler DWN J. Schindler APPV. NB JC DATE 4/13/04	DWG. NO.	4489-6000
		REV	A

DO NOT SCALE

16 | 15 | 14 | 13 | 12 | 11 | 10 | 9 | 8 | 7 | 6 | 5 | 4 | 3 | 2 | 1