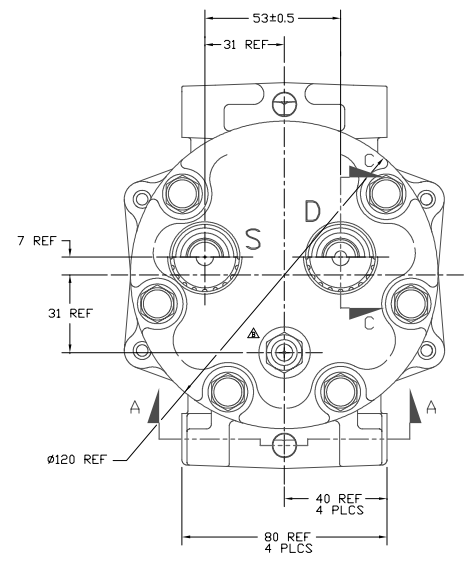
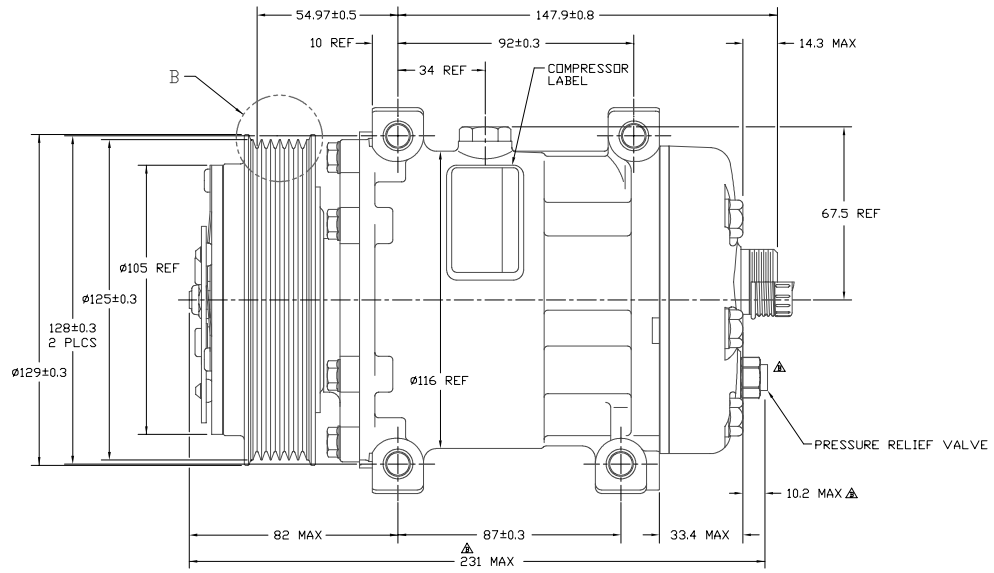
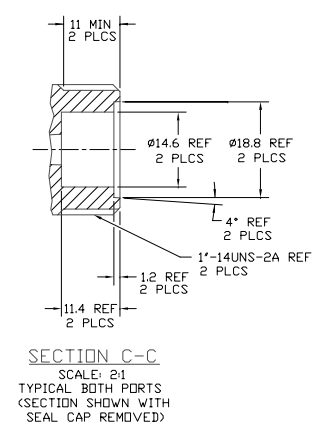
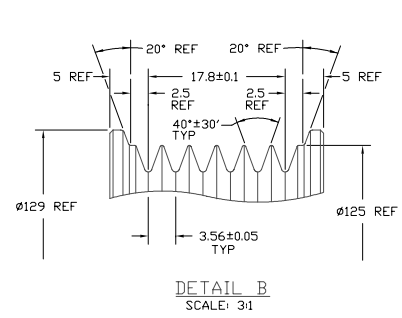
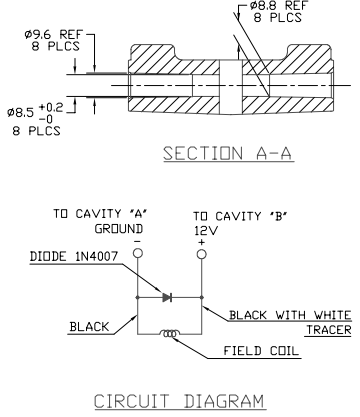
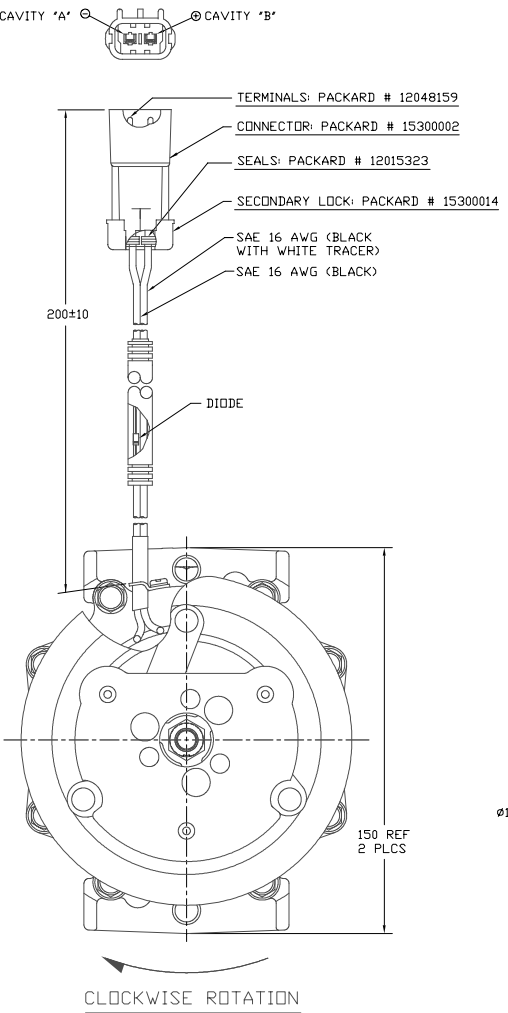


PDCN	REV.	DATE	REVISIONS			DWN	ESGN	CHK	APPV
			INITIAL RELEASE						
200630	A	12/11/06	REV 4307-6470 WAS 4967-6470			JS	JW	DRL	TK
			EST. MAX WAS 232 MAX						
			DEL. MAX WAS 9.2 MAX						



COMPRESSOR SPECIFICATIONS (REF)

DISPLACEMENT PER REVOLUTION	154.9 cc / rev. (9.5cuin. / rev.)
MAXIMUM ALLOWABLE R.P.M.	8000 R.P.M.
MAXIMUM ALLOWABLE CONTINUOUS R.P.M.	6000 R.P.M.
REFRIGERANT	R134a
OIL (SP-15)	300 cc (10.1 fl.oz.)
WEIGHT	7.4 kgf (16.4 lb.)

CLUTCH SPECIFICATIONS (REF)

RATED VOLTAGE	DC 12V
BREAKAWAY TORQUE	3.5 kgf-m min. @ 12V
MINIMUM ENGAGEMENT VOLTAGE	7.5V @ AIR GAP 0.6mm
POWER CONSUMPTION	49 watts max.
BELT TYPE	PV6 TYPE
MAXIMUM ALLOWABLE BELT TENSION	90 kgf
PULLEY DIAMETER	Ø125 mm (4.9 in.)
CLUTCH TYPE	HEAVY DUTY

DO NOT SCALE

RELEASED FOR PRODUCTION DATE: 4/13/04 APPV: NB JC	SANDEN SANDEN INTERNATIONAL (U.S.A.), INC. SCALE REF: 1:1 PLATTED IDEAL REF: 1:1 METRIC
RELEASED FOR PRODUCTION DATE: 4/13/04 APPV: NB JC	This drawing and the information contained herein are CONFIDENTIAL and PROPRIETARY to Sanden International (U.S.A.), Inc. and are released in CONFIDENCE and shall not be used, copied, or disclosed to others without the written permission of Sanden International (U.S.A.), Inc.
RELEASED FOR PRODUCTION DATE: 4/13/04 APPV: NB JC	INTERPRETATION OF THIS DRAWING PER ASME Y14.5M-1994 THIRD ANGLE PROJECTION ⌀ ← →
RELEASED FOR PRODUCTION DATE: 4/13/04 APPV: NB JC	MODEL: _____ NAME: _____ COMPRESSOR
RELEASED FOR PRODUCTION DATE: 4/13/04 APPV: NB JC	DWG NO: 4492-6000 REV: B