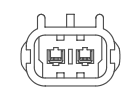
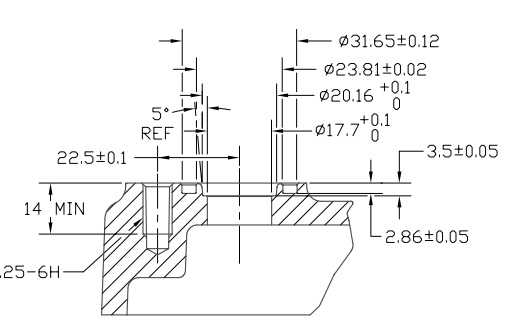
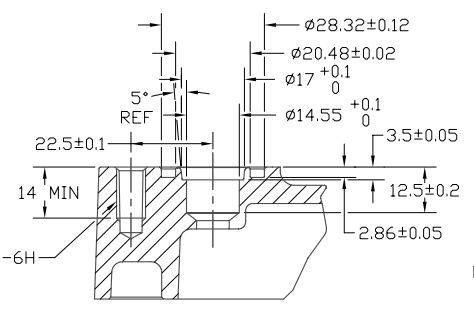
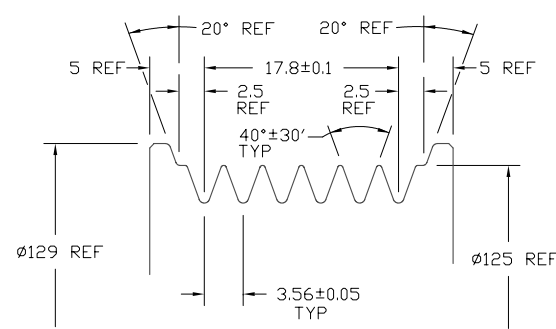
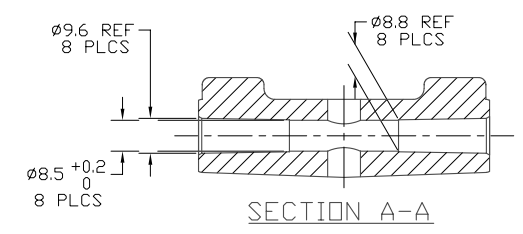
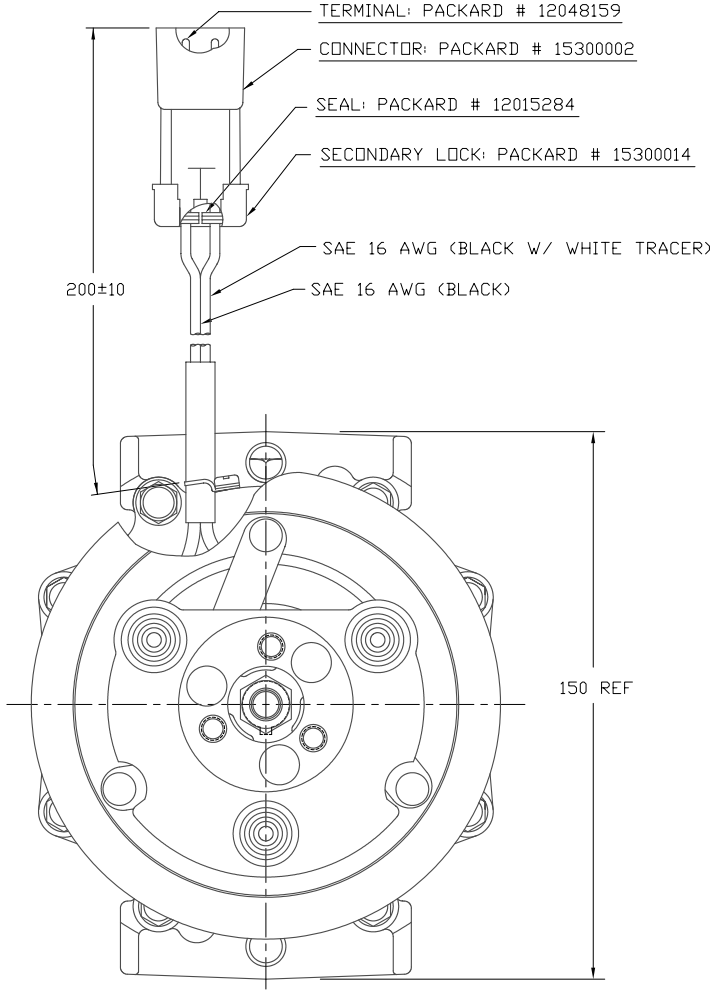


PDCN	REV	APPV	DATE	REVISIONS	DWN	DSGN	CHK	APPV
2005188	A	NB	09/15/03	CHANGED SUCTION PORT SHIPPING PLATE FROM 8003-6330 TO 8003-6340	RSR	NB	DRL	NB



- TERMINAL: PACKARD # 12048159
- CONNECTOR: PACKARD # 15300002
- SEAL: PACKARD # 12015284
- SECONDARY LOCK: PACKARD # 15300014

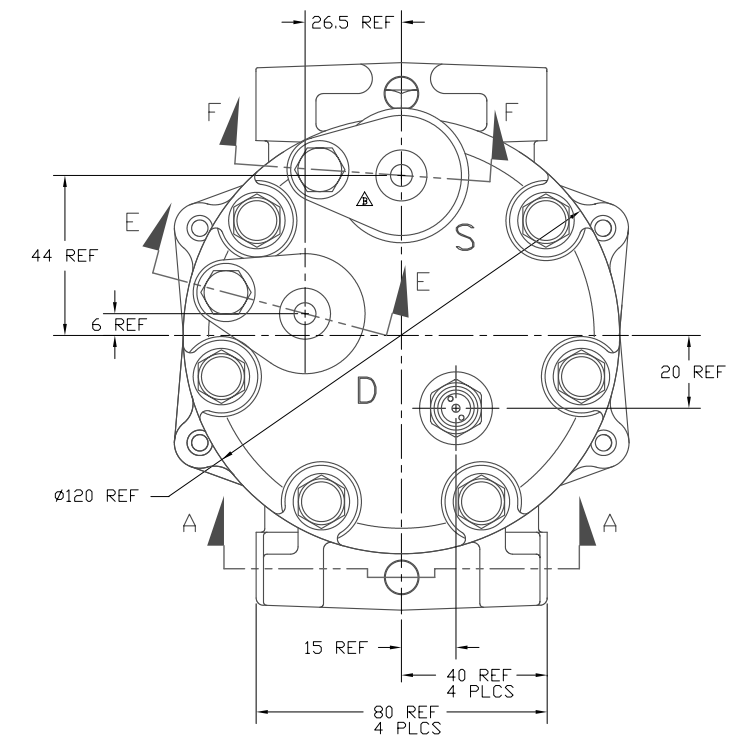
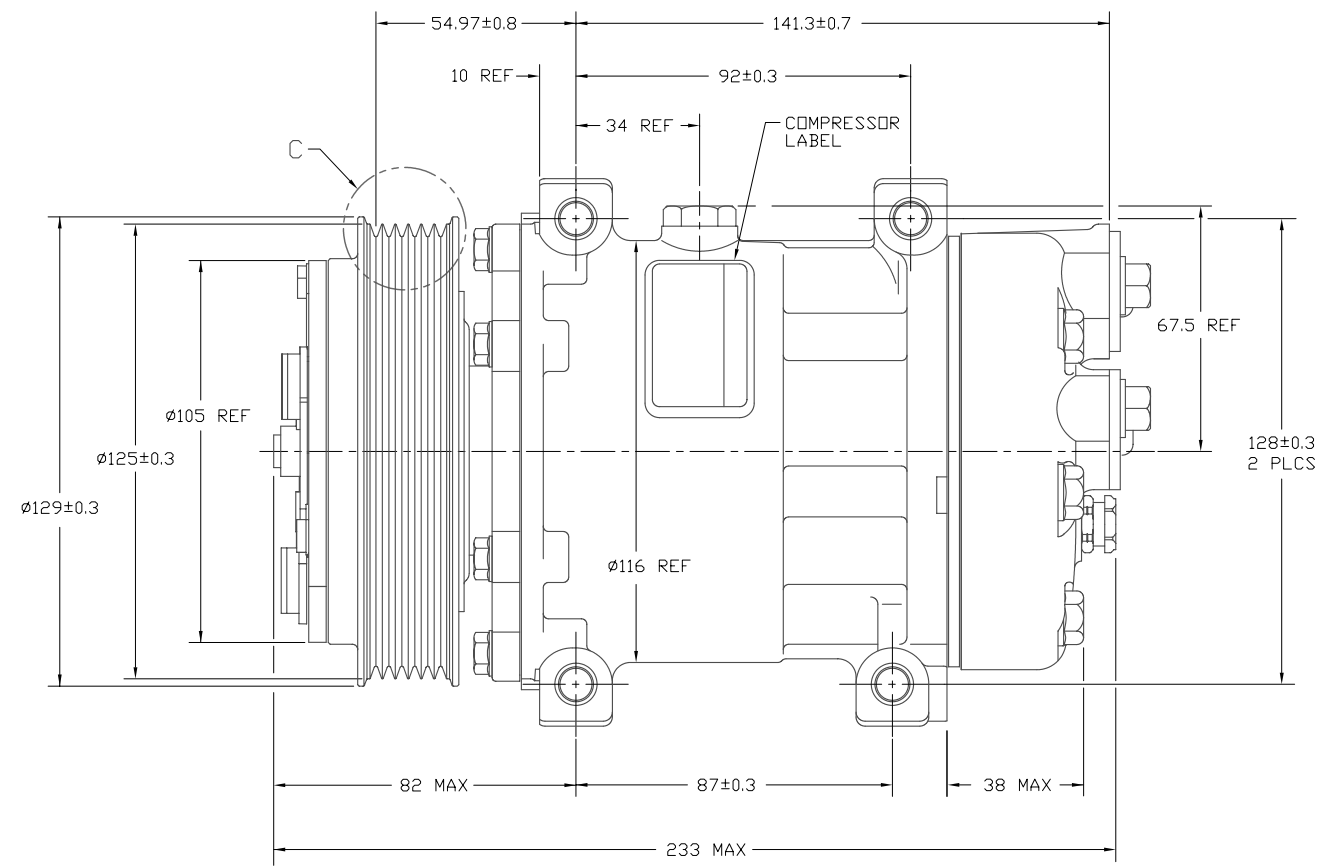


CLOCKWISE ROTATION

DETAIL C  
SCALE: 3:1

SECTION E-E  
SECTION SHOWN WITHOUT SHIPPING PAD ASSEMBLY ROTATED 15°

SECTION F-F  
SECTION SHOWN WITHOUT SHIPPING PAD ASSEMBLY ROTATED 5°



COMPRESSOR SPECIFICATIONS

DISPLACEMENT PER REVOLUTION	154.9 cc / rev. ( 9.5cu.in. / rev. )
MAXIMUM ALLOWABLE R.P.M.	8000 R.P.M.
MAXIMUM ALLOWABLE CONTINUOUS R.P.M.	6000 R.P.M.
REFRIGERANT	R134a
OIL ( SP-15 )	300 cc ( 10.1 floz. )
WEIGHT	TBD

CLUTCH SPECIFICATIONS

RATED VOLTAGE	DC 12V
BREAKAWAY TORQUE	3.5 kgf-m min. @ 12V
MINIMUM ENGAGEMENT VOLTAGE	7.5V @ AIR GAP 0.6mm REF
POWER CONSUMPTION	49 watts max.
BELT TYPE	PV6 TYPE
MAXIMUM ALLOWABLE BELT TENSION	90 kgf
PULLEY DIAMETER	Ø125 mm ( 4.92 in. )
CLUTCH TYPE	HEAVY DUTY

DO NOT SCALE

REV. LEVEL	RELEASED FOR: ENGR DEVELOPMENT	<p>SANDEN INTERNATIONAL ( U.S.A. ), INC.</p>
DSGN	M. Harrington	
DWN	J. Solovick	<p>DRAWN SCALE REF 1:1 PLOTTED SCALE REF 1:1 METRIC</p> <p>This drawing and the information contained hereon are CONFIDENTIAL and PROPRIETARY to Sanden International (U.S.A.), Inc., are received in CONFIDENCE and shall not be used, copied, or disclosed to others without the written permission of Sanden International (U.S.A.), Inc.</p>
CHK	Dennis Lee 4/8/04	
APPV.	NB JC	<p>INTERPRETATION OF THIS DRAWING PER ASME Y14.5M-1994</p> <p>THIRD ANGLE PROJECTION</p>
DATE	4/12/04	
REV. LEVEL	RELEASED FOR: DESIGN VALIDATION	<p>MATERIAL:</p>
DSGN	M. Harrington	
APPV.	NB JC	<p>NAME</p>
DATE	4/13/04	
REV. LEVEL	RELEASED FOR: PRODUCTION	<p>COMPRESSOR</p>
DSGN	M. Harrington	
APPV.	NB JC	<p>DWG. NO. 4494-6000</p>
DATE	4/13/04	
REV. LEVEL	RELEASED FOR: PRODUCTION	<p>REV B</p>