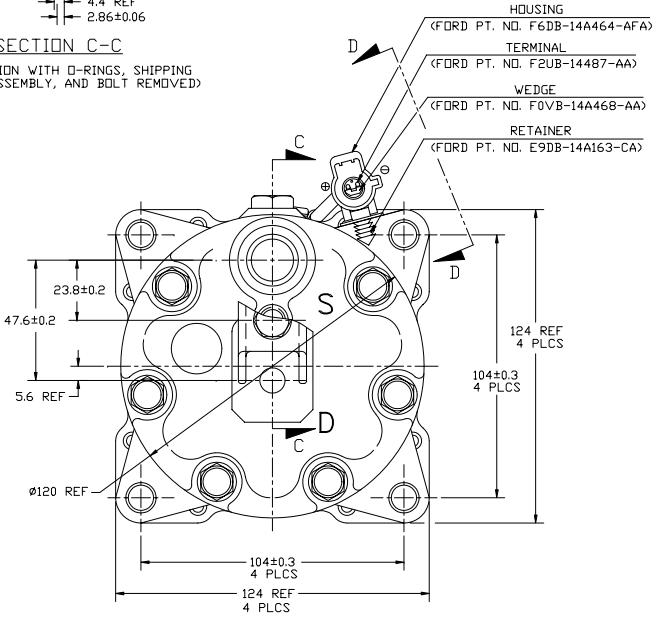
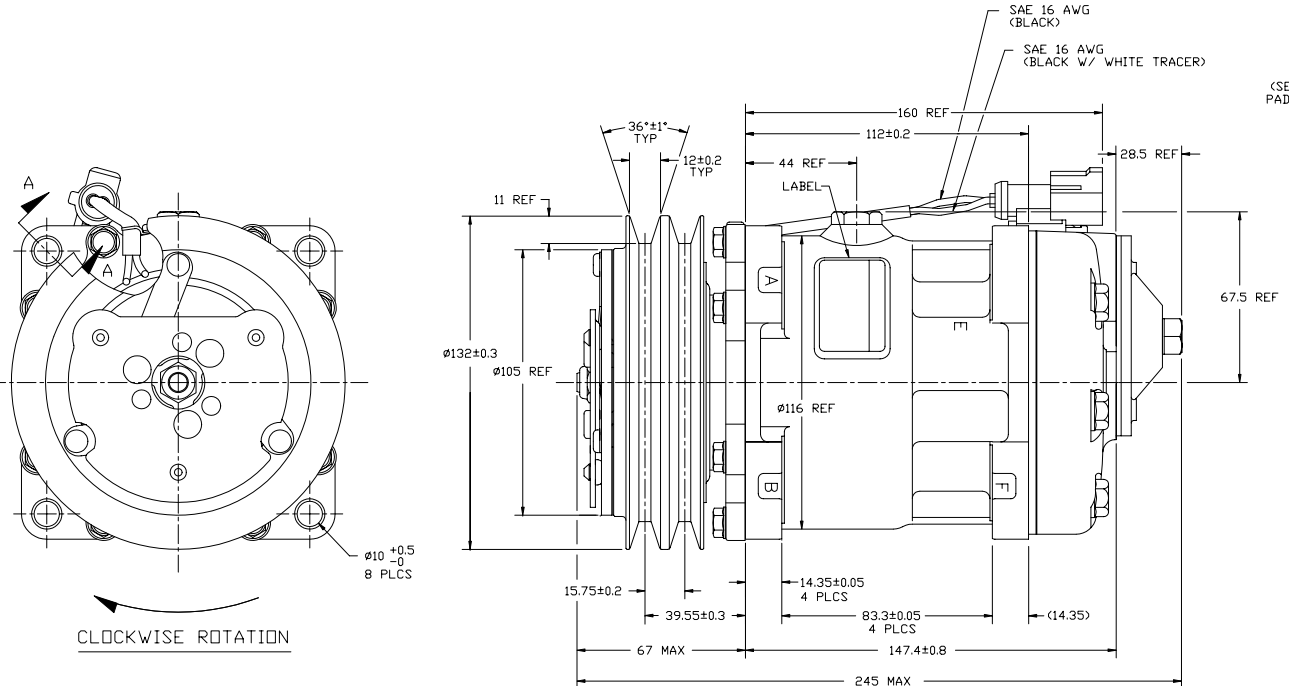
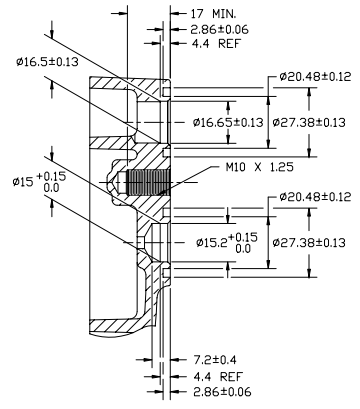
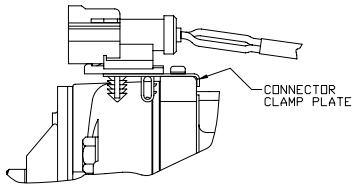
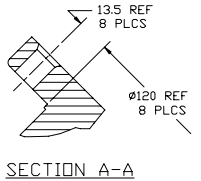


PCDN	REV.	APPLY DATE	REVISIONS	DWN	ESGN	CHK	APPV
	Δ		INITIAL ISSUE				



COMPRESSOR SPECIFICATIONS

DISPLACEMENT PER REVOLUTION	154.9 cc / rev. (9.5cuin. / rev.)
MAXIMUM ALLOWABLE R.P.M.	8000 R.P.M.
MAXIMUM ALLOWABLE CONTINUOUS R.P.M.	6000 R.P.M.
REFRIGERANT	R134a
OIL (SP-15)	300 cc (10.1 fl.oz.)
WEIGHT	7.6 kg (16.8 lb.)

CLUTCH SPECIFICATIONS

RATED VOLTAGE	DC 12V
BREAKAWAY TORQUE	35 kgf·m MIN. @ 12V
MINIMUM ENGAGEMENT VOLTAGE	7.5V MAX @ AIR GAP 0.6mm REF
POWER CONSUMPTION	49 WATTS MAX.
BELT TYPE	A TYPE
MAXIMUM ALLOWABLE BELT TENSION	60 kgf PER BELT
PULLEY DIAMETER	Ø132 mm (5.2 in.)
CLUTCH TYPE	HEAVY DUTY

CLOCKWISE ROTATION

REV. LEVEL	RELEASED FOR PRODUCTION	<p>SANDEN INTERNATIONAL (U.S.A.), INC.</p>
CHK	APPROVED FOR PRODUCTION	
DWN	DESIGNED	<p>SCALE REF 1:1</p> <p>PLATTER 90° METRIC</p> <p>THIS DRAWING AND THE INFORMATION CONTAINED HEREON ARE CONFIDENTIAL AND PROPRIETARY TO SANDEN INTERNATIONAL (U.S.A.), INC. AND ARE NOT TO BE REPRODUCED OR TRANSMITTED IN ANY FORM OR BY ANY MEANS, ELECTRONIC OR MECHANICAL, INCLUDING PHOTOCOPYING, RECORDING, OR BY ANY INFORMATION STORAGE AND RETRIEVAL SYSTEM, WITHOUT THE WRITTEN PERMISSION OF SANDEN INTERNATIONAL (U.S.A.), INC.</p> <p>INTERPRETATION OF THIS DRAWING PER ASME Y14.5M-1994</p> <p>THIRD ANGLE PROJECTION</p> <p>SIZE D</p>
APPLY	APPROVED FOR PRODUCTION	MATERIAL:
REV. LEVEL	DESIGN VALIDATION	NAME:
APPLY	DESIGNED	DWG. NO. 4497-6000
REV. LEVEL	RELEASED FOR PRODUCTION	REV. A
APPLY	APPROVED FOR PRODUCTION	

DO NOT SCALE