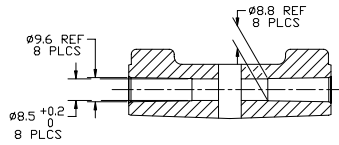
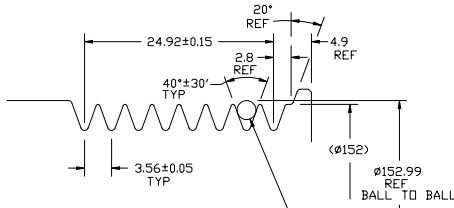


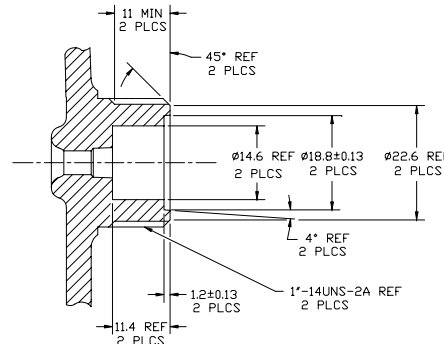
PCDN	REV	APPV DATE	REVISIONS	DWN	ESGN	CHK	APPV
	Δ		INITIAL ISSUE				



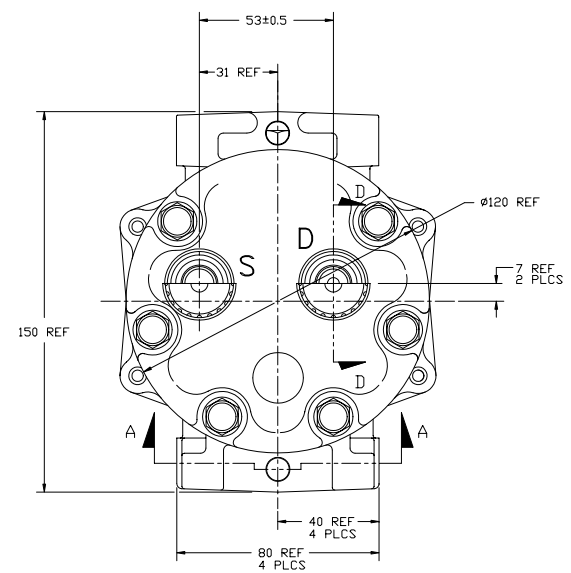
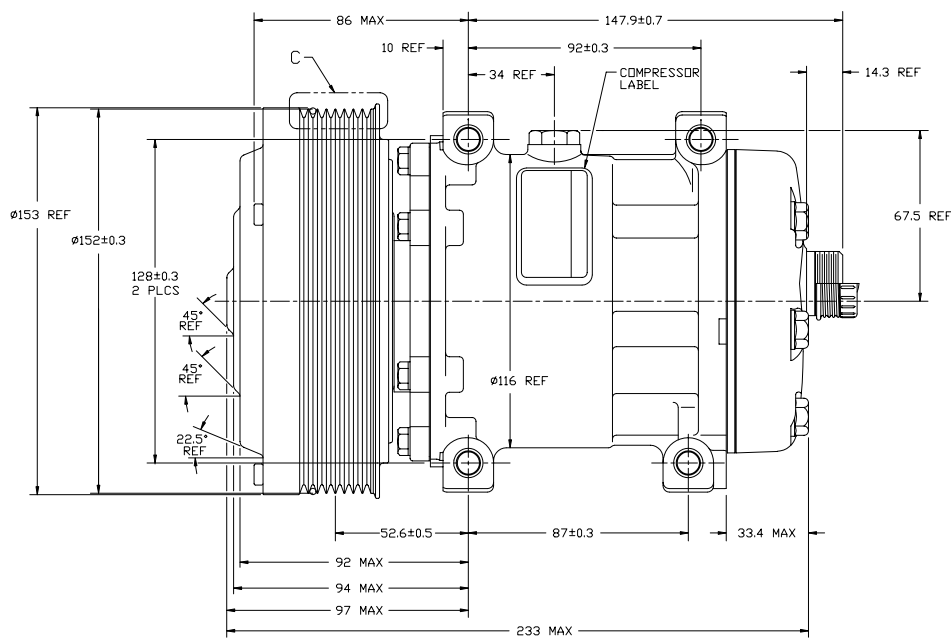
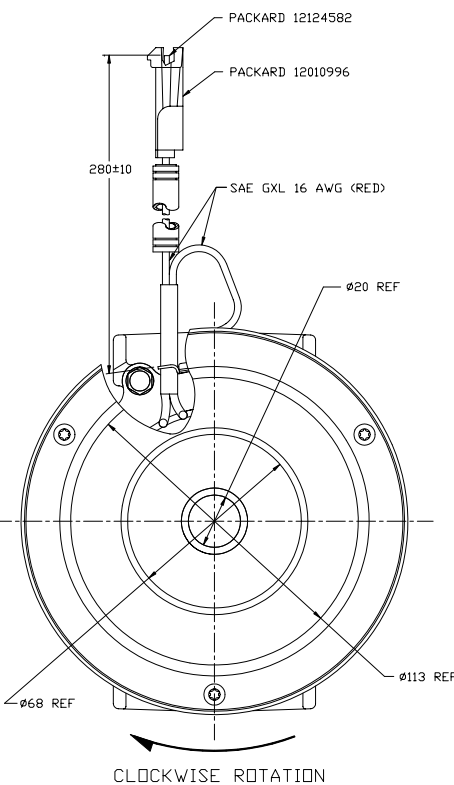
SECTION A-A



DETAIL C
SCALE: 3:1



SECTION D-D
SCALE: 2:1
TYPICAL BOTH PORTS
(SECTION SHOWN WITH SEAL CAP REMOVED)



COMPRESSOR SPECIFICATIONS

DISPLACEMENT PER REVOLUTION	154.9 cc / rev. (9.5cu.in. / rev.)
MAXIMUM ALLOWABLE R.P.M.	4000 R.P.M.
MAXIMUM ALLOWABLE CONTINUOUS R.P.M.	4000 R.P.M.
REFRIGERANT	R134a
OIL (SP-15)	285 cc (9.6 floz.)
WEIGHT	TBD

CLUTCH SPECIFICATIONS

RATED VOLTAGE	DC 12V
BREAKAWAY TORQUE	3.5 kgf·m min. @ 12V
MINIMUM ENGAGEMENT VOLTAGE	7.5V @ AIR GAP 0.6mm REF
POWER CONSUMPTION	43 watts max.
BELT TYPE	PV8 TYPE
MAXIMUM ALLOWABLE BELT TENSION	120 kgf
PULLEY DIAMETER	Ø152 mm (5.98 in.)
CLUTCH TYPE	SEALED HEAVY DUTY

REV. LEVEL A CHK APPLV DATE 4/13/04 RELEASED FOR DESIGN VALIDATION APPLV DATE 4/13/04 RELEASED FOR PRODUCTION APPLV DATE 4/13/04	RELEASED FOR ENG. DEVELOPMENT APPLV DATE 4/13/04 RELEASED FOR PRODUCTION APPLV DATE 4/13/04	SANDEN INTERNATIONAL (U.S.A.), INC. SANDEN INTERNATIONAL (U.S.A.), INC. SCALE REF 1:1 METRIC This drawing and the information contained herein are CONFIDENTIAL and PROPRIETARY to Sanden International (U.S.A.), Inc. and are released in CONFIDENCE and shall not be used, copied, or disclosed to others without the written permission of Sanden International (U.S.A.), Inc. INTERPRETATION OF THIS DRAWING PER ASME Y14.5M-1994 THIRD ANGLE PROJECTION MATERIAL NAME COMPRESSOR DWG. NO. 4499-6000 REV A
---	--	---

DO NOT SCALE