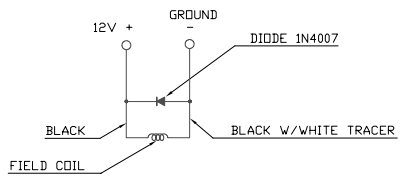
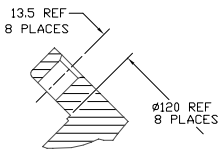


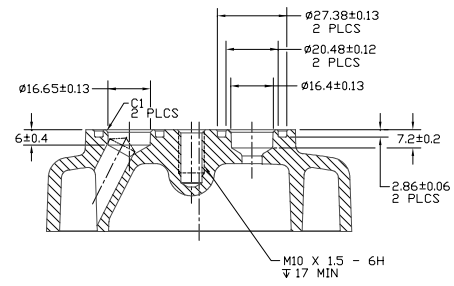
PCDN	REV	APPV	REVISIONS	BYN	ESN	CHK	APPV
			INITIAL ISSUE				



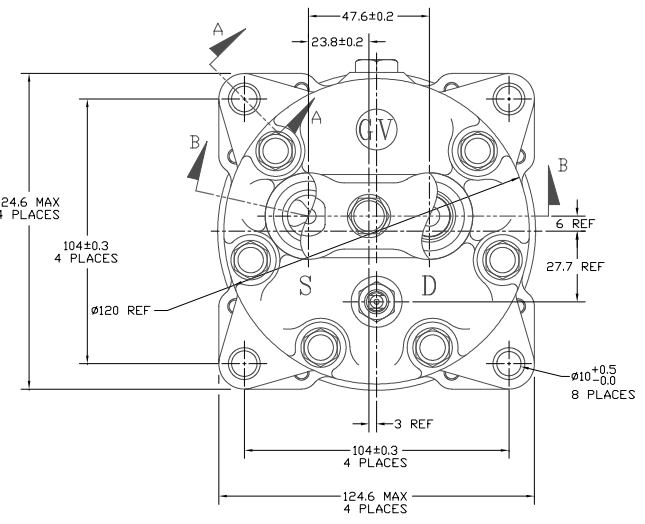
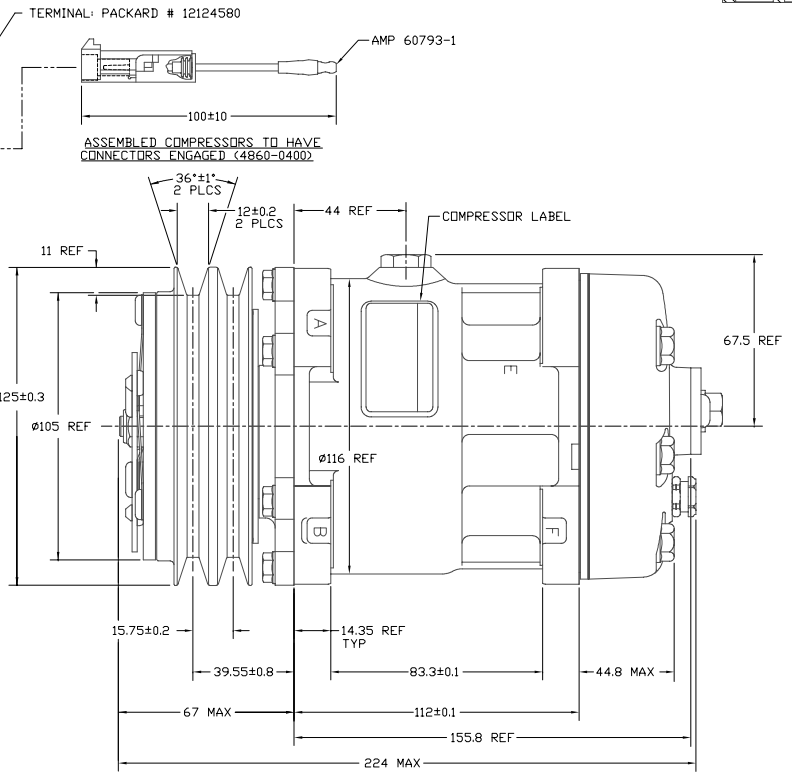
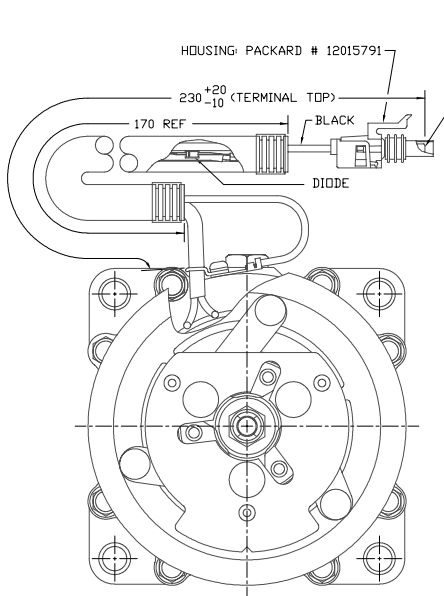
CIRCUIT DIAGRAM



SECTION A-A



SECTION B-B
(SECTION WITH O-RINGS, SHIPPING PAD ASSEMBLY, AND BOLT REMOVED)



COMPRESSOR SPECIFICATIONS (REF.)

DISPLACEMENT PER REVOLUTION	1549 cc / rev. (9.5 cu. in. / rev.)
MAXIMUM ALLOWABLE R.P.M.	8000 R.P.M.
MAXIMUM ALLOWABLE CONTINUOUS R.P.M.	6000 R.P.M.
REFRIGERANT	R134a
DIL (SP-15)	200 cc (6.76 fl.oz.)
WEIGHT	7.6 Kg (16.8 LBS)

CLUTCH SPECIFICATIONS (REF.)

RATED VOLTAGE	DC 12V
BREAKAWAY TORQUE	3.5 kgf-m min. @ 12V
MINIMUM ENGAGEMENT VOLTAGE	7.5V @ AIR GAP 0.6mm
POWER CONSUMPTION	49 watts max.
BELT TYPE	A TYPE
MAXIMUM ALLOWABLE BELT TENSION	60 kgf per belt
PULLEY DIAMETER	125 mm (4.92 in.)
CLUTCH TYPE	HEAVY DUTY

NOTE:
1. N₂ HOLDING CHARGE DELETED.

REV	RELEASED FOR	DATE	SCALE	PROJECTION	VAL.	PRODUCTION	DATE	APPV	DATE	APPV	DATE
A	RELEASED FOR	11/26/06	1:1	THIRD ANGLE PROJECTION				Grasty Wolff			
A	DESIGN VAL.	12/29/06						Grasty Wolff			
A	PRODUCTION	12/29/06						Grasty Wolff			
A	PRODUCTION	12/29/06						Grasty Wolff			
A	PRODUCTION	1/30/07						Grasty Wolff			

SANDEN
SANDEN INTERNATIONAL CORPORATION, INC.
SCALE REF 1:1 PLOTTED SCALE REF 1:1 METRIC
This drawing and the information contained herein are CONFIDENTIAL and PROPRIETARY to Sanden International (U.S.A.), Inc. and shall be used, copied, or disclosed to others without the written permission of Sanden International (U.S.A.), Inc.
INTERPRETATION OF THIS DRAWING PER ASME Y14.5M-1994
THIRD ANGLE PROJECTION
MATERIAL: ϕ \llcorner \llcorner \llcorner
NAME: SD7H15 ENHANCED CAPACITY COMPRESSOR
DWG. NO. 4616-6000 REV A

DO NOT SCALE