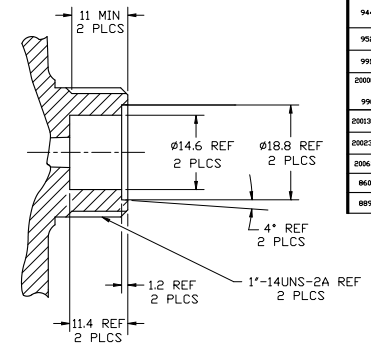
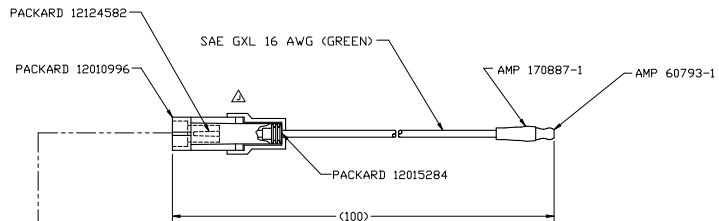
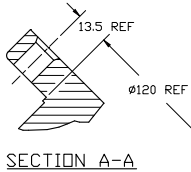
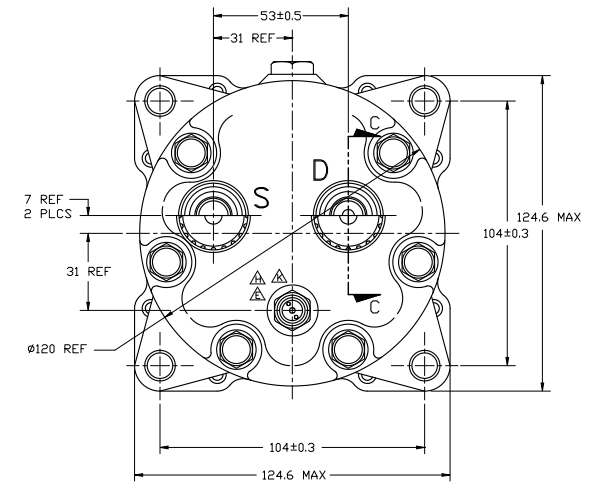
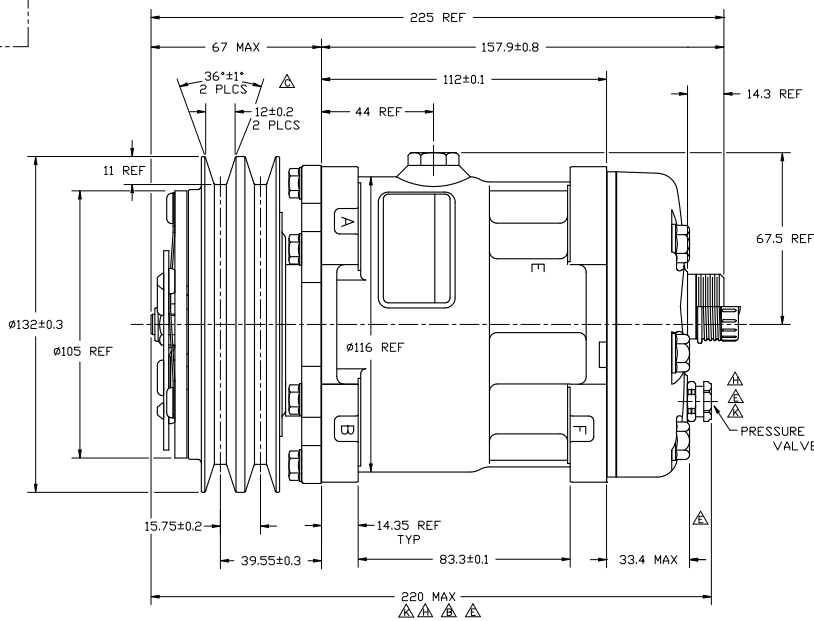
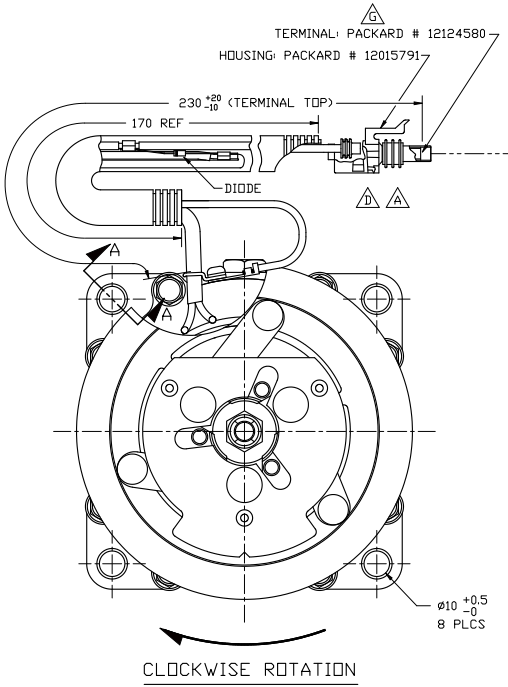


PCDN	REV	APPV	DATE	REVISIONS	DEV	ESDN	CHK	APPV
9304	△		2/29/94	ADDED RIDGE CALLOUT	PV	DEL	DEL	OTIA
94478	△		11/11/94	229 MAX WAS 236.4 MAX. DELETED DETAIL B & REVISED TO CURRENT SPECS.	DEL	DEL	DEL	OTIA
95003	△		3/21/96	ADDED PROPRIETARY NOTE AND UPDATED TO CURRENT STANDARDS	DEL	DEL	DEL	OTIA
99199	△		4/26/99	CHANGED FROM MONOPOLE TO DIPOLE FIELD COIL ASSEMBLY	DEL	DEL	DEL	OTIA
200024	△		6/13/00	CHANGED PRV FROM 4065-6470 TO 4967-6470. DELETED DIM 265 MAX. 200 MAX WAS 220 MAX. UPDATED TITLE BLOCK.	DEL	DEL	DEL	OTIA
99007	△		11/21/01	OIL (SP-15) WAS OIL (CSP-20)	DEL	DEL	DEL	OTIA
2001340	△		1/29/03	TERMINAL PACKARD # 12124580 WAS 12010996	DEL	DEL	DEL	OTIA
2006375	△		12/7/06	PRV 4307-6470 WAS 4967-6470. DIM 2211 MAX WAS 220 MAX.	DEL	DEL	DEL	OTIA
2006375	△		7/23/09	ADDED JUMPER 4860-0400	DEL	DEL	DEL	OTIA
8093	△		12/10/09	PRV 4967-6470 WAS 4307-6470. 200 MAX WAS 220 MAX.	DEL	DEL	DEL	OTIA



SECTION C-C
SCALE: 2:1
TYPICAL BOTH PORTS
(SECTION SHOWN WITH SEAL CAP REMOVED)



COMPRESSOR SPECIFICATIONS

DISPLACEMENT PER REVOLUTION	154.9 cc / rev. (9.5cu.in. / rev.)
MAXIMUM ALLOWABLE R.P.M.	8000 R.P.M.
MAXIMUM ALLOWABLE CONTINUOUS R.P.M.	6000 R.P.M.
REFRIGERANT	R134a
OIL (SP-15)	240 cc (8.1 floz.)
WEIGHT	7.5 kg (16.6 lb.)

CLUTCH SPECIFICATIONS

RATED VOLTAGE	DC 12V
BREAKAWAY TORQUE	3.5 kgf·m min. @ 12V
MINIMUM ENGAGEMENT VOLTAGE	7.5V @ air gap 0.6mm REF
POWER CONSUMPTION	49 watts max.
BELT TYPE	A TYPE
MAXIMUM ALLOWABLE BELT TENSION	60 kgf per belt
PULLEY DIAMETER	Ø132 mm (5.2 in.)
CLUTCH TYPE	HEAVY DUTY

DO NOT SCALE

REV. LEVEL	RELEASED FOR PRODUCTION	FROM	ASME	SCALE REF	1:1	PLATTED - NONE	METRIC
A-D	CHK	OTIA	DEL	DEL	DEL	DEL	DEL
APPV	DATE	6/13/99					
REV. LEVEL	RELEASED FOR DESIGN VALIDATION	FROM	ASME	SCALE REF	1:1	PLATTED - NONE	METRIC
A-D	CHK	OTIA	DEL	DEL	DEL	DEL	DEL
APPV	DATE	6/13/99					
REV. LEVEL	RELEASED FOR PRODUCTION VAL. 2	FROM	ASME	SCALE REF	1:1	PLATTED - NONE	METRIC
A-D	CHK	OTIA	DEL	DEL	DEL	DEL	DEL
APPV	DATE	6/13/99					
REV. LEVEL	RELEASED FOR PRODUCTION	FROM	ASME	SCALE REF	1:1	PLATTED - NONE	METRIC
A-D	CHK	OTIA	DEL	DEL	DEL	DEL	DEL
APPV	DATE	6/13/99					
REV. LEVEL	RELEASED FOR PRODUCTION	FROM	ASME	SCALE REF	1:1	PLATTED - NONE	METRIC
A-D	CHK	OTIA	DEL	DEL	DEL	DEL	DEL
APPV	DATE	6/13/99					
MATERIAL:		NAME:		DWG. NO.		REV	
		COMPRESSOR		4646-6000		K	