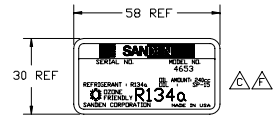
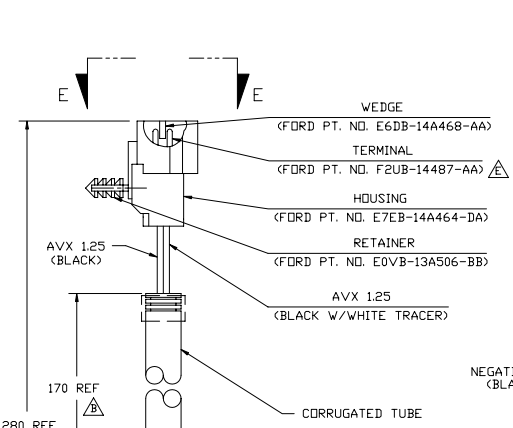
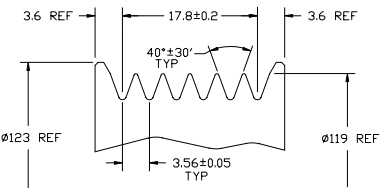


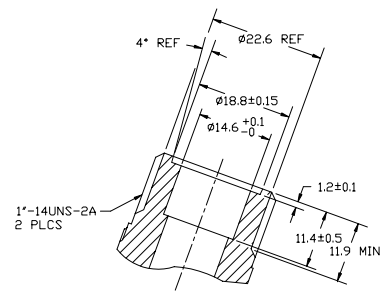
16 | 15 | 14 | 13 | 12 | 11 | 10 | 9 | 8 | 7 | 6 | 5 | 4 | 3 | 2 | 1



DETAIL B

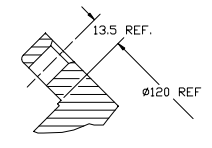


DETAIL C

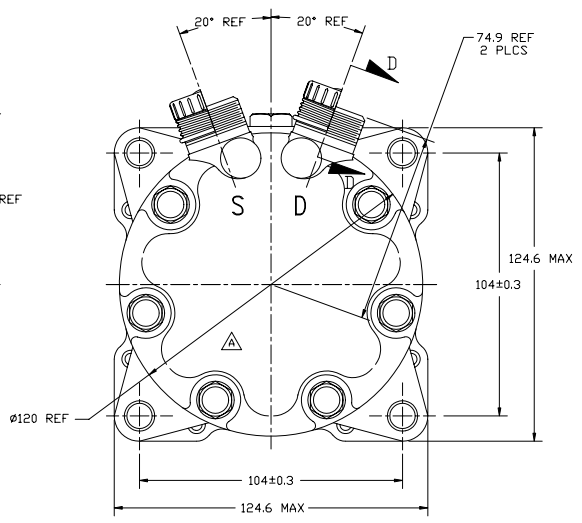
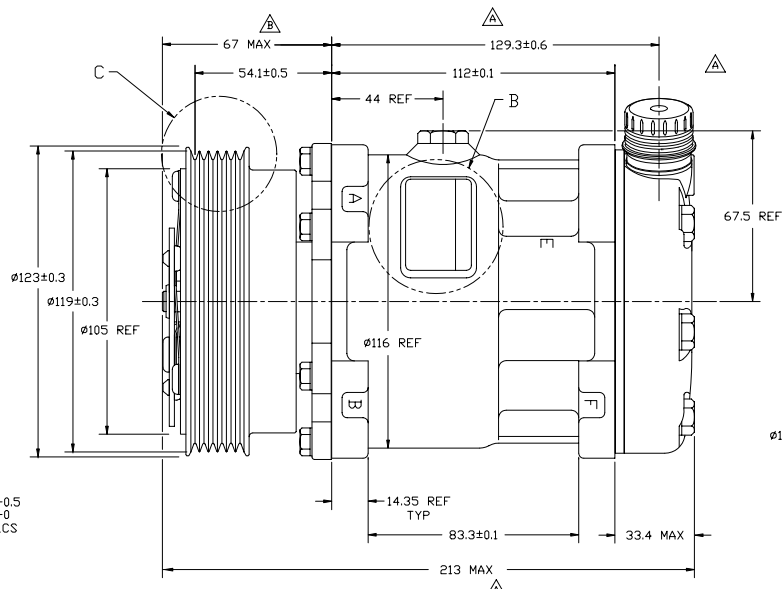
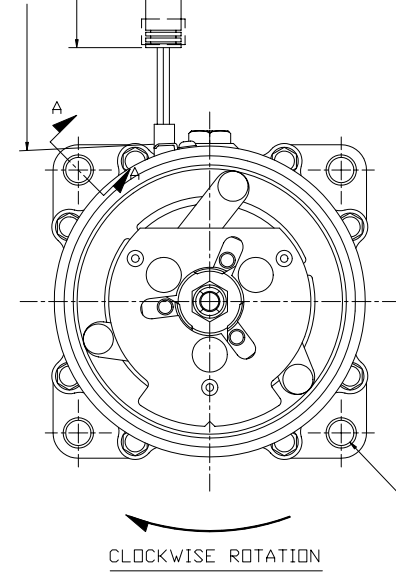


SECTION D-D

SCALE: 2:1
(SECTION SHOWN WITH SEAL CAP REMOVED)
2 PLCS



SECTION A-A



POON	REV.	APPV DATE	REVISIONS	IGN	ESGN	CHK	APPV
93031	Δ	7/29/93	CHANGED CYLINDER HEAD 'CIP' WAS 'C50' MODEL NUMBER 527H5094523 WAS 527H5094523, 129.316 WAS 147.780(7) 223 MAX WAS 2255 REF DELETED DIMENSION 26.83 MAX. REVISED SECTION B-B.	FW	FW	FW	AWA
95803	Δ	12/6/93	ADDED PROPRIETARY NOTE AND UPDATED TO CURRENT STANDARDS CORRUGATED TUBE LENGTH WAS 223 REF.	FW	FW	FW	AWA
96497	Δ	5/17/96	240cc (8.1 fl.oz.) WAS 175cc (5.9 fl.oz.)	FW	AWA	FW	AWA
96515	Δ	12/13/96	ADDED PROPRIETARY LABEL. ADDED NOTE 1.	FW	FW	FW	AWA
98443	Δ	6/9/00	TERMINAL WAS E7EB-14487-CA	FW	FW	FW	AWA
200340	Δ		DEL. SP-15 WAS SP-20	FW			

NOTES:
Δ 1. THIS PRODUCT MEETS THE REQUIREMENTS OF SANDEN ENGINEERING SPECIFICATION SES-CC-214.

COMPRESSOR SPECIFICATIONS

DISPLACEMENT PER REVOLUTION	154.9 cc / rev. (9.5cu.in. / rev.)
MAXIMUM ALLOWABLE R.P.M.	8000 R.P.M.
MAXIMUM ALLOWABLE CONTINUOUS R.P.M.	6000 R.P.M.
REFRIGERANT	R134a
OIL (SP-15)	240 cc (8.1 fl.oz.)
WEIGHT	7.2 kg (16 lb.)

CLUTCH SPECIFICATIONS

RATED VOLTAGE	DC 12V
BREAKAWAY TORQUE	3.5 kgf·m min. @ 12V
MINIMUM ENGAGEMENT VOLTAGE	7.5V @ AIR GAP 0.6mm REF
POWER CONSUMPTION	49 watts max.
BELT TYPE	PV6 TYPE
MAXIMUM ALLOWABLE BELT TENSION	90 kgf
PULLEY DIAMETER	Ø119 mm (4.68 in.)
CLUTCH TYPE	STANDARD

REV. LEVEL	RELEASED FOR DESIGN DEVELOPMENT	DATE	7/26/93	BY	FW	CHK	FW	APPV	FW
Δ	DESIGN VALIDATION	DATE	7/26/93	BY	FW	CHK	FW	APPV	FW
E	RELEASED FOR PRODUCTION	DATE	7/26/93	BY	FW	CHK	FW	APPV	FW
Δ	RELEASED FOR PRODUCTION	DATE	7/26/93	BY	FW	CHK	FW	APPV	FW
E	RELEASED FOR PRODUCTION	DATE	7/26/93	BY	FW	CHK	FW	APPV	FW
E	RELEASED FOR PRODUCTION	DATE	7/26/93	BY	FW	CHK	FW	APPV	FW
E	RELEASED FOR PRODUCTION	DATE	7/26/93	BY	FW	CHK	FW	APPV	FW
E	RELEASED FOR PRODUCTION	DATE	7/26/93	BY	FW	CHK	FW	APPV	FW

SANDEN
SANDEN INTERNATIONAL (U.S.A.), INC.
DRAWN SCALE REF 1:1
PLOTTED SCALE REF 90%
METRIC

This drawing and the information contained herein are CONFIDENTIAL and PROPRIETARY to Sanden International (U.S.A.), Inc. and are loaned in CONFIDENCE and shall not be made, copied, or disclosed to others without the written permission of Sanden International (U.S.A.), Inc.

INTERPRETATION OF THIS DRAWING PER
ASME Y14.5M-1994

THIRD ANGLE PROJECTION
↻

MATERIAL: _____

NAME: _____

COMPRESSOR

DWG. NO. 4653-6000

REV F

DO NOT SCALE

16 | 15 | 14 | 13 | 12 | 11 | 10 | 9 | 8 | 7 | 6 | 5 | 4 | 3 | 2 | 1