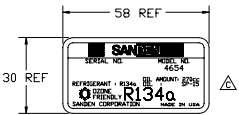
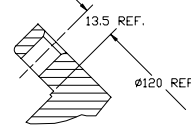


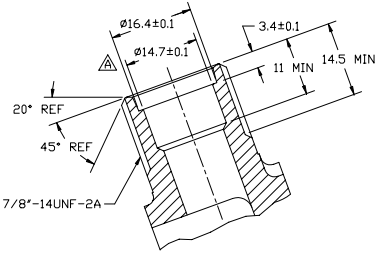
16 | 15 | 14 | 13 | 12 | 11 | 10 | 9 | 8 | 7 | 6 | 5 | 4 | 3 | 2 | 1



DETAIL D

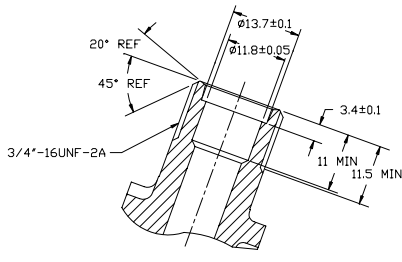


SECTION A-A



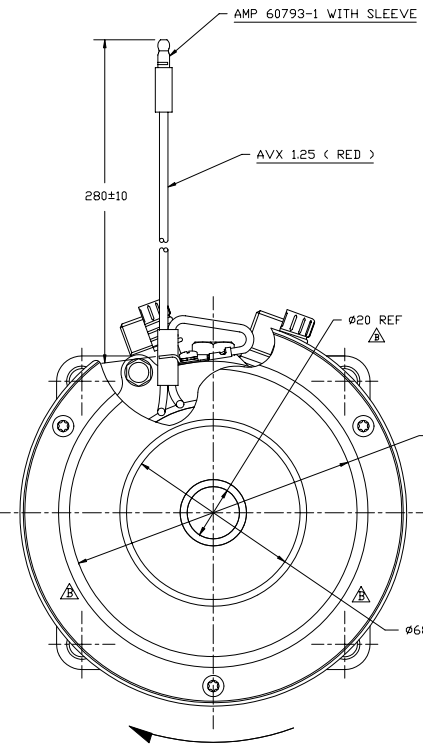
SECTION B-B

SCALE: 2:1
(SECTION SHOWN WITH SEAL CAP REMOVED)

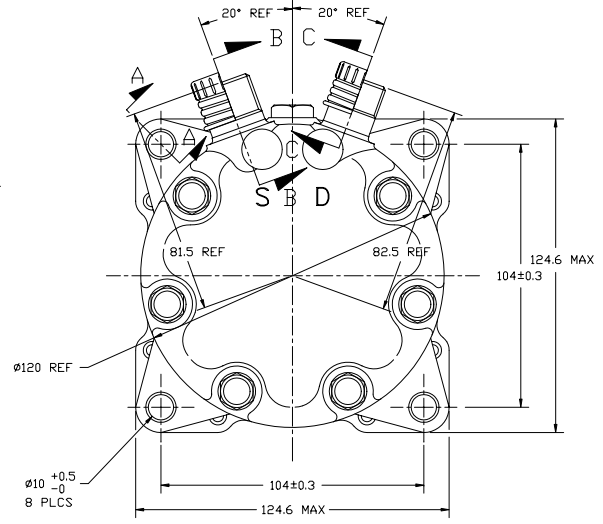
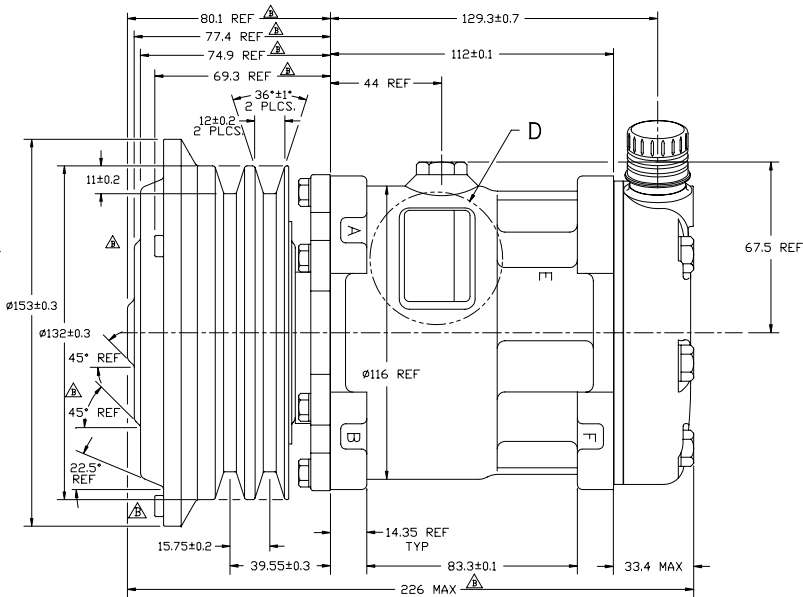


SECTION C-C

SCALE: 2:1
(SECTION SHOWN WITH SEAL CAP REMOVED)



CLOCKWISE ROTATION



COMPRESSOR SPECIFICATIONS

DISPLACEMENT PER REVOLUTION	154.9 cc / rev. (9.5cuin. / rev.)
MAXIMUM ALLOWABLE R.P.M.	4000 R.P.M.
MAXIMUM ALLOWABLE CONTINUOUS R.P.M.	4000 R.P.M.
REFRIGERANT	R134a
OIL (SP-15)	270 cc (9.1 fl. oz.)
WEIGHT	7.4 kgf (16.4 lb.)

CLUTCH SPECIFICATIONS

RATED VOLTAGE	DC 12V
BREAKAWAY TORQUE	3.5 kgf·m min. @ 12V
MINIMUM ENGAGEMENT VOLTAGE	7.5V @ AIR GAP 0.6mm REF
POWER CONSUMPTION	43 watts max.
BELT TYPE	A TYPE
MAXIMUM ALLOWABLE BELT TENSION	60 kgf per belt
PULLEY DIAMETER	Ø132mm (5.2 in.)
CLUTCH TYPE	HEAVY DUTY

EDN. NO.	REV.	DATE	REVISIONS	DWN	ISSN	CHK	APPR
94127	△	6/15/94	Ø14.7±0.1 WAS Ø14.55 +0.1 -0	JKC	JBY	JBY	EMM
93214			CHANGED ARMATURE DUST COVER BOLTS FROM HEX TYPE				
95068	△	10/30/95	ELIMINATED 3 BUST COVER BOLTS REVISID TO CURRENT SPECS.	JBY	JBY	JBY	EMM
95390			CHANGED ARMATURE DUST COVER.				
200340	△	11/29/01	OIL (SP-15) WAS OIL (SP-20)	JKC	JBY	JBY	EMM
99007			UPDATED BORDER				

REV. LEVEL	RELEASED FOR PRODUCTION	DATE	7/15/93	APPR.	J. B.
DESIGN LEVEL	DESIGN VALIDATION	DATE	7/15/93	APPR.	J. B.
PRODUCTION LEVEL	RELEASED FOR PRODUCTION	DATE	7/15/93	APPR.	J. B.
PRODUCTION LEVEL	RELEASED FOR PRODUCTION	DATE	7/15/93	APPR.	J. B.
PRODUCTION LEVEL	RELEASED FOR PRODUCTION	DATE	7/15/93	APPR.	J. B.

SANDEN
SANDEN INTERNATIONAL (U.S.A.), INC.

SCALE REF 1:1 PLATTER SCALE REF 1:1 METRIC

This drawing and the information contained herein are CONFIDENTIAL and PROPRIETARY to Sanden International (U.S.A.), Inc. and shall not be used, copied, or disclosed to others without the written permission of Sanden International (U.S.A.), Inc.

INTERPRETATION OF THIS DRAWING PER ASME Y14.5M-1994

THIRD ANGLE PROJECTION

MATERIAL

NAME SD7H15JD4654
COMPRESSOR

DWG. NO. 4654-6000

REV. C

DO NOT SCALE

16 | 15 | 14 | 13 | 12 | 11 | 10 | 9 | 8 | 7 | 6 | 5 | 4 | 3 | 2 | 1