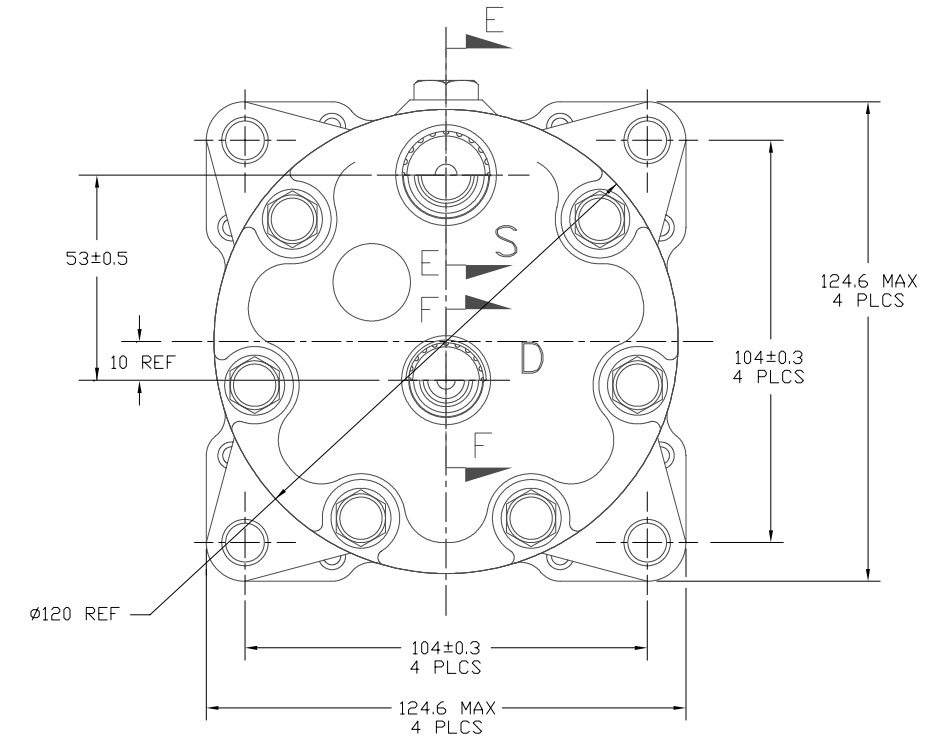
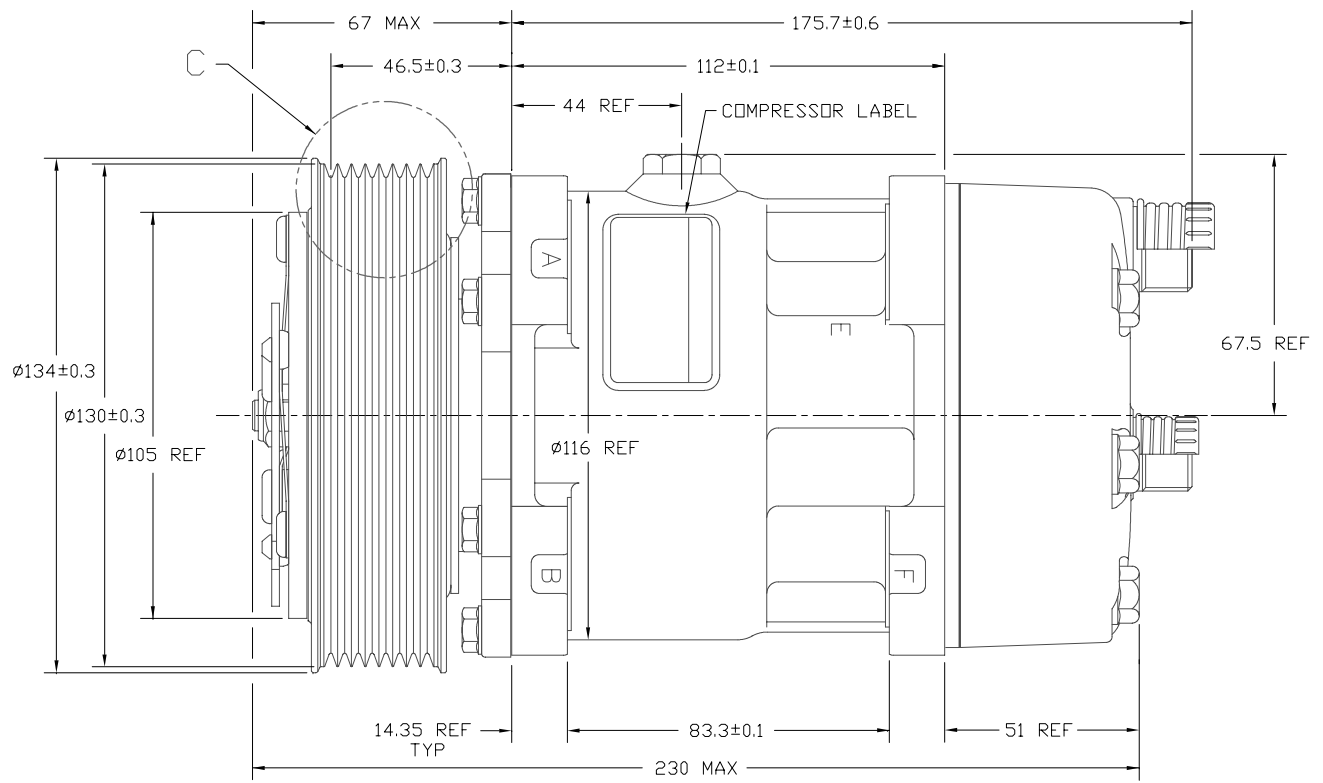
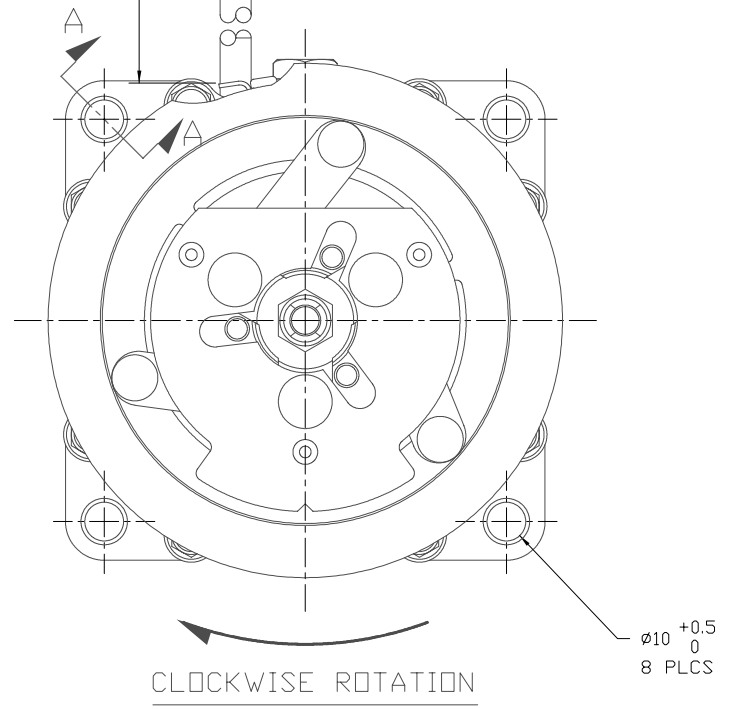
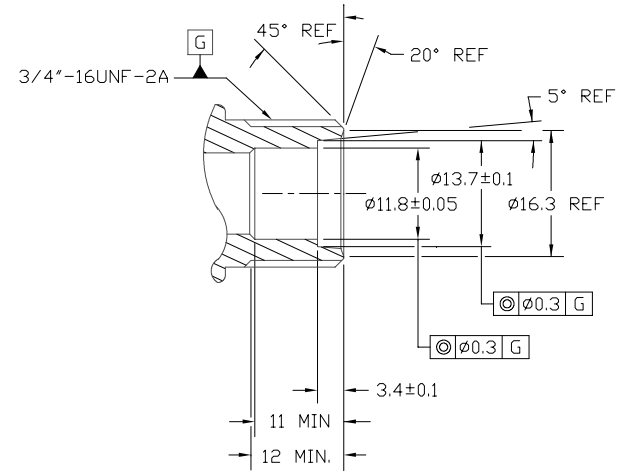
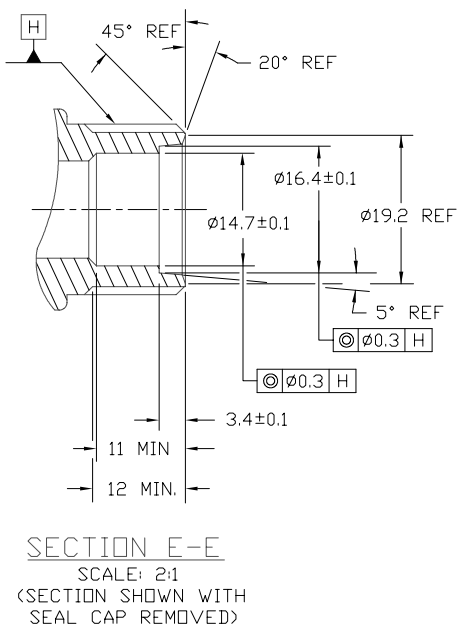
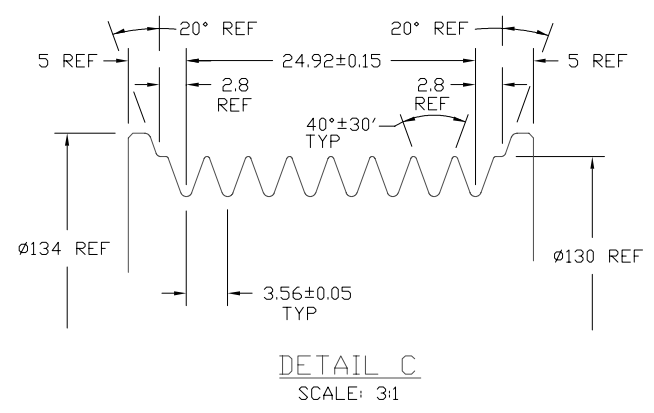
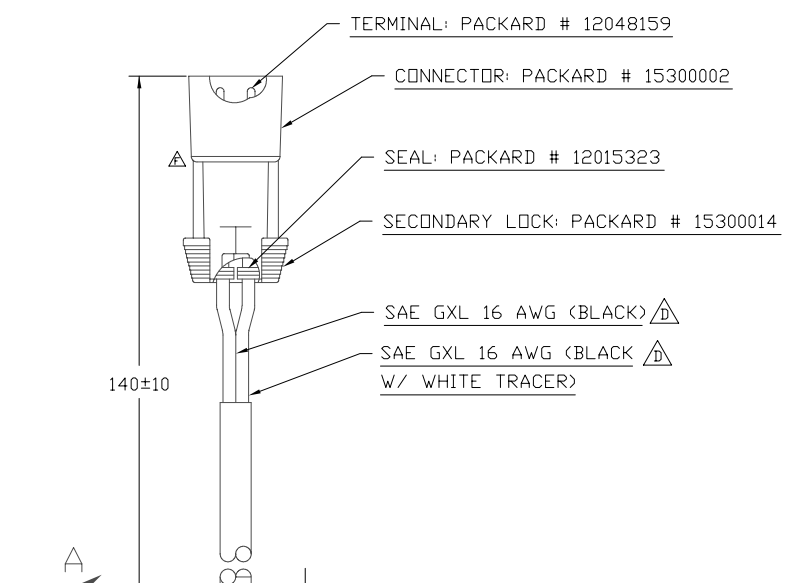
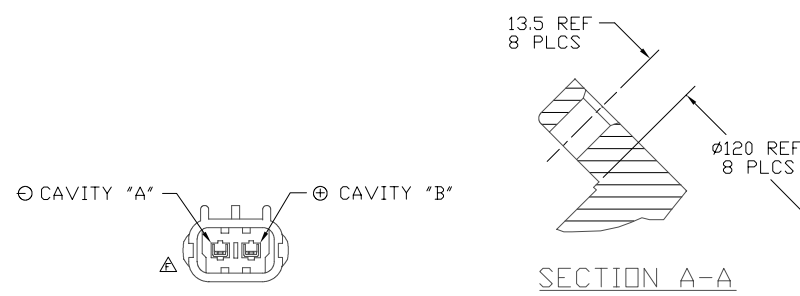


PDCN	REV.	APPV DATE	REVISIONS	DWN	DSGN	CHK	APPV
			INITIAL ISSUE				
538	Δ	02/13/96	CHANGED TO HARD NO. WAS A6NB-6000 NOW 4700-6000	RJK	B.M.A.	D.R.L.	B.M.A.
96227	Δ	07/03/96	CHANGED TABLE 300cc (10.1 Fl. oz.) WAS 270cc (9.1 Fl. oz.)	RJK	A.S.	D.R.L.	B.M.A.
96231 98394	Δ	01/12/99	SAE GXL 16 AWG (BLACK) WAS AXV 1.25 (RED); SAE GXL 16 AWG (BLACK W/WHITE TRACER) WAS AXV 1.25 (RED); WEIGHT 8.1 kg WAS 7.5 kg	DY	A.S.	D.R.L.	B.M.A.
99007 2001340	Δ	11/06/01	UPDATED TO CURRENT TITLE BLOCK OIL (SP-15) WAS OIL (SP-20)	RJK	JK	D.R.L.	JK
2004105	Δ	08/27/04	CHANGED WIRE CAVITY - BLACK WITH WHITE TRACER WIRE TO CAVITY "B" AND BLACK WIRE TO CAVITY "A"; ADDED TOP VIEW OF CONNECTOR.	RJK	JK	D.R.L.	RJK



COMPRESSOR SPECIFICATIONS

DISPLACEMENT PER REVOLUTION	154.9 cc / rev. (9.5cu.in. / rev.)
MAXIMUM ALLOWABLE R.P.M.	8000 R.P.M.
MAXIMUM ALLOWABLE CONTINUOUS R.P.M.	6000 R.P.M.
REFRIGERANT	R134a
Δ OIL (SP-15)	300 cc (10.1 fl.oz.)
WEIGHT	8.1 kg (17.8 lb.)

CLUTCH SPECIFICATIONS

RATED VOLTAGE	DC 12V
BREAKAWAY TORQUE	3.5 kgf-m min. @ 12V
MINIMUM ENGAGEMENT VOLTAGE	7.5V @ AIR GAP 0.6mm REF
POWER CONSUMPTION	49 watts max.
BELT TYPE	PV8 TYPE
MAXIMUM ALLOWABLE BELT TENSION	120 kgf
PULLEY DIAMETER	Ø130mm (5.1 in.)
CLUTCH TYPE	HEAVY DUTY

DO NOT SCALE

REV. LEVEL	RELEASED FOR ENGG DEVELOPMENT	<p>SANDEN INTERNATIONAL (U.S.A.), INC.</p> <p>This drawing and the information contained hereon are CONFIDENTIAL and PROPRIETARY to Sanden International (U.S.A.), Inc. and shall not be used, copied, or disclosed to others without the written permission of Sanden International (U.S.A.), Inc.</p>	SCALE REF 1:1	PLOTTED SCALE REF 1:1	METRIC
DSGN	R. Hughes 02/13/96				
DWN	B.M.A. 02/13/96				
CHK	Dennis Lee 02/13/96				
APPV.	B.M.A./J. Sale 02/07/96				
DATE					
REV. LEVEL	RELEASED FOR DESIGN VALIDATION	INTERPRETATION OF THIS DRAWING PER ASME Y14.5M-1994			
DSGN	R. Hughes 02/13/96				
APPV.	B.M.A./J. Sale 02/07/96				
DATE					
REV. LEVEL	RELEASED FOR PRODUCTION VAL'D.	MATERIAL:			
DSGN	R. Hughes 02/13/96				
APPV.	B.M.A./J. Sale 02/07/96				
DATE					
REV. LEVEL	RELEASED FOR PRODUCTION	NAME	COMPRESSOR		
DSGN	R. Hughes 02/13/96				
APPV.	B.M.A./J. Sale 02/07/96				
DATE					
REV. LEVEL		DWG. NO.	4700-6000		
APPV.	B.M.A./J. Sale 02/07/96				
DATE					