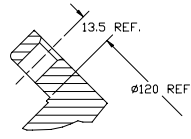
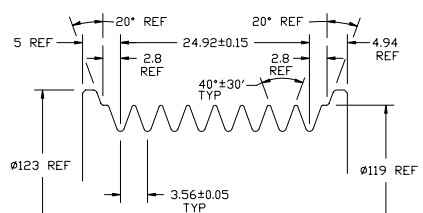


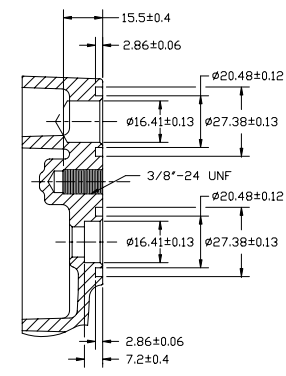
PCRN	REV.	APPV. DATE	REVISIONS	DWN	ESGN	CHK	APPV.
			INITIAL ISSUE				
99190	05/03/99		CHANGE FROM HEMIPOLE TO DIPPOLE FIELD COMPRESSOR LABEL.	JW	ZL	SJZ	JD
99087	11/06/01		UPDATED TO CURRENT TITLE BLOCK DIL CSP-15 WAS DIL CSP-20	JW	ZL	SJZ	JM



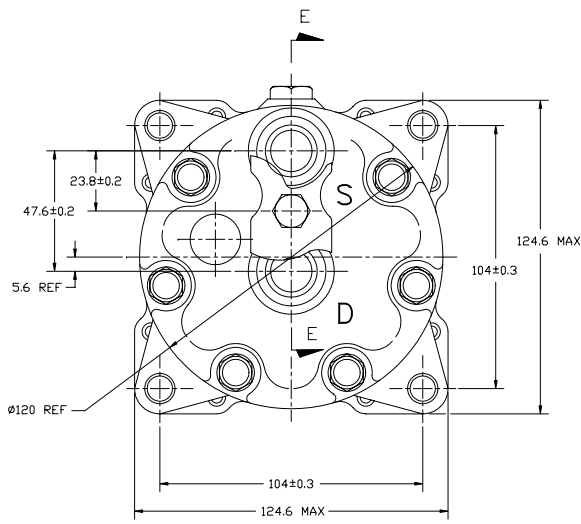
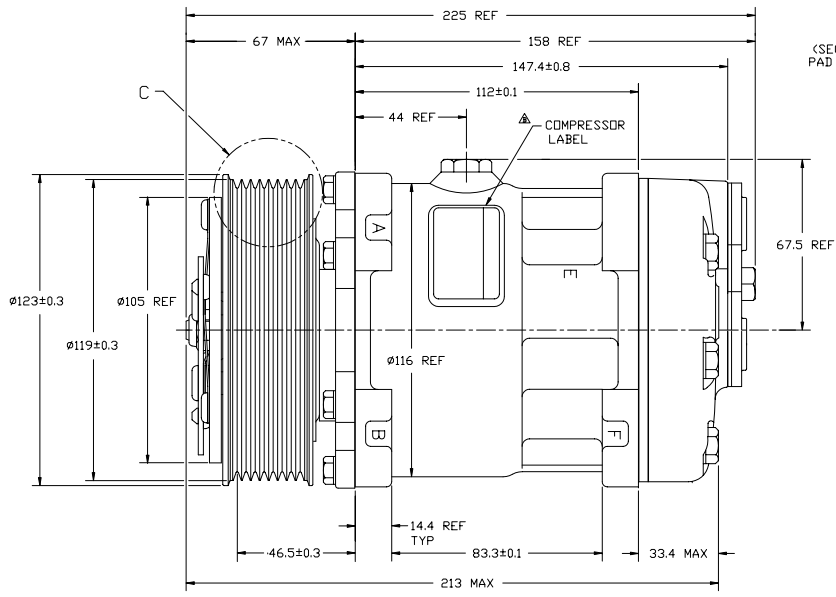
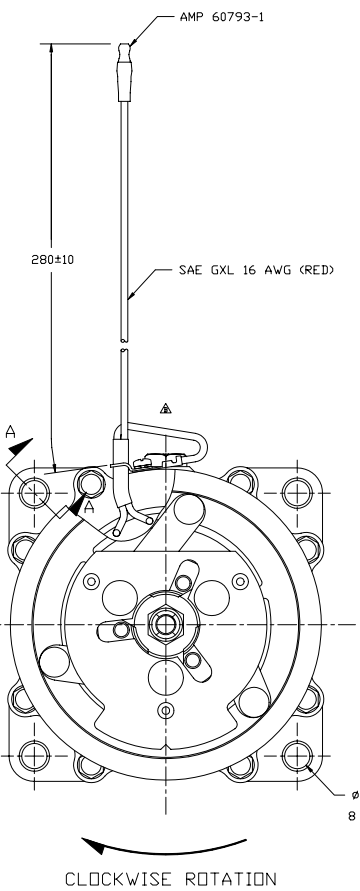
SECTION A-A



DETAIL C  
SCALE: 3:1



SECTION E-E  
(SECTION WITH O-RINGS, SHIPPING  
PAD ASSEMBLY, AND BOLT REMOVED)



COMPRESSOR SPECIFICATIONS

DISPLACEMENT PER REVOLUTION	154.9 cc / rev. ( 9.5cu.in. / rev. )
MAXIMUM ALLOWABLE R.P.M.	8000 R.P.M.
MAXIMUM ALLOWABLE CONTINUOUS R.P.M.	6000 R.P.M.
REFRIGERANT	R134a
DIL ( SP-15 )	135 cc ( 4.6 floz. )
WEIGHT	7.2 kg. ( 15.9 lb )

CLUTCH SPECIFICATIONS

RATED VOLTAGE	DC 12V
BREAKAWAY TORQUE	3.5 kgf·m min. @ 12V
MINIMUM ENGAGEMENT VOLTAGE	7.5V @ AIR GAP 0.6mm REF.
POWER CONSUMPTION	49 watts max.
BELT TYPE	PVB
MAXIMUM ALLOWABLE BELT TENSION	120 kgf
PULLEY DIAMETER	Ø119 mm ( 4.69 in. )
CLUTCH TYPE	STANDARD

RELEASED FOR PRODUCTION	DATE	BY	APPROVED
RELEASED FOR DESIGN VALIDATION	DATE	BY	APPROVED
RELEASED FOR PRODUCTION VAL.	DATE	BY	APPROVED
RELEASED FOR PRODUCTION	DATE	BY	APPROVED
RELEASED FOR PRODUCTION	DATE	BY	APPROVED
RELEASED FOR PRODUCTION	DATE	BY	APPROVED
RELEASED FOR PRODUCTION	DATE	BY	APPROVED
RELEASED FOR PRODUCTION	DATE	BY	APPROVED
RELEASED FOR PRODUCTION	DATE	BY	APPROVED
RELEASED FOR PRODUCTION	DATE	BY	APPROVED

**SANDEN**  
SANDEN INTERNATIONAL (U.S.A.), INC.  
DRAWN BY: Andrew Green  
CHECKED BY: Andrew Green  
SCALE REF: 1:1  
PLOTTED BY: Andrew Green  
SCALE REF: 1:1  
MATERIAL: -  
NAME: COMPRESSOR  
DWG. NO.: 4707-6000  
REV. C

DO NOT SCALE