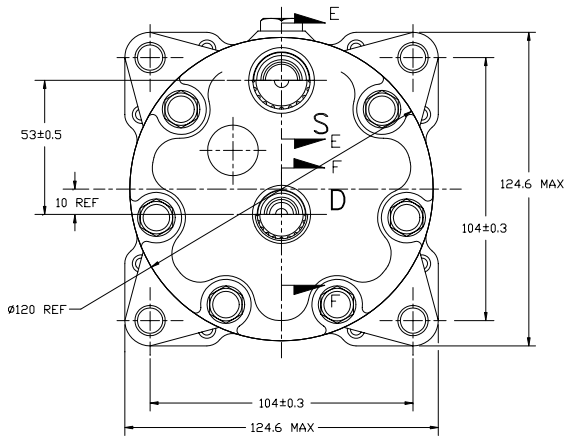
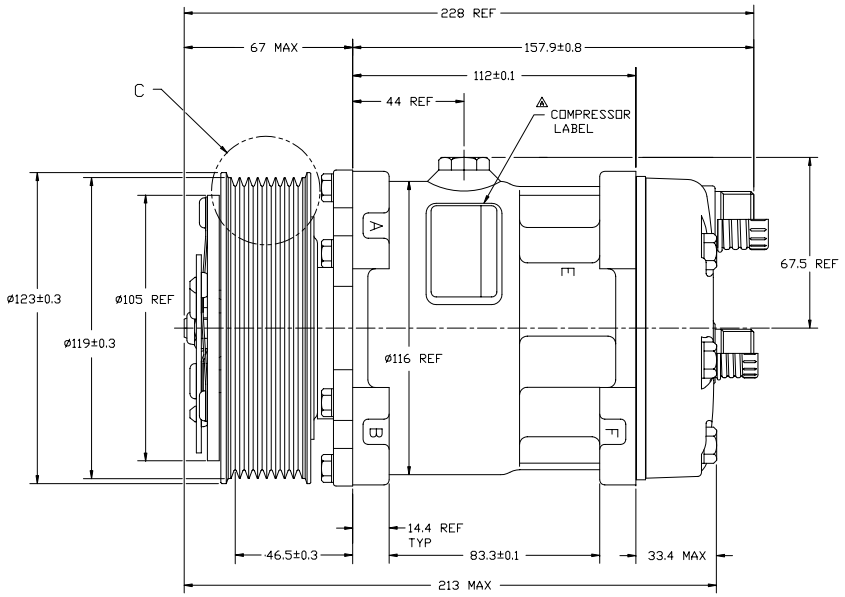
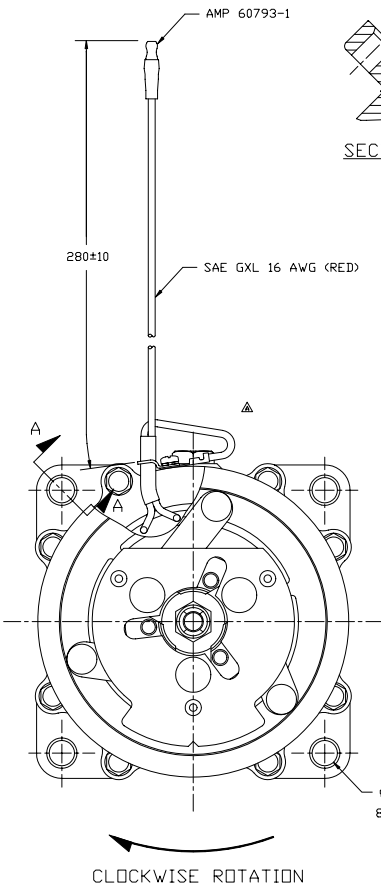
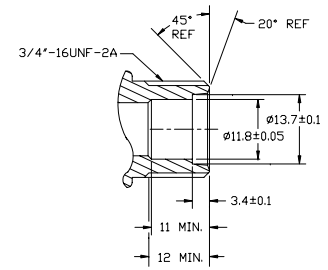
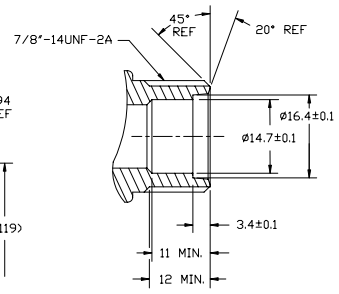
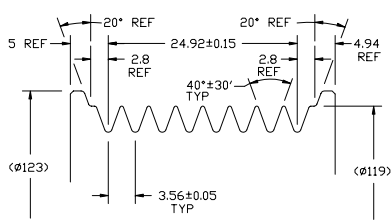
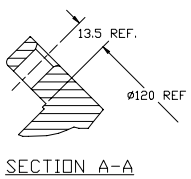


16 | 15 | 14 | 13 | 12 | 11 | 10 | 9 | 8 | 7 | 6 | 5 | 4 | 3 | 2 | 1

PRCH	REV	APPV DATE	REVISIONS	DWN	ESGN	CHK	APPV
			INITIAL ISSUE				
19198	Δ	5/3/99	CHANGE FROM NONPLEUR TO SPIRAL FIELD COIL ADDED COMPRESSOR LABEL.	JW	JL	JL	JL
200340	Δ	11/1/01	COIL SP-15 WAS SP-20	JY	JX	JY	JY



COMPRESSOR SPECIFICATIONS

DISPLACEMENT PER REVOLUTION	154.9 cc / rev. (9.5cuin. / rev.)
MAXIMUM ALLOWABLE R.P.M.	8000 R.P.M.
MAXIMUM ALLOWABLE CONTINUOUS R.P.M.	6000 R.P.M.
REFRIGERANT	R134a
DIL (SP-15)	135 cc (4.6 fl.oz.)
WEIGHT	7.2 kg (15.9 lb)

CLUTCH SPECIFICATIONS

RATED VOLTAGE	DC 12V
BREAKAWAY TORQUE	3.5 kgf-m min. @ 12V
MINIMUM ENGAGEMENT VOLTAGE	7.5V @ AIR GAP 0.6mm REF.
POWER CONSUMPTION	49 watts max.
BELT TYPE	PV8
MAXIMUM ALLOWABLE BELT TENSION	120 kgf
PULLEY DIAMETER	Ø119 mm (4.69 in.)
CLUTCH TYPE	STANDARD

REV. LEVEL	RELEASED FOR DESIGN DEVELOPMENT	<p>SANDEN INTERNATIONAL (U.S.A.), INC.</p>
APPROV. DATE	BY: J. B. B. 2/2/00	
CHK	APPROV. DATE: 2/2/00	<p>This drawing and the information contained herein are CONFIDENTIAL and PROPRIETARY to Sanden International (U.S.A.), Inc. and may be disclosed to others without the written permission of Sanden International (U.S.A.), Inc.</p>
APPV	DATE: 11/2/00	
REV. LEVEL	RELEASED FOR DESIGN VALIDATION	<p>INTERPRETATION OF THIS DRAWING PER THIRD ANGLE PROJECTION</p>
APPROV. DATE	BY: J. B. B. 2/2/00	
REV. LEVEL	RELEASED FOR PRODUCTION VAL.	<p>MATERIAL:</p>
APPROV. DATE	BY: J. B. B. 2/2/00	
REV. LEVEL	RELEASED FOR PRODUCTION	<p>NAME: COMPRESSOR</p>
APPROV. DATE	BY: J. B. B. 2/2/00	
REV. LEVEL	RELEASED FOR PRODUCTION	<p>DWG. NO. 4712-6000</p>
APPROV. DATE	BY: J. B. B. 2/2/00	

DO NOT SCALE

16 | 15 | 14 | 13 | 12 | 11 | 10 | 9 | 8 | 7 | 6 | 5 | 4 | 3 | 2 | 1