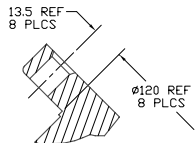
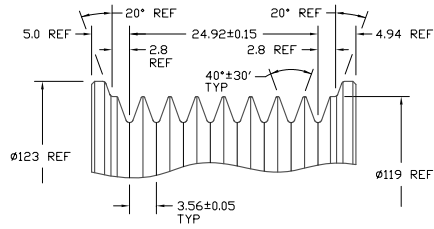


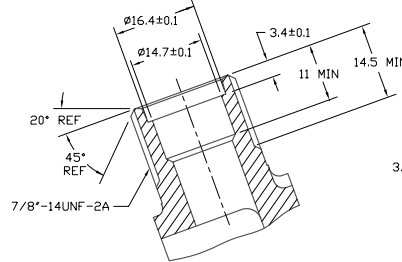
16 | 15 | 14 | 13 | 12 | 11 | 10 | 9 | 8 | 7 | 6 | 5 | 4 | 3 | 2 | 1



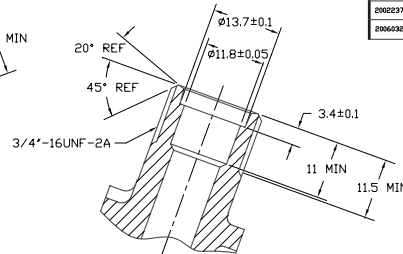
SECTION A-A



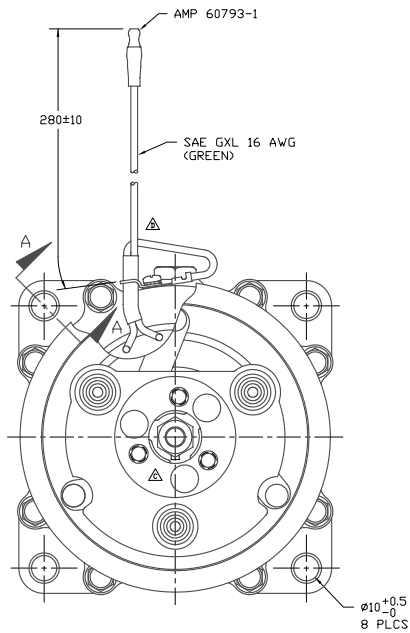
DETAIL C
SCALE 3:1



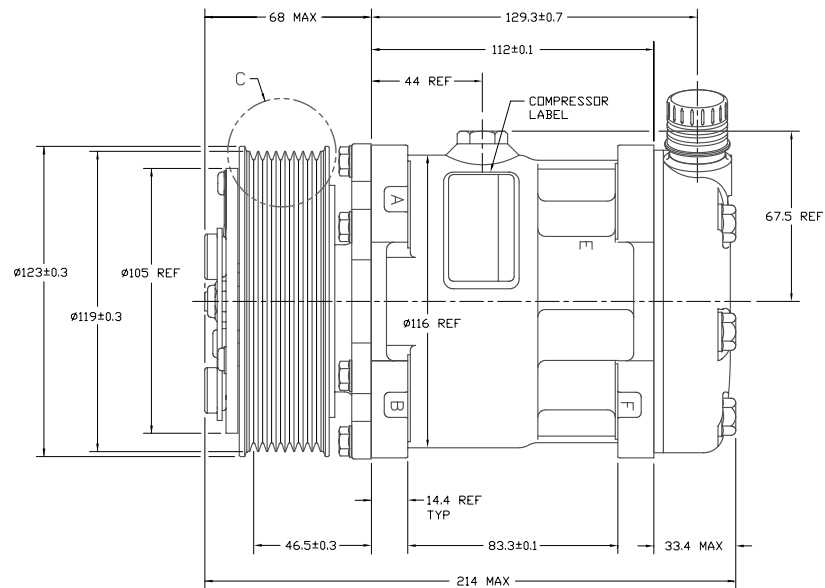
SECTION E-E
SCALE 2:1
(SECTION SHOWN WITH SEAL CAP REMOVED)



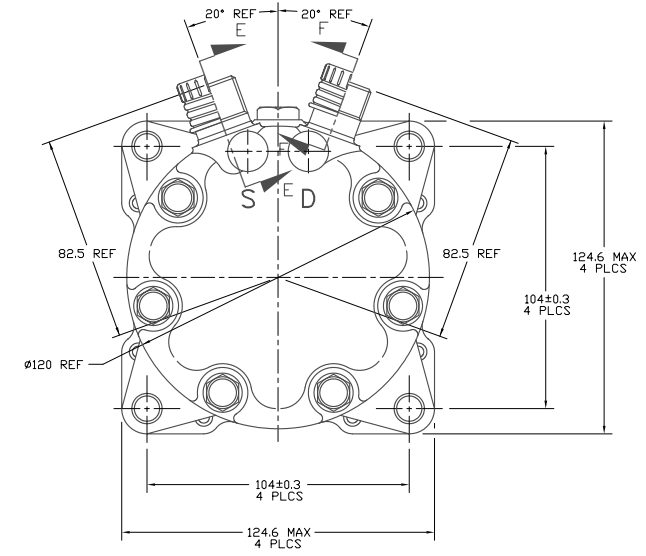
SECTION F-F
SCALE 2:1
(SECTION SHOWN WITH SEAL CAP REMOVED)



CLOCKWISE ROTATION



CLUTCH SPECIFICATIONS (REF)



COMPRESSOR SPECIFICATIONS (REF)

DISPLACEMENT PER REVOLUTION	154.9 cc / rev. (9.5 cu.in. / rev.)
MAXIMUM ALLOWABLE R.P.M.	8000 R.P.M.
MAXIMUM ALLOWABLE CONTINUOUS R.P.M.	6000 R.P.M.
REFRIGERANT	R134a
OIL (SP-15)	175 cc (6.4 floz.)

RATED VOLTAGE	DC 24V
BREAKAWAY TORQUE	3.5 kgf-m min. @ 24V
MINIMUM ENGAGEMENT VOLTAGE	16V @ AIR GAP 0.6mm
POWER CONSUMPTION	42 watts max.
BELT TYPE	PV8
MAXIMUM ALLOWABLE BELT TENSION	120 kgf
PULLEY DIAMETER	Ø119 mm (4.69 in.)
CLUTCH TYPE	HEAVY DUTY

PKCN	REV.	APPLY DATE	REVISIONS	OWN	ISSN	CHK	APPLY
0001340	1	11/19/95	INITIAL ISSUE (REF: ARJ0-6000 REV 1)				
29027	2	01/19/96	OIL (SP-15) WAS OIL (SP-20) UPDATED NUMBER	DKC	LK	DRL	MY
0002297	3	04/04/99	CHANGED TO KEVED RDA	RSR	HF	DRL	RC
0006030	4	3/25/96	CHANGED FIELD COIL ASSY FROM 6736-6040 TO 6775-6040	RSR	HF	DRL	YN

REV. LEVEL A DATE 8/27/98 APPLY 8/27/98 DATE 8/27/98 APPLY 8/27/98 DATE 8/27/98 APPLY 8/27/98 DATE 8/27/98 APPLY 8/27/98 DATE 8/27/98 APPLY 8/27/98	RELEASED FOR: DESIGN DEVELOPMENT DRAWN M. Hoffman CHECKED Dennis Lee INTERPRETATION OF THIS DRAWING PER ASME Y14.5M-1994 THIRD ANGLE PROJECTION MATERIAL: NAME: SD7H15JD4762 COMPRESSOR DWG. NO. 4762-6000 REV D	SANDEN INTERNATIONAL, U.S.A., INC. SCALE REF 1:1 PLOTTED SCALE REF 1:1 METRIC This drawing and the information contained hereon are CONFIDENTIAL and PROPRIETARY to Sanden International (U.S.A.), Inc. and shall not be used, copied, or disclosed to others without the written permission of Sanden International (U.S.A.), Inc.
--	--	--

DO NOT SCALE

16 | 15 | 14 | 13 | 12 | 11 | 10 | 9 | 8 | 7 | 6 | 5 | 4 | 3 | 2 | 1