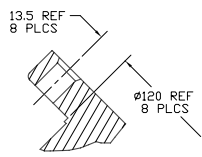
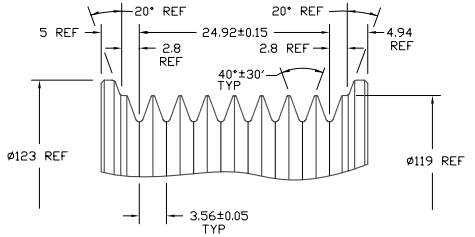


16 | 15 | 14 | 13 | 12 | 11 | 10 | 9 | 8 | 7 | 6 | 5 | 4 | 3 | 2 | 1

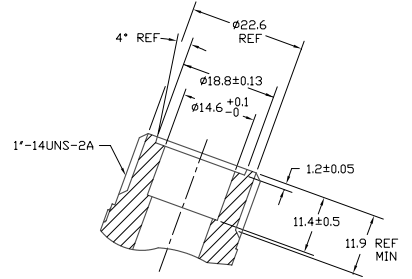
PCDN	REV.	APPV DATE	REVISIONS	DRN	DSGN	CHK	APPV
	Δ		INITIAL ISSUE (REF: ABUC-6000 REV. 1)				
8001340	99007	11/19/01	DIL (SP-15) WAS DIL (SP-20) UPDATED BORDER	DKC	LK	DRL	MY
8002237		04/04/03	CHANGED TO METRIC RDA	RSR	HF	DRL	RG
8006038		3/20/06	CHANGED FIELD DIL ASSY FROM 6716-6040 TO 6775-6040	RSR	HF	DRL	YN



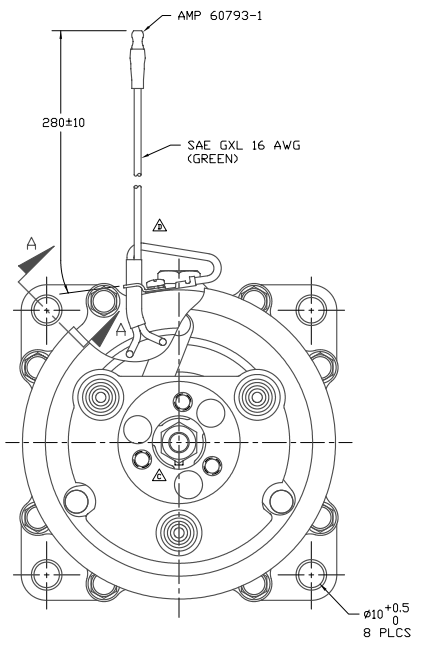
SECTION A-A



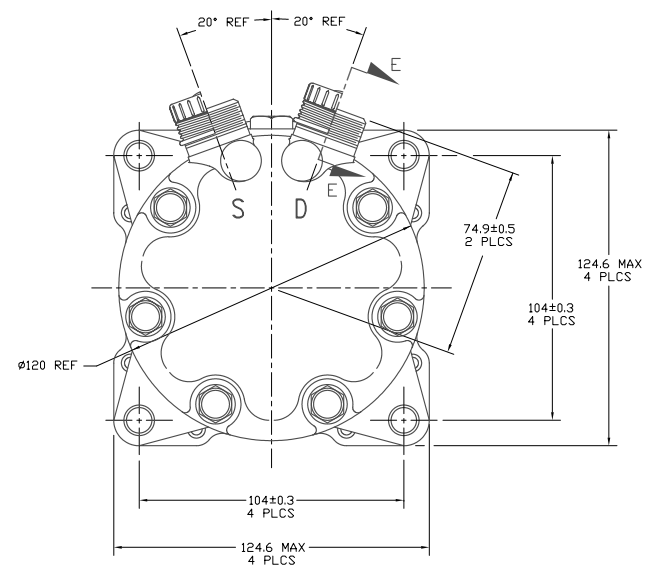
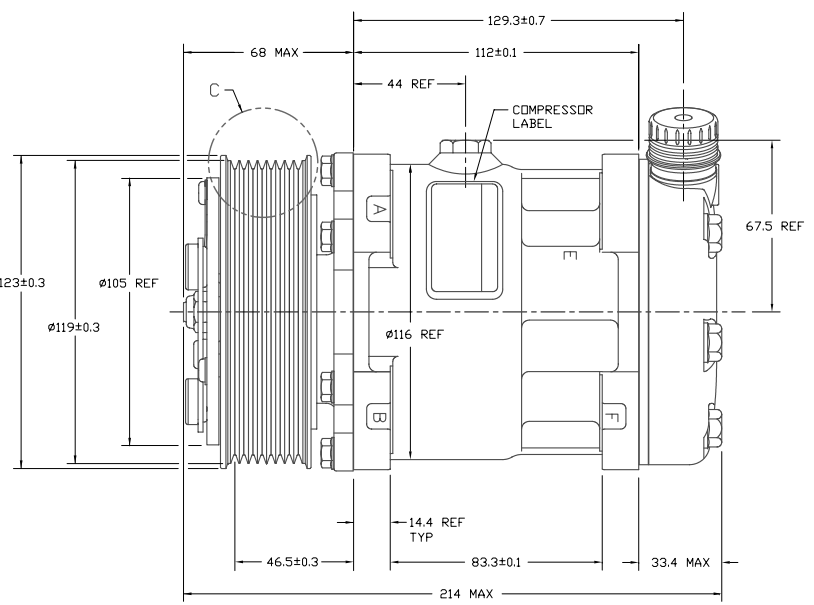
DETAIL C
SCALE 3:1



SECTION E-E
SCALE 2:1
(SECTION SHOWN WITH SEAL CAP REMOVED)
2 PLCS



CLOCKWISE ROTATION



COMPRESSOR SPECIFICATIONS (REF)

DISPLACEMENT PER REVOLUTION	154.9 cc / rev. (9.5 cu.in. / rev.)
MAXIMUM ALLOWABLE R.P.M.	8000 R.P.M.
MAXIMUM ALLOWABLE CONTINUOUS R.P.M.	6000 R.P.M.
REFRIGERANT	R134a
Δ DIL (SP-15)	175 cc (6.4 floz.)

CLUTCH SPECIFICATIONS (REF)

RATED VOLTAGE	DC 24V
BREAKAWAY TORQUE	3.5 kgf·m min. @ 24V
MINIMUM ENGAGEMENT VOLTAGE	16V @ AIR GAP 0.6mm
POWER CONSUMPTION	42 watts max.
BELT TYPE	PVB
MAXIMUM ALLOWABLE BELT TENSION	120 kgf
PULLEY DIAMETER	Ø119 mm (4.69 in.)
CLUTCH TYPE	HEAVY DUTY

REV. LEVEL	RELEASED FOR PRODUCTION	SCALE REF	FLUTTER SCALE REF	MATERIAL	NAME	DWG. NO.	REV. D
A	Δ	1:1	1:1	METRIC	SD7H15CB4763	4763-6000	
A	Δ	1:1	1:1	METRIC	COMPRESSOR		

DO NOT SCALE

16 | 15 | 14 | 13 | 12 | 11 | 10 | 9 | 8 | 7 | 6 | 5 | 4 | 3 | 2 | 1