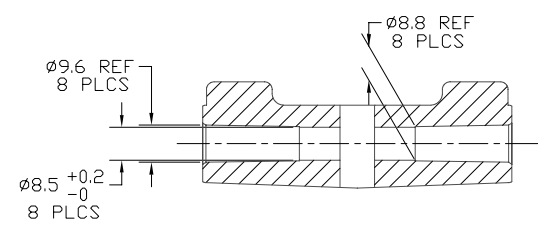
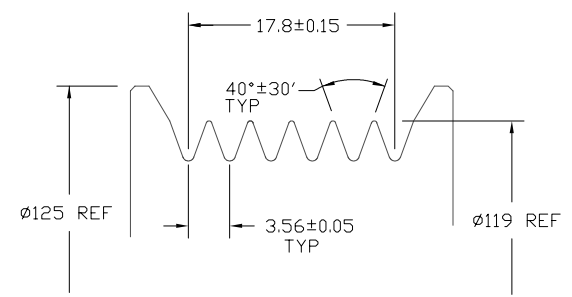


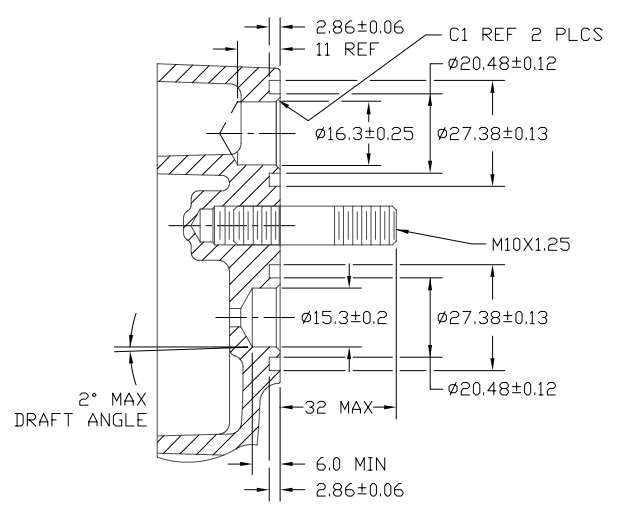
PBCN (CND)	REV.	APPV DATE	REVISIONS	DWN	DSGN	CHK	APPV
	1		INITIAL RELEASE				



SECTION A-A

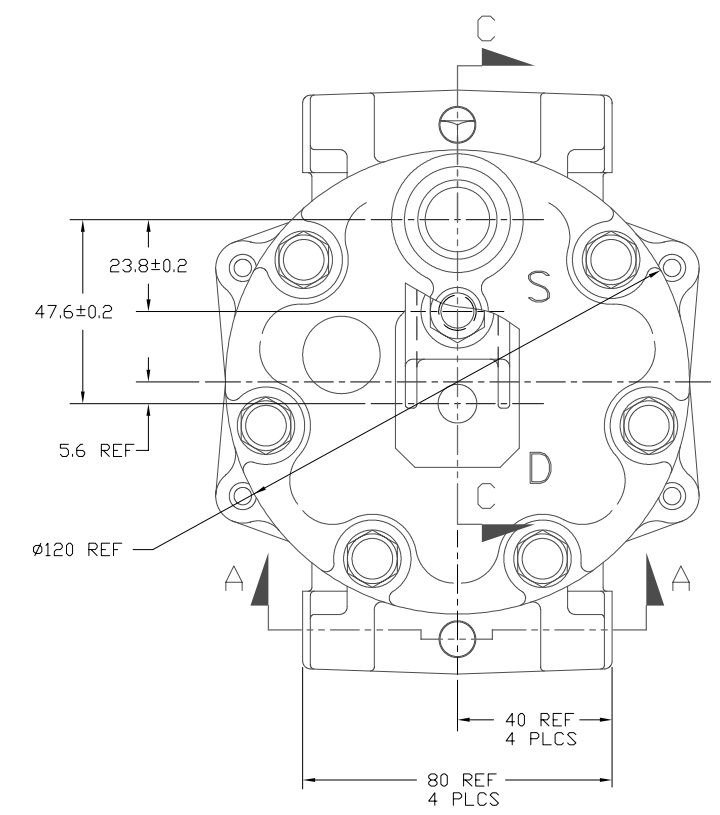
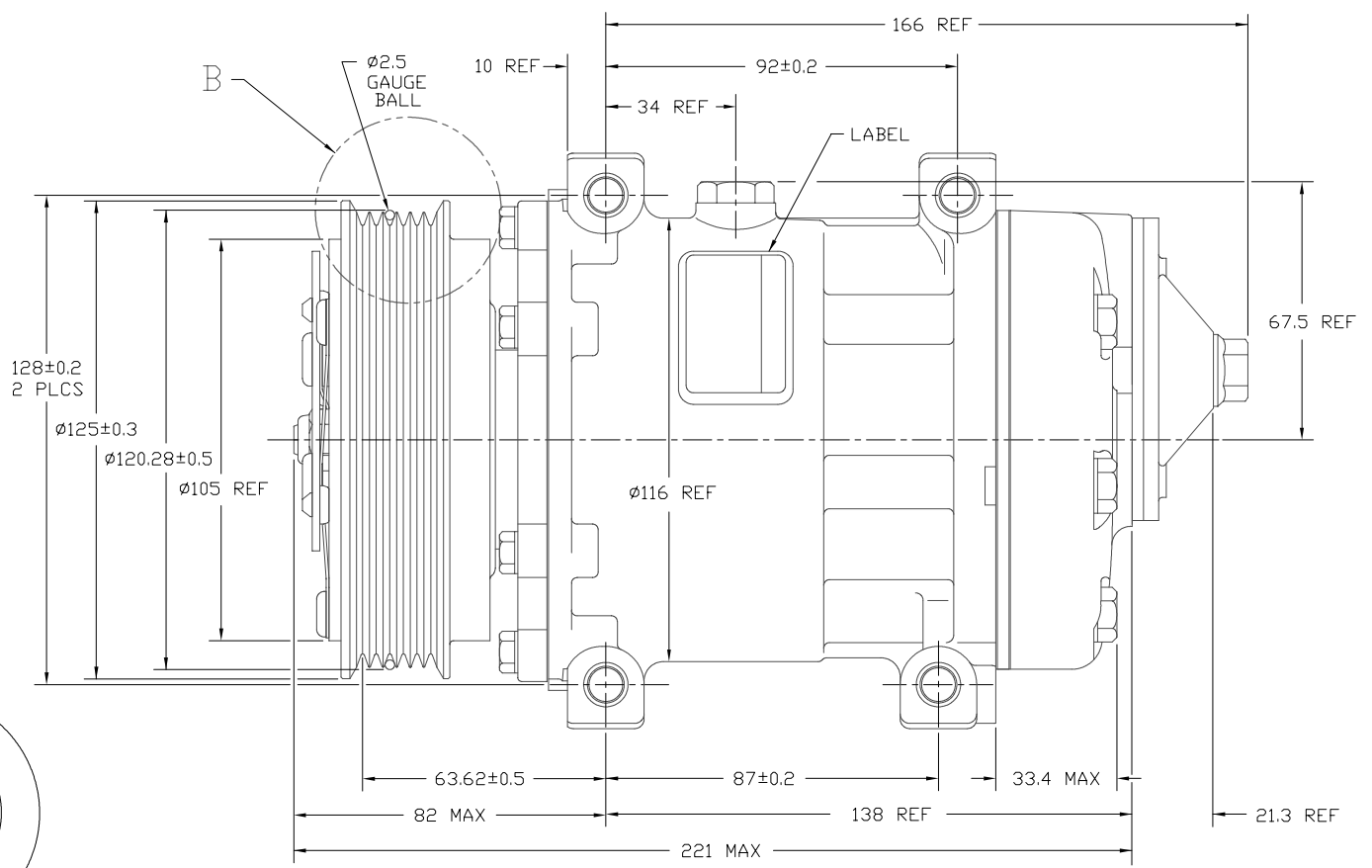
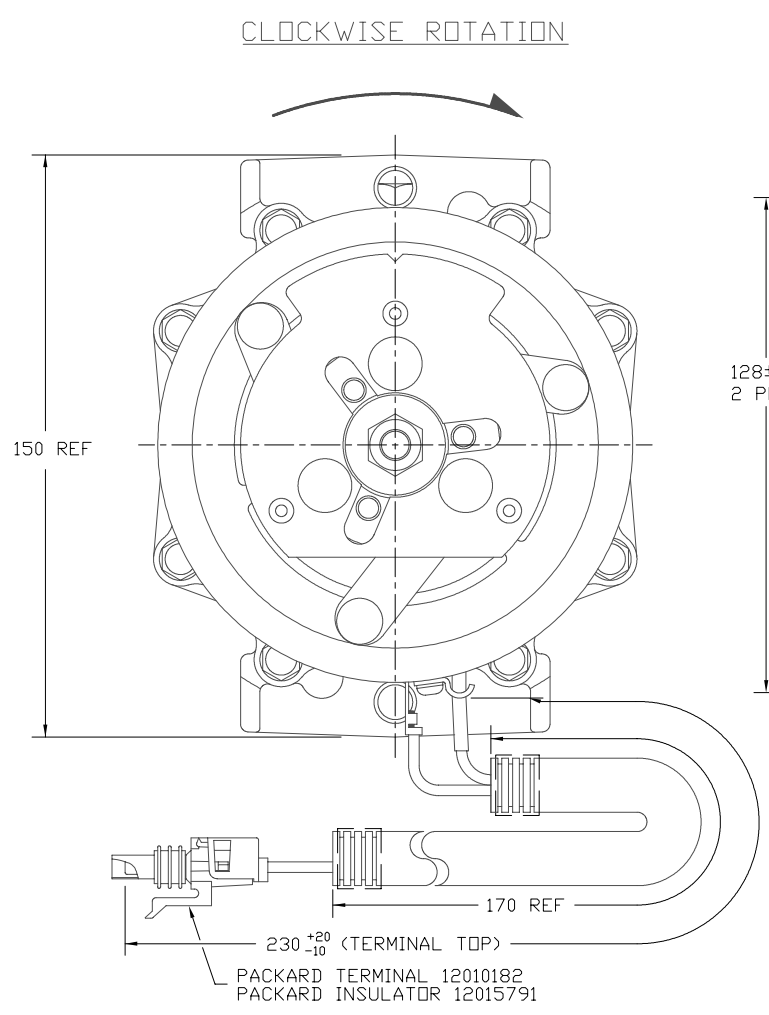


DETAIL B  
SCALE 3:1



SECTION C-C

(SECTION WITH O-RINGS, SHIPPING PAD ASSEMBLY, AND BOLT REMOVED)



COMPRESSOR SPECIFICATIONS

DISPLACEMENT PER REVOLUTION	154.9 cc / rev. ( 9.5cu.in. / rev. )
MAXIMUM ALLOWABLE R.P.M.	8000 R.P.M.
MAXIMUM ALLOWABLE CONTINUOUS R.P.M.	6000 R.P.M.
REFRIGERANT	R134a
OIL (SP-15)	135 cc (4.5 fl.oz. )
COMPRESSOR WEIGHT	7.5 kg ( 16.6 lb. )

CLUTCH SPECIFICATIONS

RATED VOLTAGE	DC 12V
BREAKAWAY TORQUE	3.5 kgf-m min. @ 12V
MINIMUM ENGAGEMENT VOLTAGE	7.5V @ AIR GAP 0.6mm REF
POWER CONSUMPTION	49 WATTS MAX
BELT TYPE	PV6 TYPE
MAXIMUM ALLOWABLE BELT TENSION	90 kgf
PULLEY DIAMETER	Ø119 mm (4.7 in.)
CLUTCH TYPE	STANDARD

REV. LEVEL	RELEASED FOR ENGG DEVELOPMENT	<p>SANDEN INTERNATIONAL ( U.S.A. ), INC.</p>
DSGN	Alpha Nagasaka	
DWN	Sum In 10/29/05	<p>SCALE REF 1:1 PLOTTED SCALE REF 1:1 METRIC</p> <p>This drawing and the information contained hereon are CONFIDENTIAL and PROPRIETARY to Sanden International (U.S.A.), Inc. are received in CONFIDENCE and shall not be used, copied, or disclosed to others without the written permission of Sanden International (U.S.A.), Inc.</p>
CHK	2902	
APPV	N.S. Nagasaka	<p>INTERPRETATION OF THIS DRAWING PER ASME Y14.5M-1994</p>
DATE	11-8-05/11-9-05	
REV. LEVEL	RELEASED FOR DESIGN VALIDATION	<p>THIRD ANGLE PROJECTION</p>
DSGN	S.N. / P.C.S.	
APPV	N.S. Nagasaka	<p>SIZE D</p>
DATE	11-8-05/11-9-05	
REV. LEVEL	RELEASED FOR PRODUCTION VAL'D.	<p>MATERIAL:</p>
DSGN	S.N. / P.C.S.	
APPV	N.S. Nagasaka	<p>NAME</p>
DATE	11-8-05/11-9-05	
REV. LEVEL	RELEASED FOR PRODUCTION	<p>COMPRESSOR</p>
DSGN	08	
APPV	J. Watanabe	<p>DWG. NO. 4799-6000</p>
DATE	6/6/07	
		REV. A

DO NOT SCALE