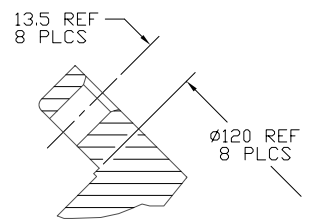
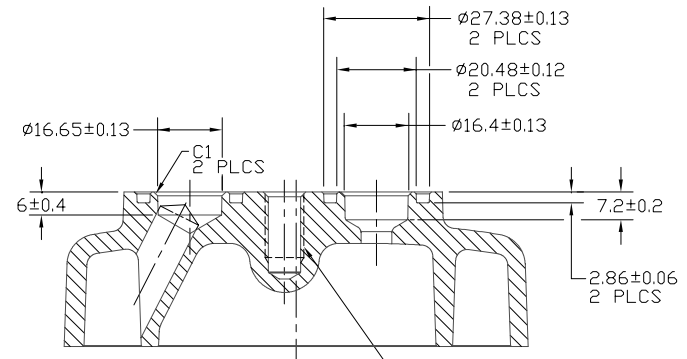


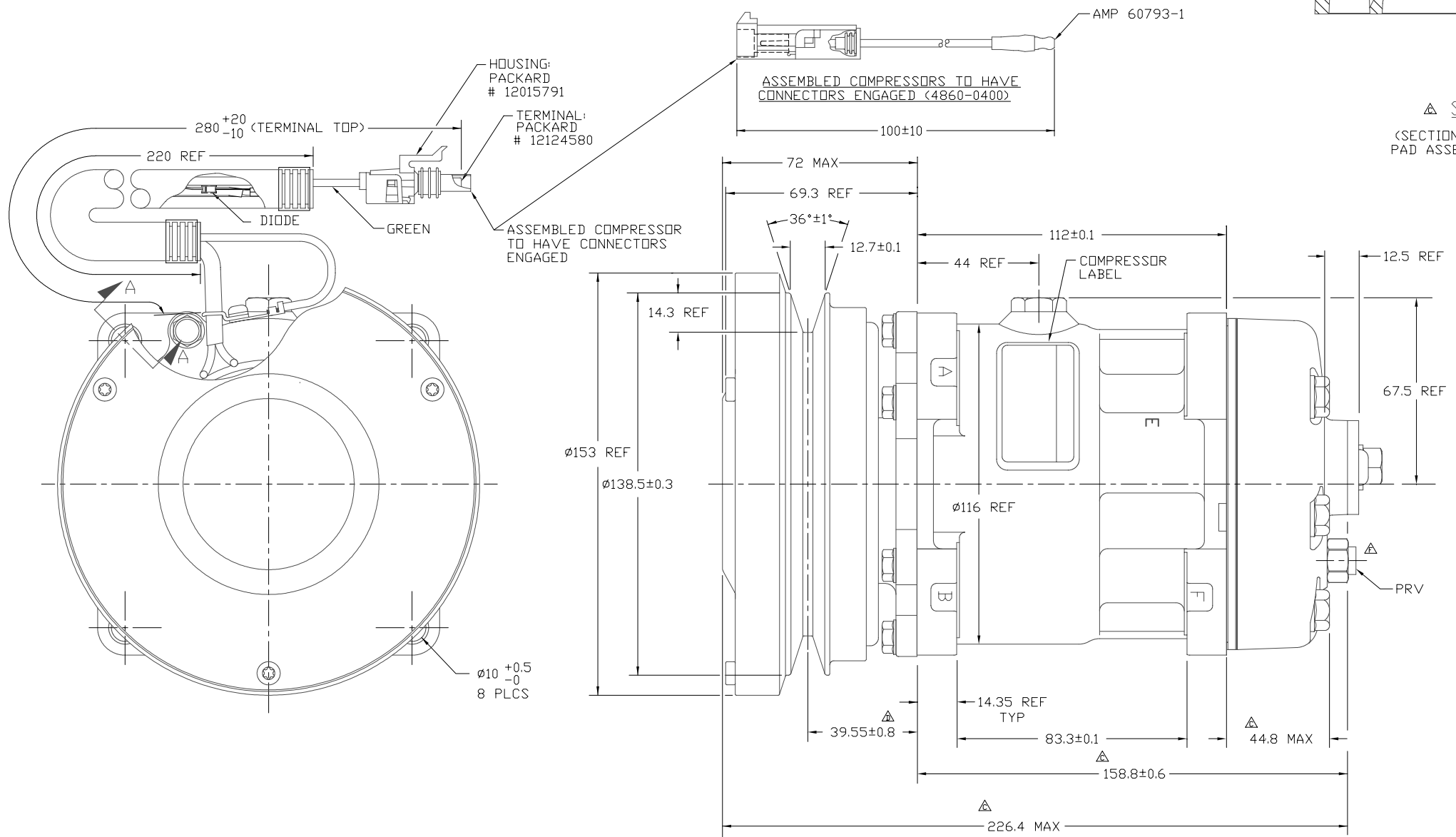
CIRCUIT DIAGRAM



SECTION B-B



SECTION A-A
(SECTION WITH O-RINGS, SHIPPING PAD ASSEMBLY, AND BOLT REMOVED)



COMPRESSOR SPECIFICATIONS (REF)

| | |
|------------------------------------|--------------------------------------|
| DISPLACEMENT PER REVOLUTION | 154.9 cc / rev. (9.5cu.in. / rev.) |
| MAXIMUM ALLOWABLE SPEED | 4000 R.P.M. |
| MAXIMUM ALLOWABLE CONTINUOUS SPEED | 4000 R.P.M. |
| REFRIGERANT | R134a |
| OIL (SP-15) | 200 cc (6.76 fl.oz.) |
| WEIGHT | 8.5 kg (18.8 lb.) |

CLUTCH SPECIFICATIONS (REF)

| | |
|--------------------------------|-------------------------|
| RATED VOLTAGE | DC 24V |
| BREAKAWAY TORQUE | 3.5 kgf-m min. @ 24V |
| MINIMUM ENGAGEMENT VOLTAGE | 16V @ AIR GAP 0.6mm |
| POWER CONSUMPTION | 34 watts max. |
| BELT TYPE | A TYPE |
| MAXIMUM ALLOWABLE BELT TENSION | 60 kgf |
| PULLEY DIAMETER | Ø138.5 mm (5.453 in.) |
| CLUTCH TYPE | SEALED HEAVY DUTY |

NOTE:
1. N₂ HOLDING CHARGE DELETED.

| PDCN | REV. | APPV DATE | REVISIONS | DWN | DSGN | CHK | APPV |
|---------|------|-----------|---|-----|------|-----|------|
| | △ | | INITIAL RELEASE | | | | |
| 2001340 | △ | 11/7/01 | DIL SP-15 WAS SP-20 | JS | LK | DRL | MY |
| 2002074 | △ | 3/27/02 | 44.8 MAX WAS 33.4, 226.4 MAX WAS 220 MAX, 158.8±0.6 WAS 147.4±0.6. REMOVE GN CYL HEAD AND DIMS ADDED GV CYL HEAD AND DIMS. REVISED SECT A-A | DKC | MH | DRL | JC |
| 2002175 | △ | 6/24/02 | 39.55±0.8 WAS 39.55±0.3 | DRL | MH | DRL | RG |
| 2003033 | △ | 3/28/03 | IN COMPRESSOR SPECIFICATIONS: 4000 RPM WAS 7000 RPM 4000 RPM WAS 6000 RPM 8.5 kg (18.8lb) WAS 7.6 kg (16.8 lb) | JS | DS | DRL | RG |
| 2006310 | △ | 12/11/06 | PRV: 4307-6470 WAS 4967-6470 | RSR | JW | DRL | TK |

| | | | | | |
|------------|---------------------------------|--|--|-------------------------------|---------------|
| REV. LEVEL | RELEASED FOR: ENG'G DEVELOPMENT | <p>SANDEN INTERNATIONAL (U.S.A.), INC.</p> | <p>INTERPRETATION OF THIS DRAWING PER ASME Y14.5M-1994</p> | <p>THIRD ANGLE PROJECTION</p> | <p>SIZE D</p> |
| DWN | M Harrington | | | | |
| CHK | J Sokolowski | DRAWN SCALE REF | 1:1 | PLOTTED SCALE REF | NONE METRIC |
| APPV. | D Seals | <p>This drawing and the information contained hereon are CONFIDENTIAL and PROPRIETARY to Sanden International (U.S.A.), Inc., and are received in CONFIDENCE and shall not be used, copied, or disclosed to others without the written permission of Sanden International (U.S.A.), Inc.</p> | | | |
| REV. LEVEL | RELEASED FOR: DESIGN VALIDATION | <p>DATE</p> | | | |
| DWN | M Harrington | | | | |
| APPV. | D Seals | | | | |
| REV. LEVEL | RELEASED FOR: PRODUCTION VAL'D. | <p>MATERIAL:</p> | | | |
| DWN | M Harrington | | | | |
| APPV. | D Seals | | | | |
| REV. LEVEL | RELEASED FOR: PRODUCTION | <p>NAME</p> | | | |
| DWN | Marrk Harrington | <p>COMPRESSOR</p> | | | |
| APPV. | Robert Garver | <p>DWG. NO. 4877-6000</p> | | | |
| REV. LEVEL | DATE | <p>REV. F</p> | | | |

DO NOT SCALE