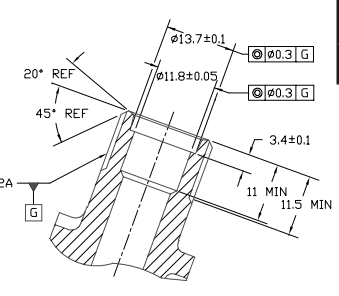
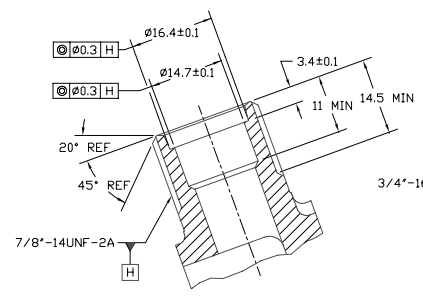
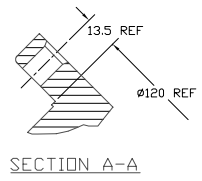
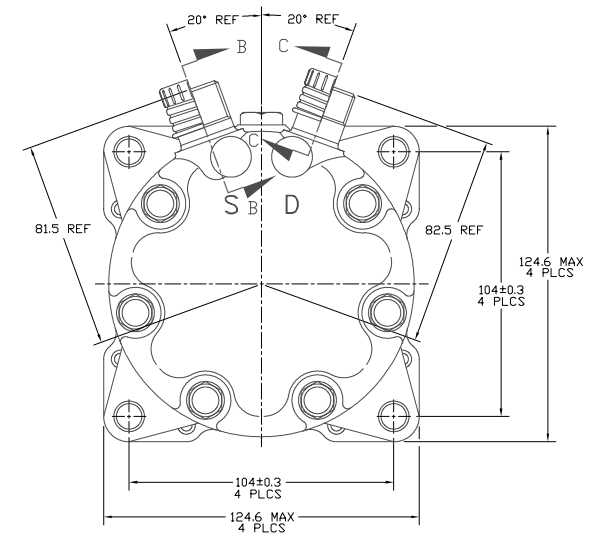
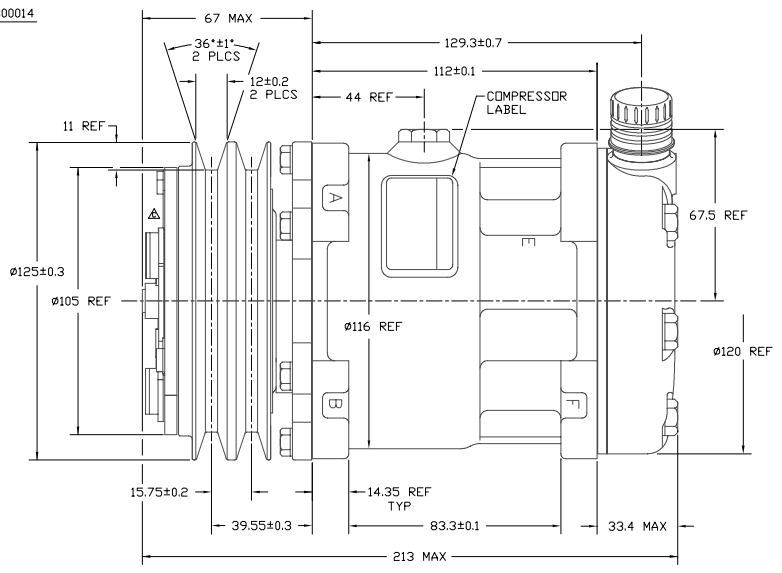


SEE NOTE 2.



SECTION B-B
SCALE 2:1
(SECTION SHOWN WITH SEAL CAP REMOVED)

SECTION C-C
SCALE 2:1
(SECTION SHOWN WITH SEAL CAP REMOVED)



PCDN	REV	APPV DATE	REVISIONS	INVN	SSGN	CHK	APPV
			INITIAL RELEASE				
0001340		11/14/01	OIL (SP-15) WAS OIL (SP-05)	RSR	LK	DRL	MY
0002193			ARMATURE 6574-6030 WAS 6730-6030 COIL 6736-6040 WAS 6745-6040 000210 WAS 28040	JS	DS	DRL	NB
0002212		8/23/02	ADDED JUMPER ASSY 4894-0400 AND NOTE 2.				
0002198		5/27/03	SAE OIL 16 AWG (BLACK) WAS AVX 12S (BLACK) SAE OIL 16 AWG (BLACK W/WHITE TRACER) WAS AVX 12S (BLACK W/ WHITE TRACER)	JS	HF	DRL	BP NB

COMPRESSOR SPECIFICATIONS

DISPLACEMENT PER REVOLUTION	154.9 cc / rev. (9.5cuin. / rev.)
MAXIMUM ALLOWABLE R.P.M.	8000 R.P.M.
MAXIMUM ALLOWABLE CONTINUOUS R.P.M.	6000 R.P.M.
REFRIGERANT	R134a
OIL (SP-15)	300 cc (10.1 floz.)
WEIGHT	7.4 kg (16.4 lb.)

CLUTCH SPECIFICATIONS

RATED VOLTAGE	DC 12V
BREAKAWAY TORQUE	3.5 kgf·m min. @ 12V
MINIMUM ENGAGEMENT VOLTAGE	7.5V @ AIR GAP 0.6mm REF
POWER CONSUMPTION	49 watts max.
BELT TYPE	A TYPE
MAXIMUM ALLOWABLE BELT TENSION	60 kgf per belt
PULLEY DIAMETER	Ø125mm (4.9 in.)
CLUTCH TYPE	HEAVY DUTY

NOTE:
 1. [G] AND [H] ARE THE OUTSIDE DIAMETERS OF 3/4"-16UNF-2A AND 7/8"-14UNF-2A, RESPECTIVELY.
 2. PACKAGE JUMPER ASSY IN 4"x6" 2 mil (REF) LDPE ZIPPER-LOCK BAG.

DO NOT SCALE

REV. LEVEL: RELEASED FOR PRODUCTION DRAWN: D. Seals DATE: 03/29/01 DESIGN VALIDATION: C. Cozart DATE: 03/29/01 INTERPRETATION OF THIS DRAWING PER ASME Y14.5M-1994 THIRD ANGLE PROJECTION MATERIAL:	 SANDEN SANDEN INTERNATIONAL CORPORATION, INC. 111 METRIC This drawing and the information contained herein are CONFIDENTIAL and PROPRIETARY to Sanden International (U.S.A.), Inc. and are to be used, copied, or disclosed to others without the written permission of Sanden International (U.S.A.), Inc. NAME: SD7H15JD4895 COMPRESSOR DWG. NO.: 4896-6000 REV. D
--	---