

PDCN	REV	APPV DATE	REVISIONS	DWN	DSGN	CHK	APPV
			INITIAL ISSUE REF. 3453-6000, REV. -				
2007161		7/9/07	REPLACED WITH 3455-6000 REV 0	JS	AW	AA	RM
2008027			REPLACED WITH GENERIC LABEL	JS	AW	MK	RM

COMPRESSOR SPECIFICATIONS

Displacement/Rev	1211 cc/rev.
Oil	S.P. - 10
Oil Charge	180 cc
Refrigerant	R 134a
Rotation (Clutch Side View)	Clock Wise
Total Mass (without Oil)	Approx. 6.4 kg (14.1 lb)

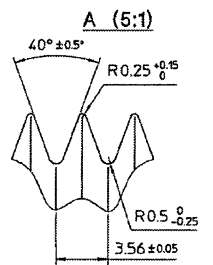
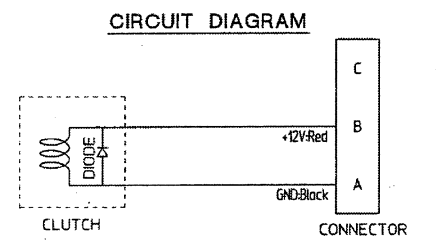
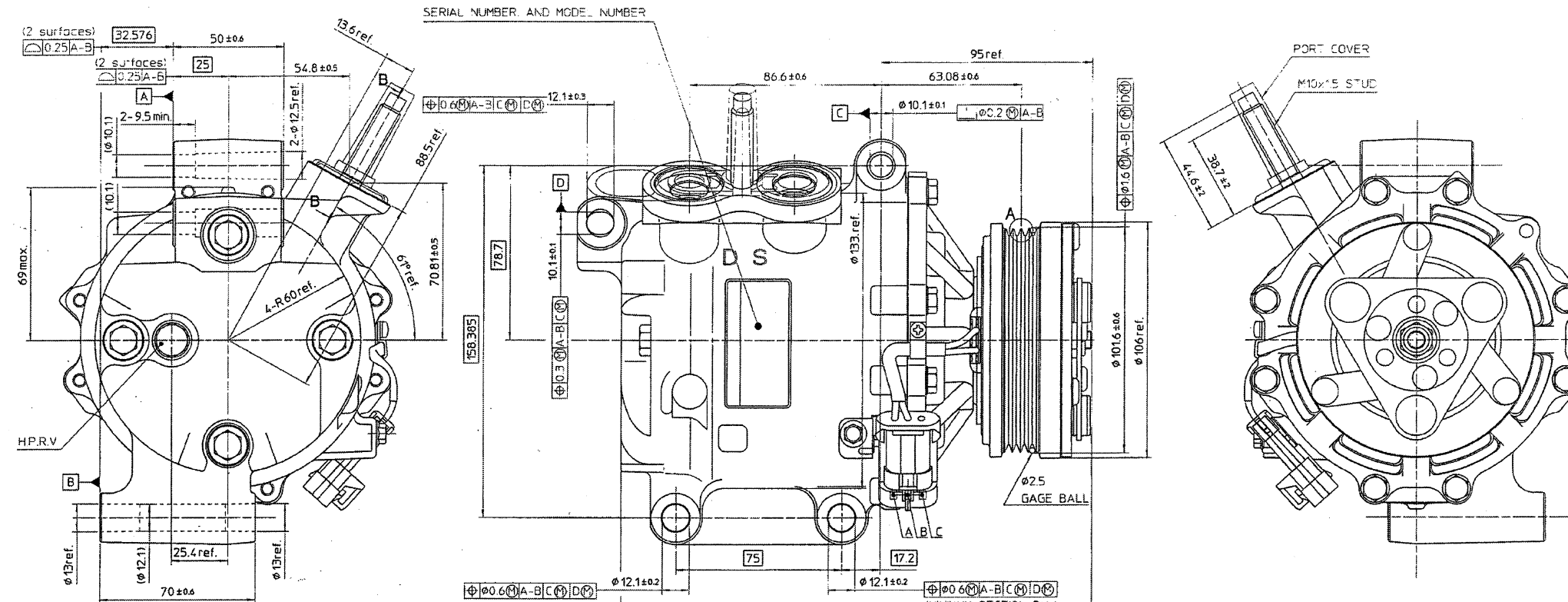
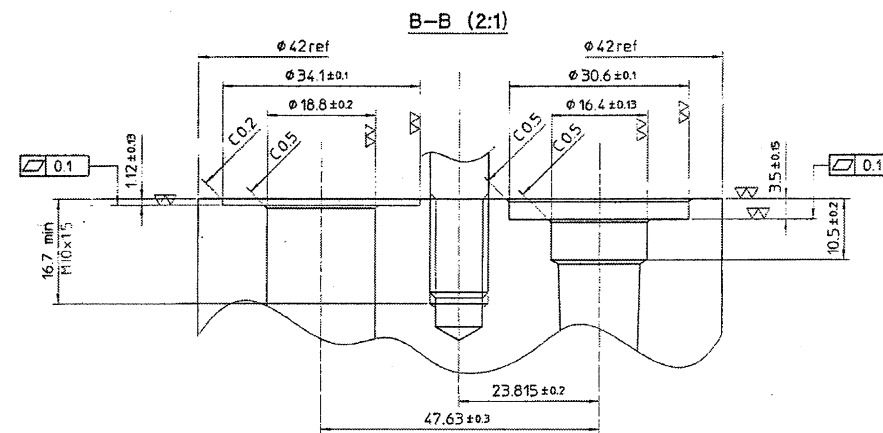
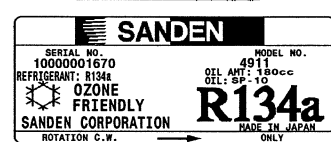
CLUTCH SPECIFICATIONS

Rated Voltage	D.C. 12 V
Breakaway Torque	4.2 N.m Min. (30.4 ft.lbf)
Min Engagement Voltage	7.5 V (at 0.5mm Gap)
Power Consumption	46 W Max.
Belt Type	P V 4 G Type
Pulley Diameter	101.6 mm (Using 2.5mm gage ball.)

DIODE

TOSHIBA No	SS5688N OR EQUIVALENT
------------	-----------------------

NAME PLATE(2:1) A



DO NOT SCALE

REV. LEVEL	RELEASED FOR	DESIGN	APPV	DATE	MODEL	NAME	SIZE	DWG. NO.	REV
A	R. Rodriguez	Smey Chhim	Rene Martinez	07/31/06	TRSA12	COMPRESSOR	D	4911-6000	C
	Dennis Lee								

SANDEN
 SANDEN INTERNATIONAL, U.S.A., INC.
 SCALE: REF NONE METRIC
 INTERPRETATION OF THIS DRAWING PER ASME Y14.5M-1994
 THIRD ANGLE PROJECTION