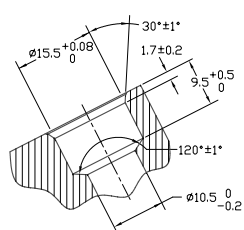
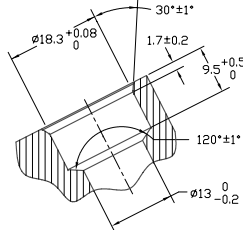


16 | 15 | 14 | 13 | 12 | 11 | 10 | 9 | 8 | 7 | 6 | 5 | 4 | 3 | 2 | 1

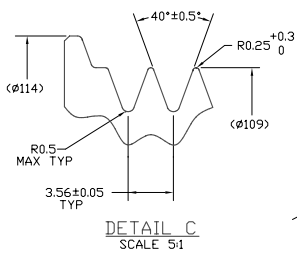
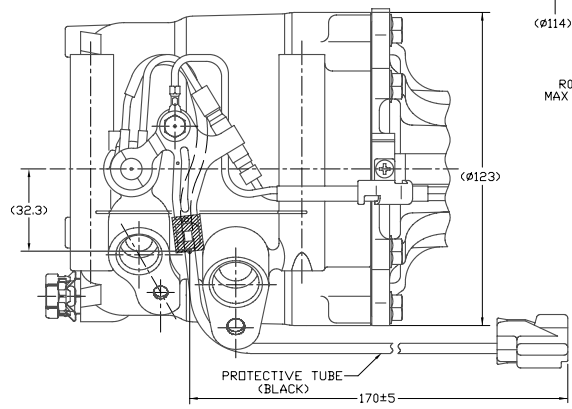
PCDN	REV	APPV	REVISIONS	DWN	ESGN	CHK	APPV
			INITIAL RELEASE				



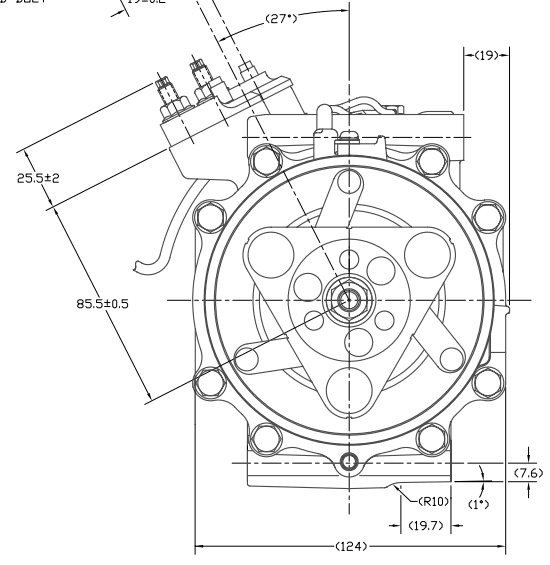
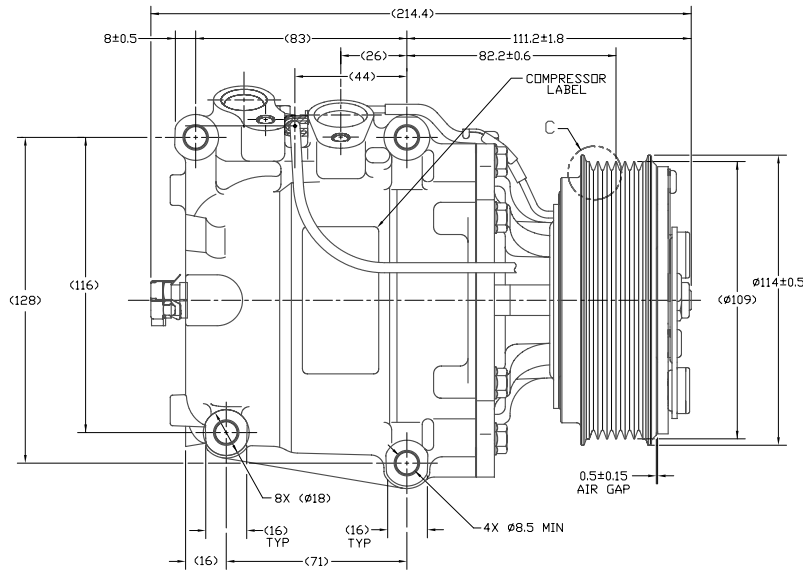
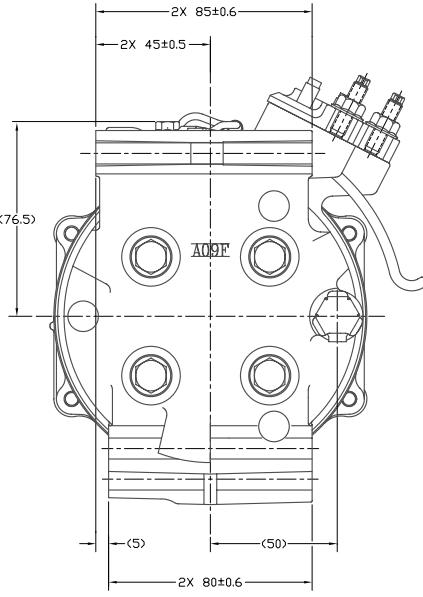
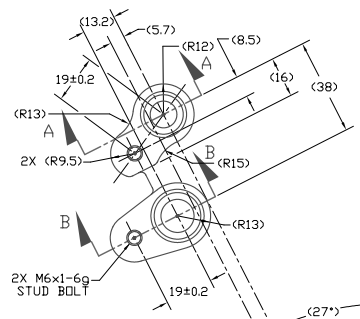
SECTION A-A
SCALE 2:1



SECTION B-B
SCALE 2:1



DETAIL C
SCALE 5:1



REV. LEVEL	RELEASED FOR	DESIGN DEVELOPMENT	ISDN	A Whitaker
ISDN	J Sokolowski	SCALE	1:1	PLOTTED
CHK	Sney Dwin	SCALE	1:1	AND METRIC
APPV	Rene Martinez	DATE	4/16/87	DATE
REV. LEVEL	RELEASED FOR	DESIGN VALIDATION	ISDN	A Whitaker
ISDN	Rene Martinez	DATE	4/16/87	DATE
REV. LEVEL	RELEASED FOR	PRODUCTION VAL. D.	ISDN	A Whitaker
ISDN	Rene Martinez	DATE	4/16/87	DATE
REV. LEVEL	RELEASED FOR	PRODUCTION	ISDN	A Whitaker
ISDN	Rene Martinez	DATE	4/16/87	DATE

SANDEN
SANDEN INTERNATIONAL, INC.

This drawing and the information contained herein are CONFIDENTIAL and PROPRIETARY to Sanden International (U.S.A.), Inc. and shall not be used, copied, or disclosed to others without the written permission of Sanden International (U.S.A.), Inc.

INTERPRETATION OF THIS DRAWING PER
ASME Y14.5M-1994

THIRD ANGLE PROJECTION

MATERIAL: ϕ \leftarrow \leftarrow \leftarrow

NAME: COMPRESSOR

DWG. NO. 4913-6000

SIZE: D

REV. LEVEL: A

DO NOT SCALE

16 | 15 | 14 | 13 | 12 | 11 | 10 | 9 | 8 | 7 | 6 | 5 | 4 | 3 | 2 | 1