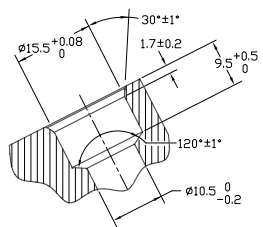
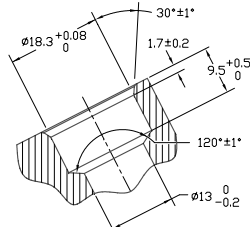


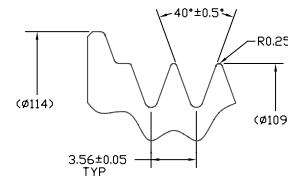
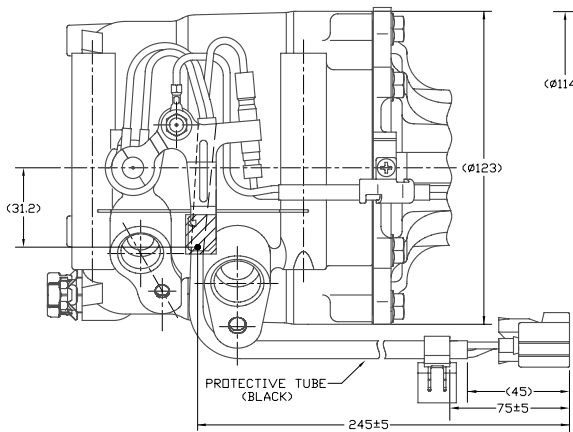
PCDN	REV	APPV	REVISIONS	DWN	ESGN	CHK	APPV
Δ			INITIAL RELEASE				



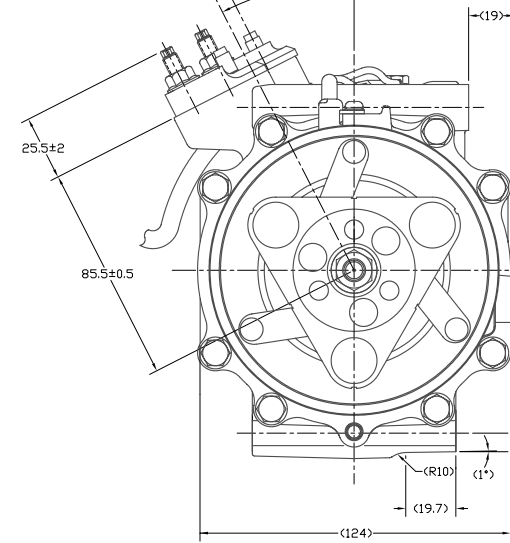
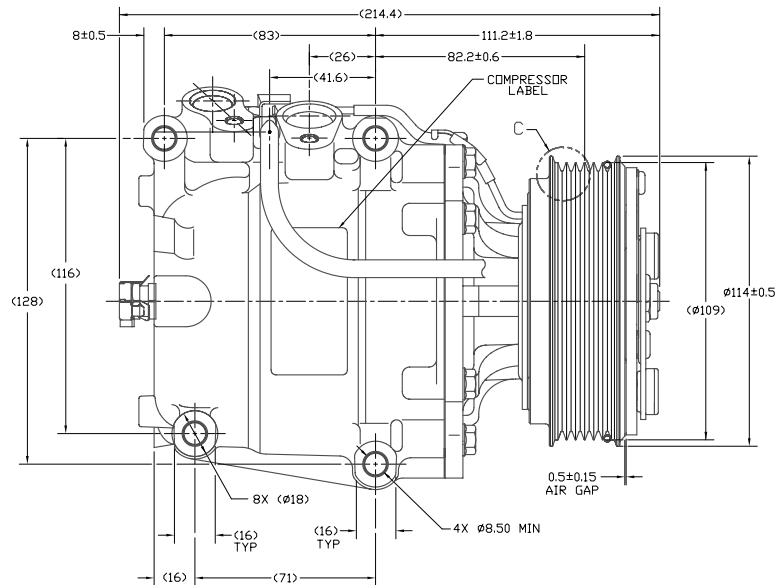
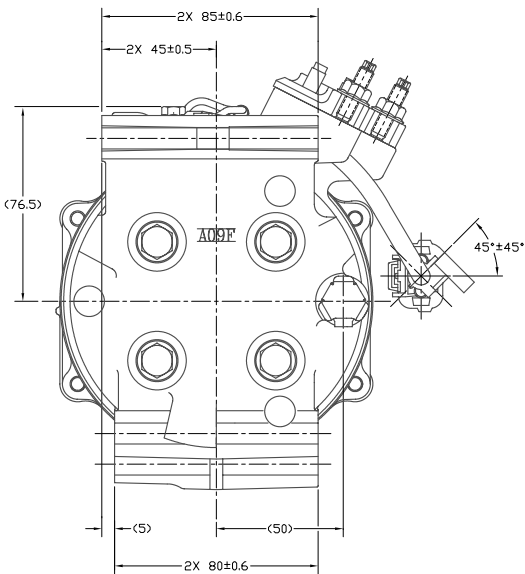
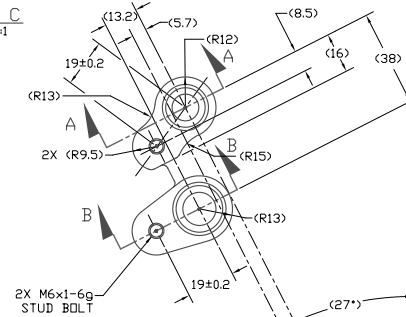
SECTION A-A
SCALE 2:1



SECTION B-B
SCALE 2:1



DETAIL C
SCALE 5:1



REV. LEVEL	RELEASED FOR	DESIGN DEVELOPMENT	DESIGN	A	Whitaker
DRAWN	J Sadowski	SCALE	1:1	PLOTTED	SCALE
CHK	Sney Dwin	DATE	4/16/87	DATE	4/16/87
APPV	Rene Martinez	DATE	4/16/87	DATE	4/16/87
REV. LEVEL	RELEASED FOR	DESIGN VALIDATION	DESIGN	A	Whitaker
APPV	Rene Martinez	DATE	4/16/87	DATE	4/16/87
REV. LEVEL	RELEASED FOR	PRODUCTION VAL. D.	DESIGN	A	Whitaker
APPV	Rene Martinez	DATE	4/16/87	DATE	4/16/87
REV. LEVEL	RELEASED FOR	PRODUCTION	DESIGN	A	Whitaker
APPV	Rene Martinez	DATE	4/16/87	DATE	4/16/87
DO NOT SCALE		INTERPRETATION OF THIS DRAWING PER ASME Y14.5M-1994		THIRD ANGLE PROJECTION	
		MATERIAL:		SIZE: D	
		NAME:		COMPRESSOR	
		DWG. NO. 4914-6000		REV. A	