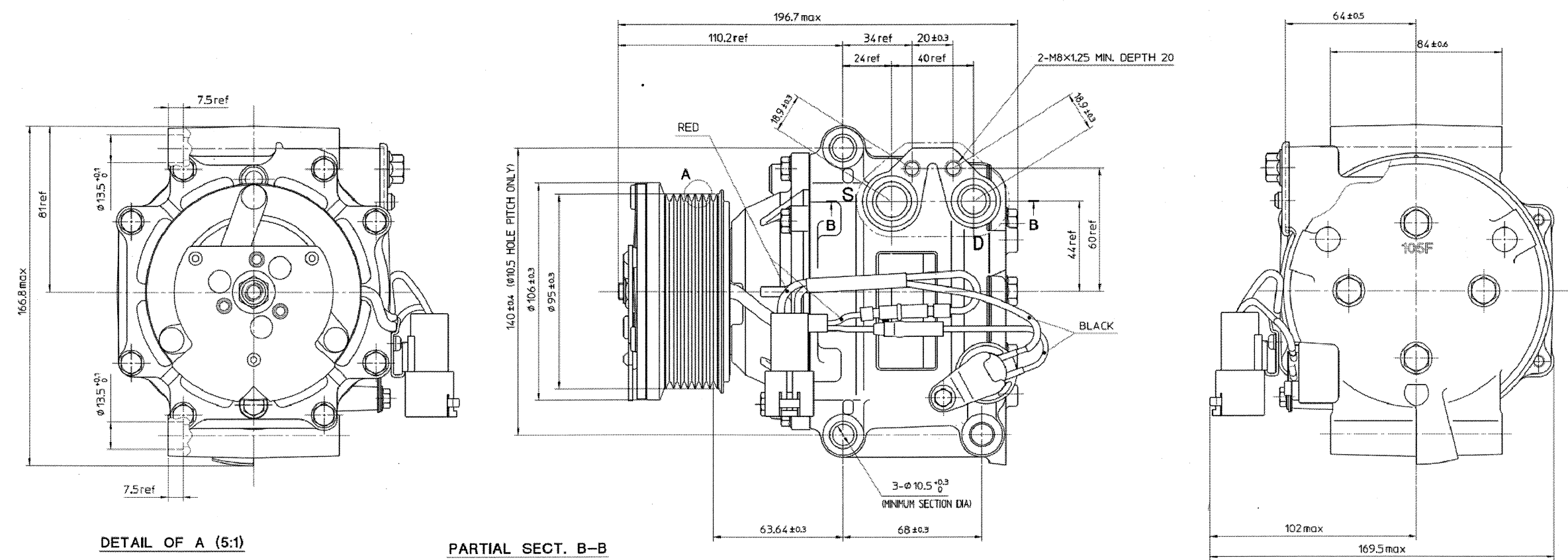
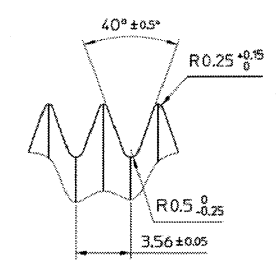


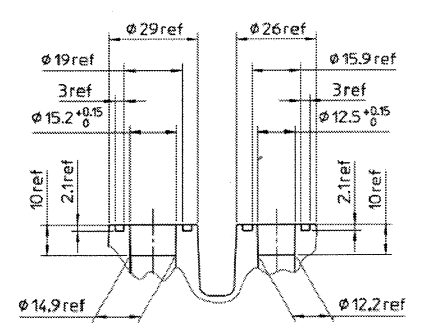
PBCH	REV	APPV DATE	REVISIONS	DVN	DSGN	CHK	APPV
			INITIAL RELEASE REFERENCE FILE: 294-6000.pdf				



DETAIL OF A (5:1)



PARTIAL SECT. B-B



COMPRESSOR SPECIFICATIONS

DISPLACEMENT PER REVOLUTION	104.8 cc/rev.
MAXIMUM ALLOWABLE CONTINUOUS SPEED	10000 r.p.m.
MAXIMUM DOWNSHIFT SPEED	12000 r.p.m.
REFRIGERANT	R134c
OIL	SP-10
OIL CHARGE	150 cc
ROTATION (CLUTCH SIDE VIEW)	CLOCKWISE
MOUNTING ANGLE	45° LEFT THROUGH 45° RIGHT
WEIGHT	4.5 Kg

CLUTCH SPECIFICATIONS

RATED VOLTAGE	DC 12 V
MINIMUM BREAKAWAY TORQUE	3.6 Kg·m
MINIMUM ENGAGEMENT VOLTAGE	DC 7.5 V (AT 0.5mm GAP)
MAXIMUM POWER CONSUMPTION	48 W
MAXIMUM DOWNSHIFT SPEED	12000 r.p.m.
BELT TYPE	PV7G TYPE
PULLEY DIAMETER	95 mm
WEIGHT	1.9 Kg

THERMAL PROTECTOR SPECIFICATIONS

TYPE	BIMETAL
CUT OFF TEMPERATURE	115 °C ± 3 °C
CUT IN TEMPERATURE	100 °C ± 6 °C

REV. LEVEL	RELEASED FOR DESIGN DEVELOPMENT	<p>SANDEN INTERNATIONAL, U.S.A. 3, INC.</p> <p>SCALE: REF NONE PLOTTED NONE METRIC</p> <p>This drawing and the information contained hereon are CONFIDENTIAL and PROPRIETARY to Sanden International (U.S.A.), Inc., and shall not be used, copied, or disclosed to others without the written permission of Sanden International (U.S.A.), Inc.</p>
DSGN	<i>[Signature]</i>	
DVN	<i>[Signature]</i>	
CHK	<i>[Signature]</i>	
APPV	<i>[Signature]</i>	DATE: 6-25-08
REV. LEVEL	RELEASED FOR DESIGN VALIDATION	INTERPRETATION OF THIS DRAWING PER ASME Y14.5M-1994
DSGN	<i>[Signature]</i>	THIRD ANGLE PROJECTION
APPV	<i>[Signature]</i>	SIZE D
DATE	6-25-08	
REV. LEVEL	RELEASED FOR PRODUCTION VAL'B	MATERIAL:
DSGN	<i>[Signature]</i>	
APPV	<i>[Signature]</i>	NAME
DATE	6-25-08	COMPRESSOR
REV. LEVEL	RELEASED FOR PRODUCTION	
DSGN	<i>[Signature]</i>	
APPV	<i>[Signature]</i>	4916-6000
DATE	6-25-08	REV A