

PDCN	REV	APPV DATE	REVISIONS	DWN	DSGN	CHK	APPV
			INITIAL RELEASE REFERENCE FILE: 3211-600-2.dwg				

**COMPRESSOR SPECIFICATIONS**

DISPLACEMENT PER REVOLUTION	104.8 cc/rev.
MAXIMUM ALLOWABLE CONTINUOUS SPEED	10000 r.p.m.
MAXIMUM DOWNSHIFT SPEED	12000 r.p.m.
REFRIGERANT	R134a
OIL	SP-10
OIL CHARGE	150 cc
ROTATION (CLUTCH SIDE VIEW)	CLOCKWISE
MOUNTING ANGLE (CLUTCH SIDE VIEW)	100° LEFT THROUGH 50° RIGHT
WEIGHT	4.6 Kg

**CLUTCH SPECIFICATIONS**

RATED VOLTAGE	DC 12 V
MINIMUM BREAKAWAY TORQUE	35.2 N·m
MINIMUM ENGAGEMENT VOLTAGE	DC 7.5 V (AT 0.5 mm GAP)
MAXIMUM POWER CONSUMPTION	4.8 W
MAXIMUM DOWNSHIFT SPEED	12000 r.p.m.
BELT TYPE	PV6G TYPE
PULLEY DIAMETER	100 mm
WEIGHT	1.80 Kg
MAXIMUM PERMISSIBLE BELT TENTION	1176 N
AIR GAP	0.35-0.65 mm

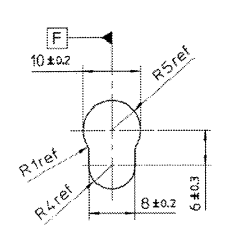
**O-RING SPECIFICATIONS**

	INSIDE DIAMETER	MATERIAL DIAMETER	MATERIAL
SUCTION SIDE	ø18.72	ø2.62	H-NBR
DISCHARGE SIDE	ø15.54	ø2.62	H-NBR

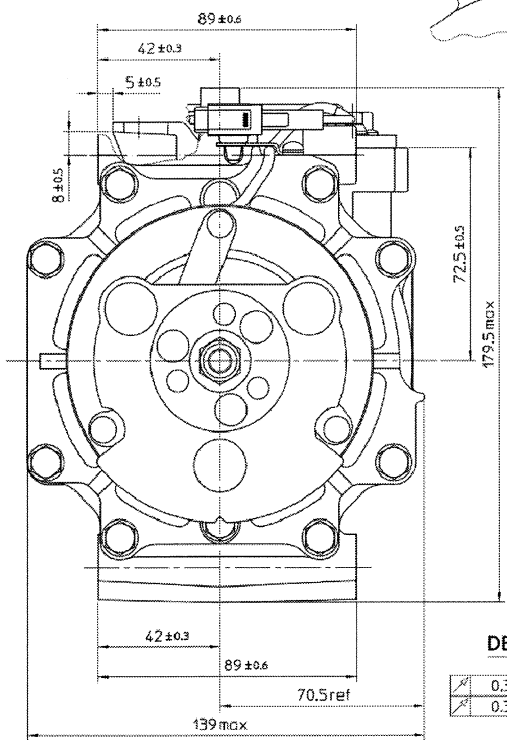
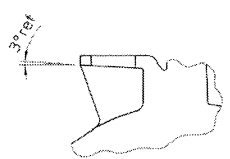
**THERMAL PROTECTOR SPECIFICATIONS**

TYPE	BIMETAL
CUT OFF TEMPERATURE	120 °C ± 3 °C
CUT IN TEMPERATURE	105 °C ± 6 °C

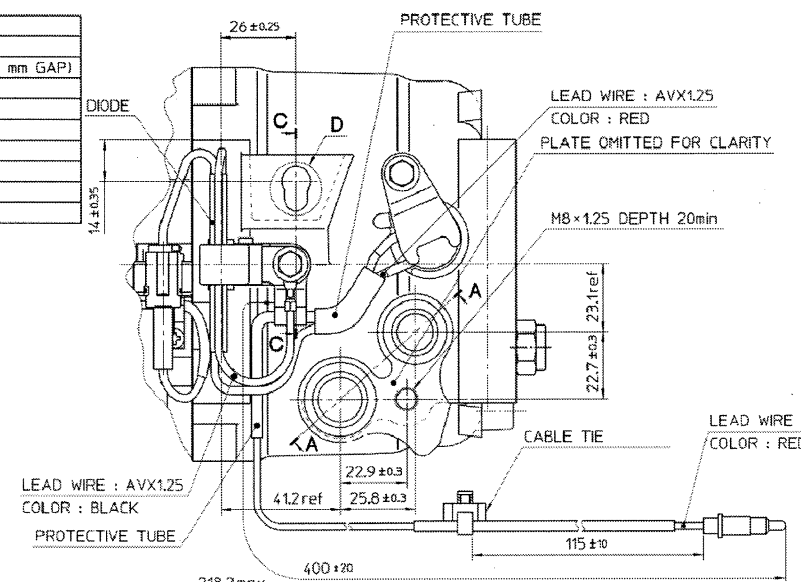
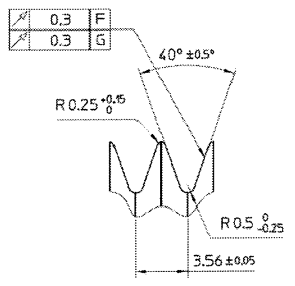
**DETAIL OF D (2:1)**



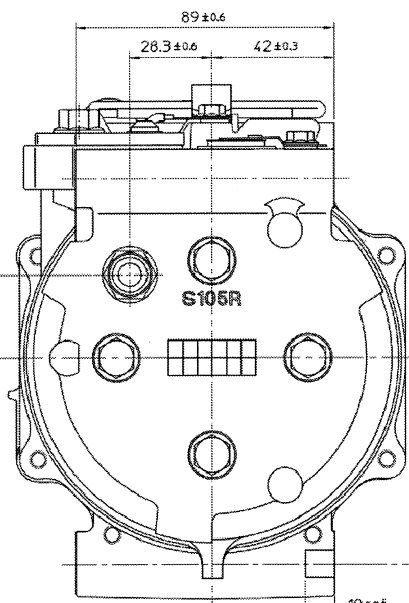
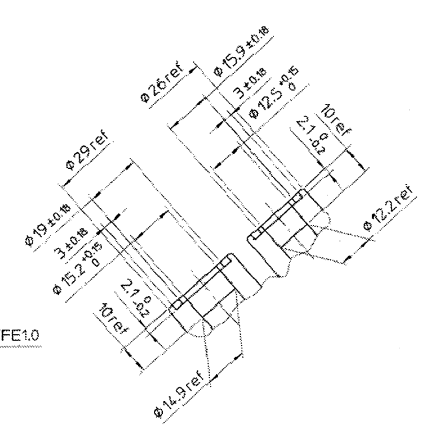
**PARTIAL SECT. C-C**



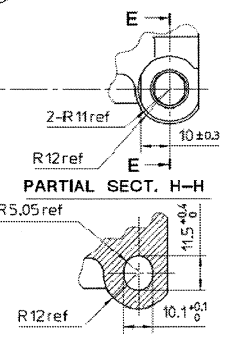
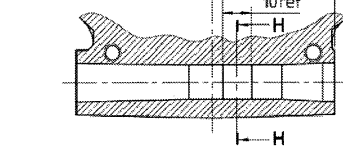
**DETAIL OF B (5:1)**



**PARTIAL SECT. A-A**



**PARTIAL SECT. E-E**



REV. LEVEL	RELEASED FOR: DESIGN DEVELOPMENT	<p><b>SANDEN</b> SANDEN INTERNATIONAL (U.S.A.), INC.</p> <p>This drawing and the information contained hereon are CONFIDENTIAL and PROPRIETARY to Sanden International (U.S.A.), Inc., and shall not be used, copied, or disclosed to others without the written permission of Sanden International (U.S.A.), Inc.</p>	<p>SCALE REF: NONE</p> <p>INTERPRETATION OF THIS DRAWING PER ASME Y14.5M-1994</p> <p>THIRD ANGLE PROJECTION</p>	<p>SIZE D</p>
A	<p>DRN: J Sokolowski</p> <p>CHK: [Signature]</p> <p>APPV: [Signature]</p> <p>DATE: 6-25-06</p>			
REV. LEVEL	RELEASED FOR: DESIGN VALIDATION			
A	<p>DRN: [Signature]</p> <p>CHK: [Signature]</p> <p>APPV: [Signature]</p> <p>DATE: 6-25-06</p>			
REV. LEVEL	RELEASED FOR: PRODUCTION VAL'D.	MATERIAL:	<p>NAME: COMPRESSOR</p>	<p>DWG. NO. 4917-6000</p>
A	<p>DRN: [Signature]</p> <p>CHK: [Signature]</p> <p>APPV: [Signature]</p> <p>DATE: 6-25-06</p>	NAME:		
REV. LEVEL	RELEASED FOR: PRODUCTION	NAME:		
A	<p>DRN: [Signature]</p> <p>CHK: [Signature]</p> <p>APPV: [Signature]</p> <p>DATE: 6-25-06</p>			