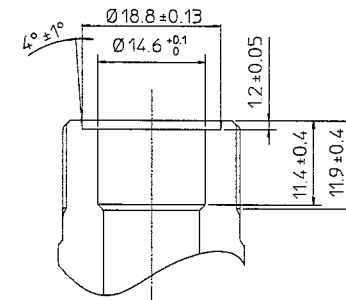
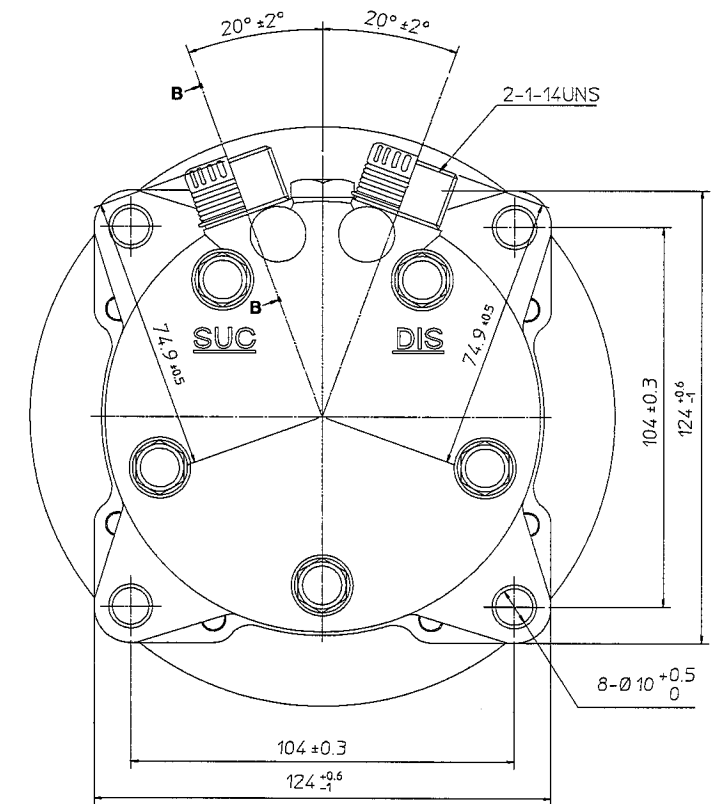
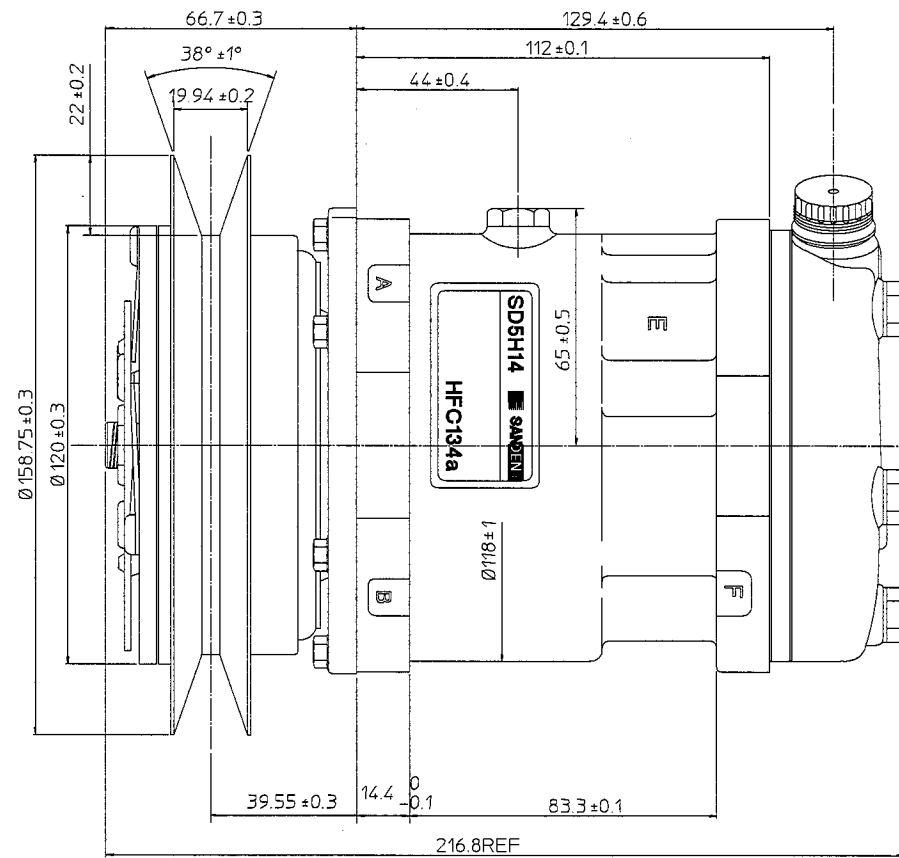


PARTIAL SECT A-A



PARTIAL SECT B-B (2:1)



**COMPRESSOR SPECIFICATIONS**

BORE	Ø35 mm
STROKE	28.6 mm
DISPLACEMENT PER REVOLUTION	138 cc/rev
NUMBER OF CYLINDERS	5
MAXIMUM ALLOWABLE r.p.m.	4000 r.p.m.
MAXIMUM ALLOWABLE CONTINUOUS r.p.m.	4000 r.p.m.
REFRIGERANT	HFC134a
OIL (SP-20 OR EQUIV.)	240 cc
ROTATION (CLUTCH SIDE VIEW)	CLOCKWISE
WEIGHT	kg

**CLUTCH SPECIFICATIONS**

RATED VOLTAGE	DC 12 V
BREAKAWAY TORQUE	3.5 kg-m
MINIMUM ENGAGEMENT VOLTAGE	7.5 V max
POWER CONSUMPTION	50 W (AL)
MAXIMUM ALLOWABLE r.p.m.	4000 r.p.m.
MAXIMUM ALLOWABLE CONTINUOUS r.p.m.	4000 r.p.m.
BELT TYPE	C1
PULLEY DIAMETER	Ø158.75mm
WEIGHT	kg

<b>SIE MASTER DRAWING</b>	
CHECKED AND APPROVED BY	
<i>[Signature]</i>	
PRINT NAME	
<i>N. SHARPIW</i>	
DATE	
<i>25/04/01</i>	

**UNCONTROLLED COPY**

△			MATERIAL	PART NO.	NAME
△				6671	COMPRESSOR
△			THIRD ANGLE PROJECTION	SCALE	
△				1:1	
△			DESIGN BY	DATE	MODEL
△			<i>Raymond</i>	14.11.00	SD5H14C6671
△			CHECKED BY	DATE	DRAWING NO.
△					6671-6000S
△			APPROVED BY	DATE	
△					
△			REVISION RECORD	BY	DATE