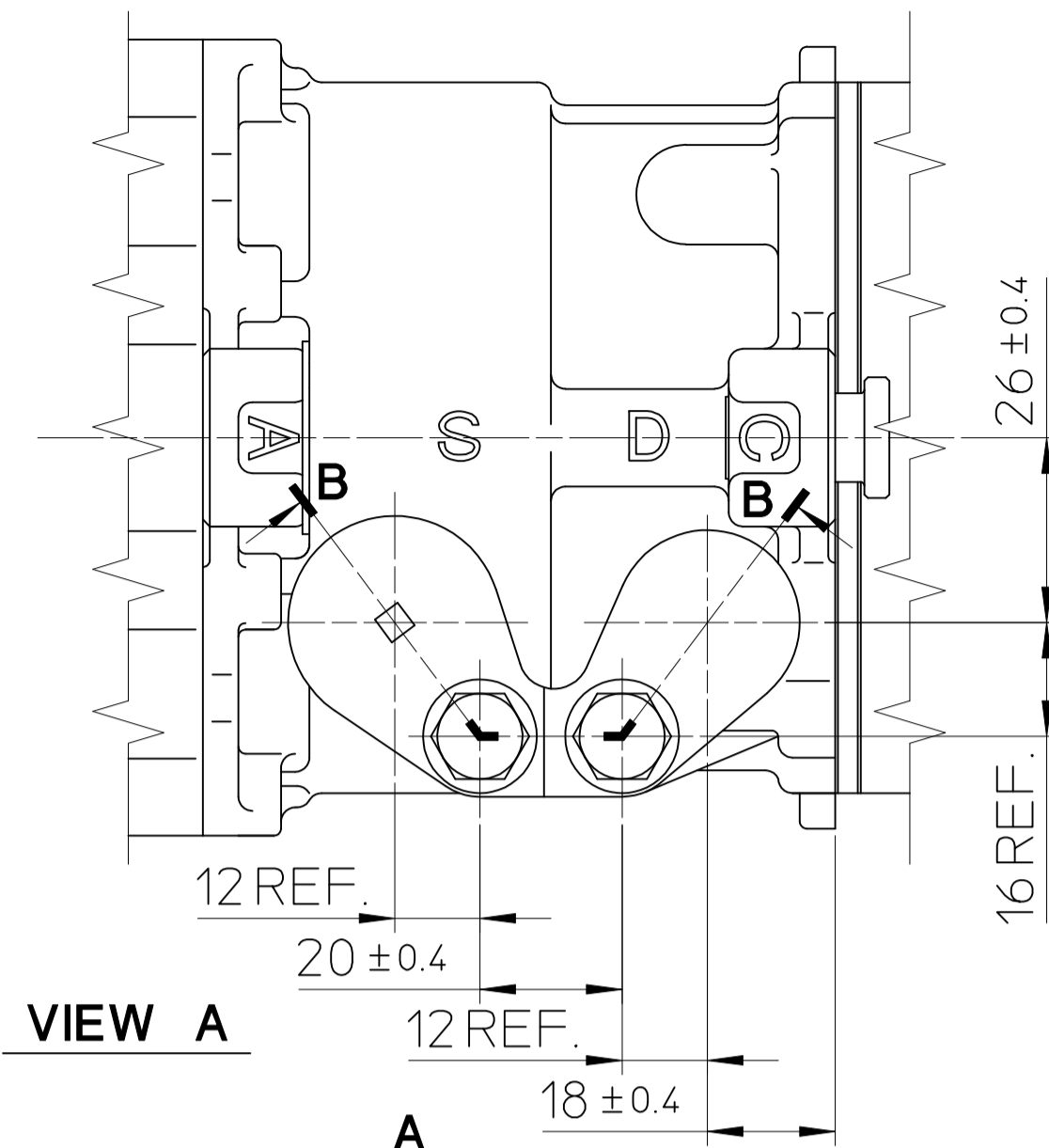
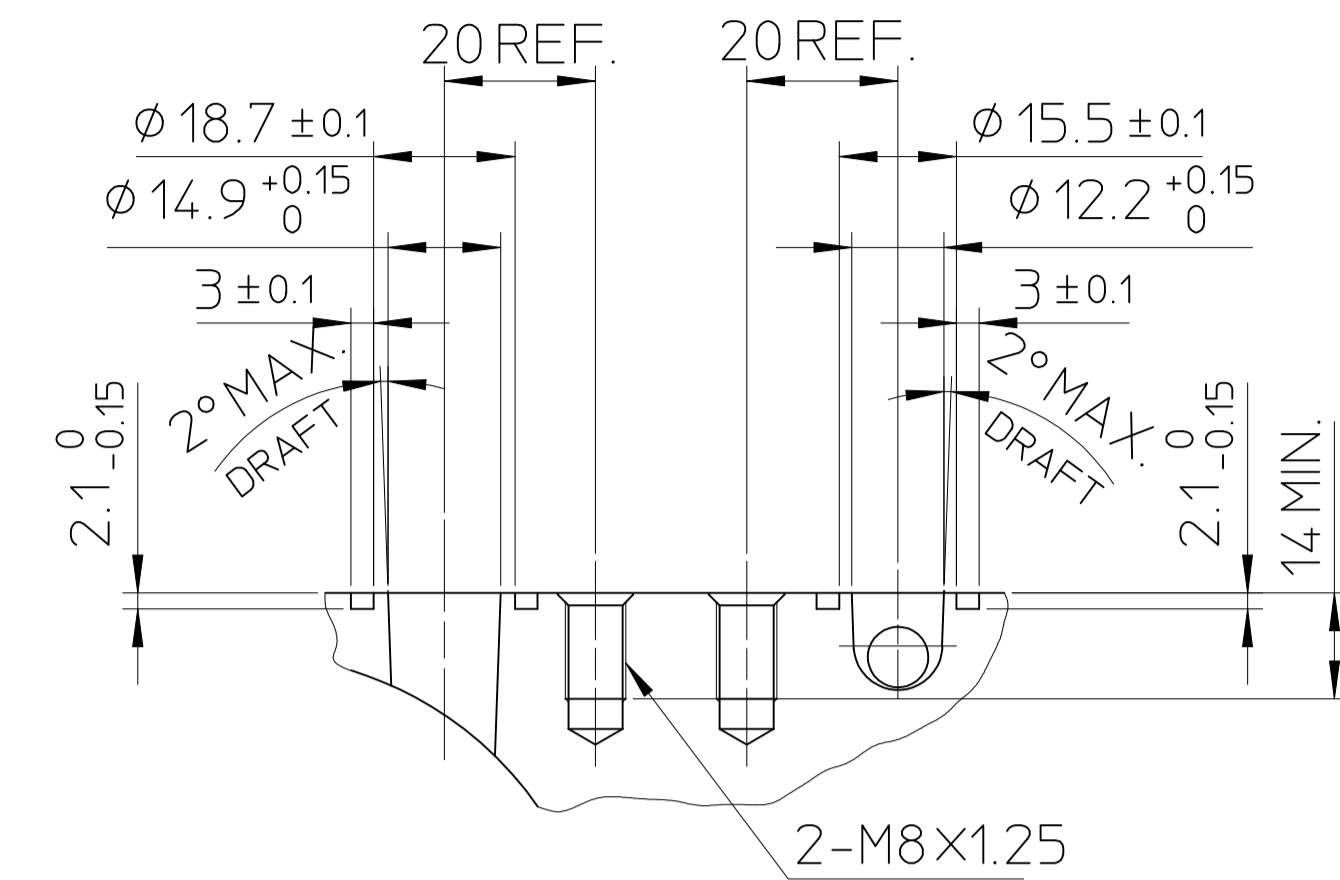


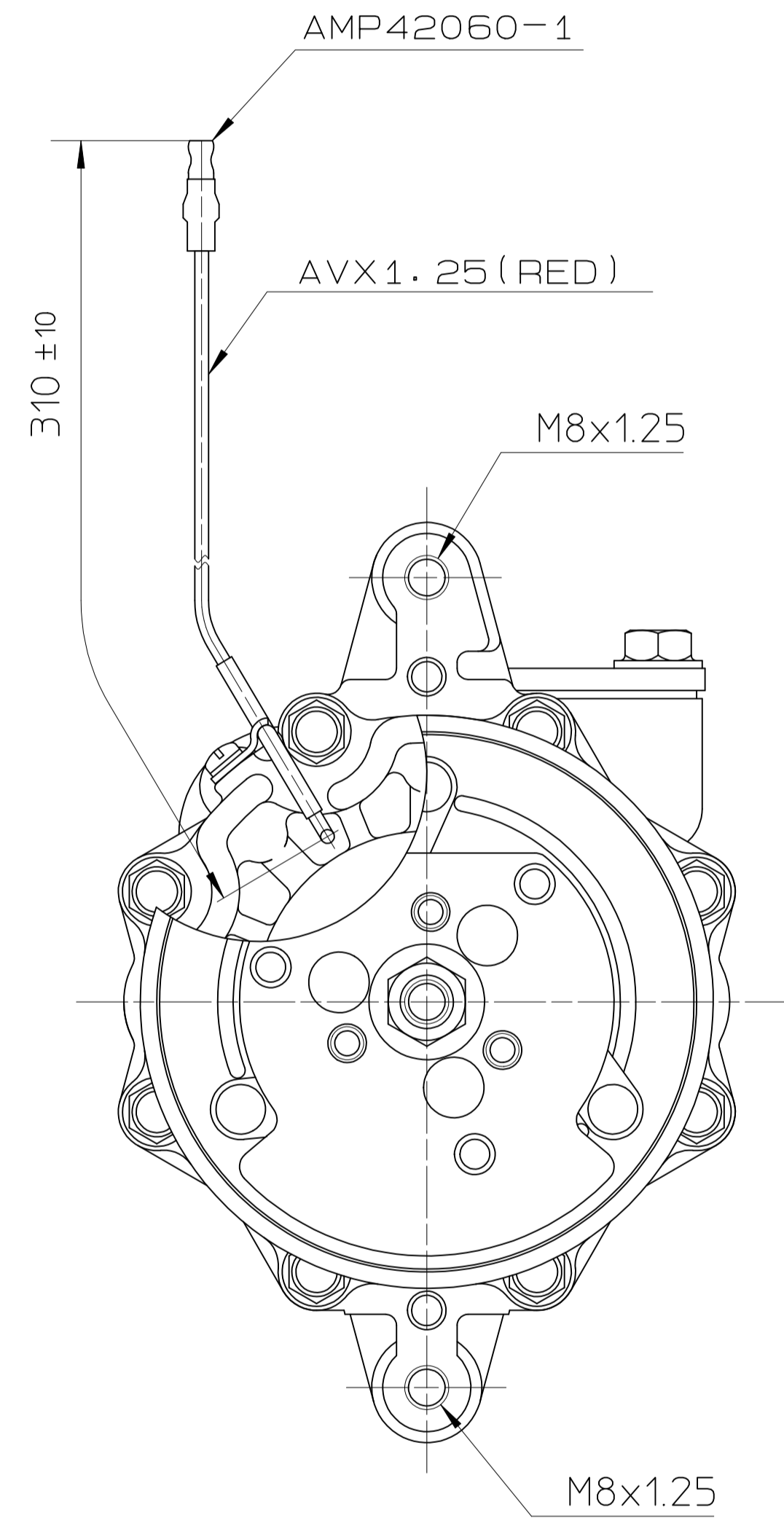
DETAIL OF ROTOR GROOVE (2:1)



VIEW A

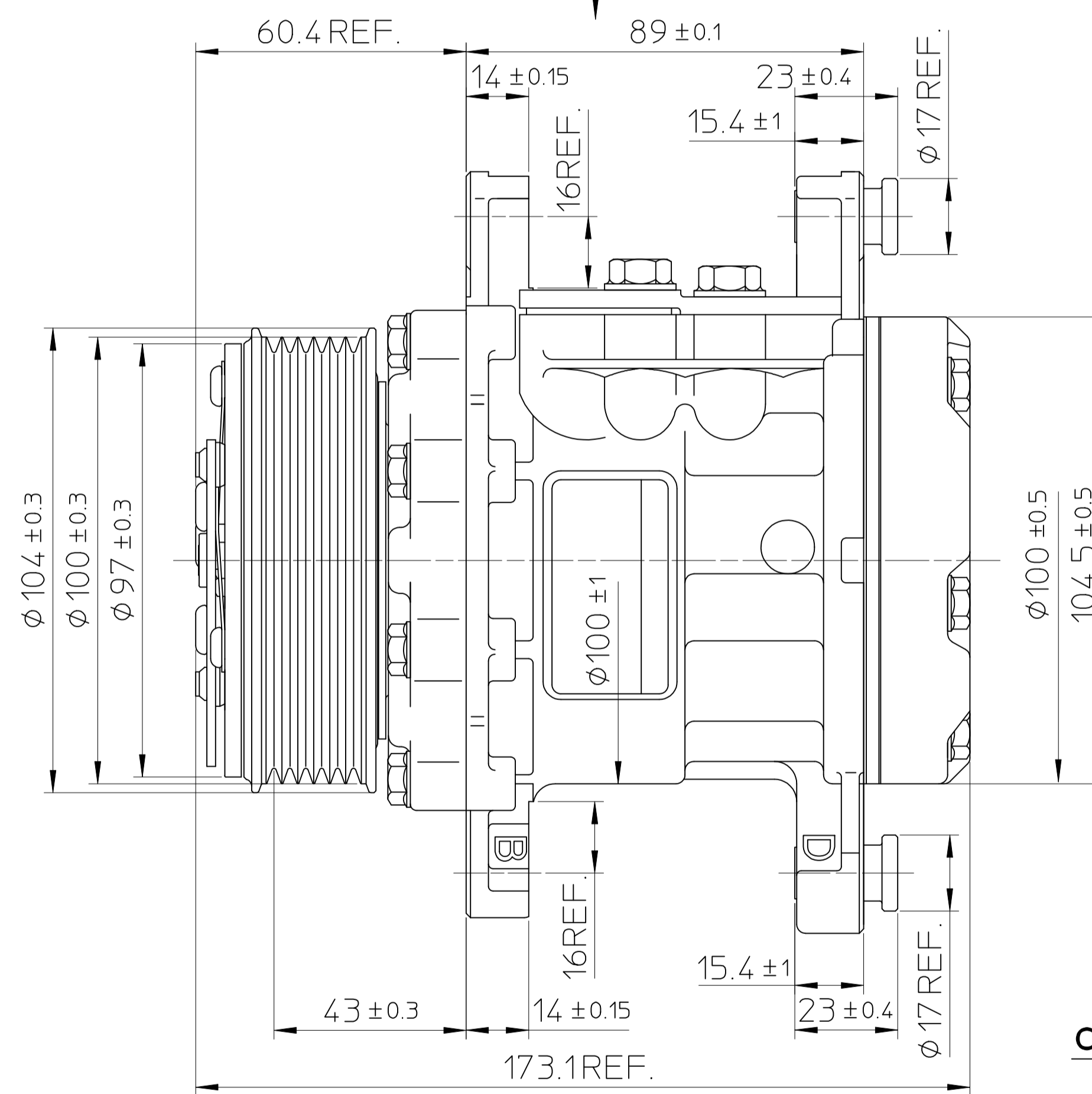


PARTIAL SECT. B-B



COMPRESSOR SPECIFICATIONS

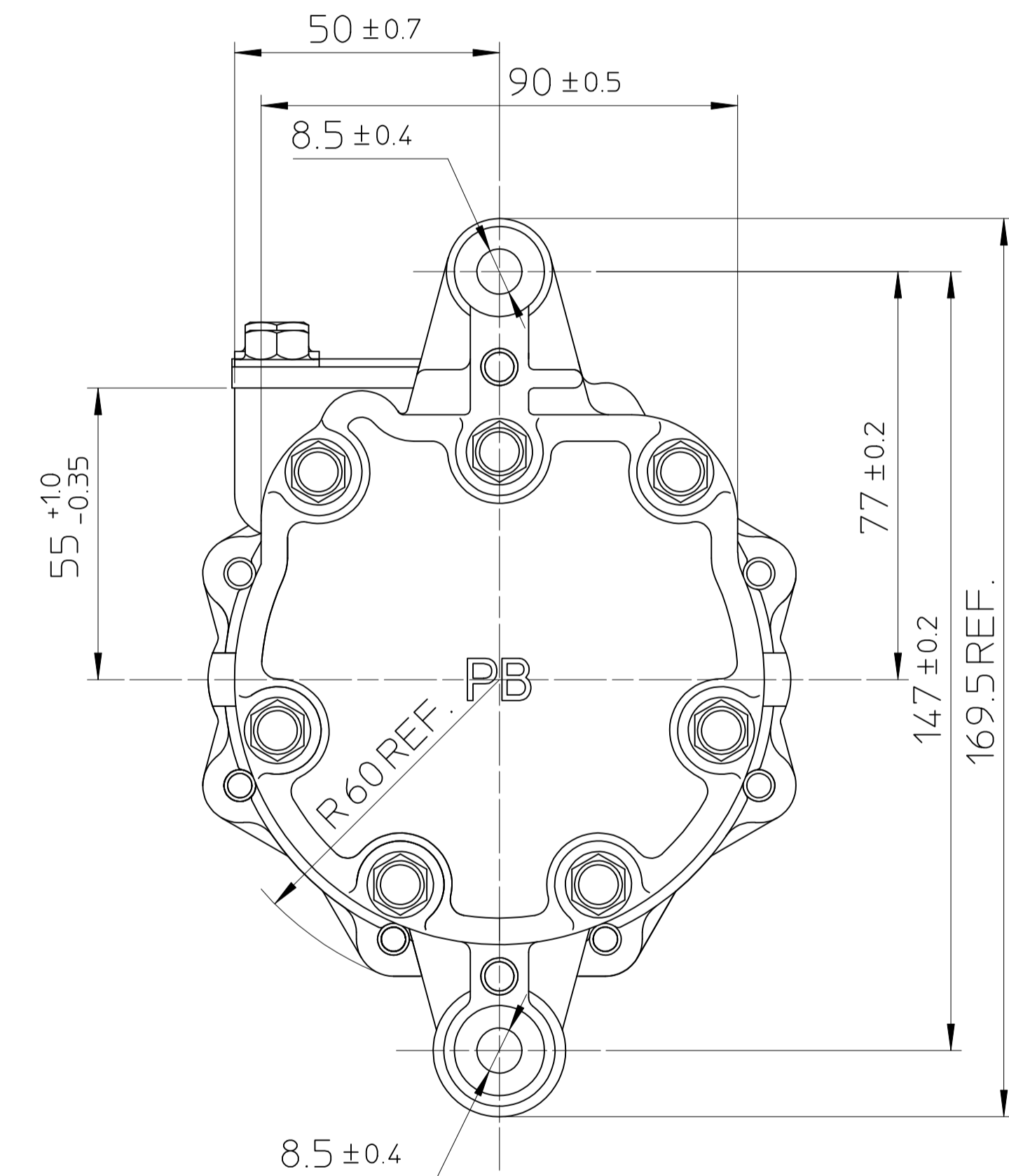
BORE	Ø 25.4	mm
STROKE	28.1	mm
DISPLACEMENT PER REVOLUTION	99.8	cc/rev.
ROTATION	CLOCKWISE	
NUMBER OF CYLINDERS	7	
MAXIMUM ALLOWABLE r.p.m.	9300	r.p.m.
MAXIMUM ALLOWABLE CONTINUOUS r.p.m.	6500	r.p.m.
REFRIGERANT	R134a	
OIL : SP-10 OR EQUIV.	100	cc
WEIGHT	2.8	kg



CLUTCH SPECIFICATIONS

RATED VOLTAGE	DC 12 V
BREAKAWAY TORQUE	2.35 kg-m
MINIMUM ENGAGEMENT VOLTAGE	7.5 V MAX.
POWER CONSUMPTION	43 W ( CU )
MAXIMUM ALLOWABLE r.p.m.	9300 r.p.m.
MAXIMUM ALLOWABLE CONTINUOUS r.p.m.	6500 r.p.m.
BELT TYPE	PV TYPE
PULLEY DIAMETER	Ø100 mm
WEIGHT	kg

\* BELT TENSION MAX. 12 Kg / GROOVE



7172

UNCONTROLLED COPY

NO.	REVISION RECORD	BY	DATE	MATERIAL	PART NO.	NAME
				THIRD ANGLE PROJECTION	7172	COMPRESSOR
				DESIGNED BY	SCALE	MODEL
				Y.Aoyama	1 : 1	SD7B10PB7172
				CHECKED BY	DATE	DRAWING NO.
				M.Iida	15. Oct. 1996	7172 - 6000
				APPROVED BY	DATE	
				H.Akabane	15. Oct. 1996	